



SERVICE MANUAL

Universal

MARINE DIESEL ENGINE

M3-20B

PUBLICATION NO. 200562
1st Edition/July 2001



WESTERBEKE CORPORATION • MYLES STANDISH INDUSTRIAL PARK
150 JOHN HANCOCK ROAD, TAUNTON, MA 02780-7319 U.S.A.
TEL: (508)823-7677 • FAX: (508)884-9688 • WEBSITE: WWW.WESTERBEKE.COM



**CALIFORNIA
PROPOSITION 65 WARNING**

Diesel engine exhaust and some of its constituents are known to the State of California to cause cancer, birth defects, and other reproductive harm.

⚠ WARNING:

Exhaust gasses contain Carbon Monoxide, an odorless and colorless gas. Carbon Monoxide is poisonous and can cause unconsciousness and death. Symptoms of Carbon Monoxide exposure can include:

- *Dizziness*
- *Nausea*
- *Headache*
- *Weakness and Sleepiness*
- *Throbbing in Temples*
- *Muscular Twitching*
- *Vomiting*
- *Inability to Think Coherently*

IF YOU OR ANYONE ELSE EXPERIENCE ANY OF THESE SYMPTOMS, GET OUT INTO THE FRESH AIR IMMEDIATELY. If symptoms persist, seek medical attention. Shut down the unit and do not restart until it has been inspected and repaired.



This WARNING DECAL is provided by UNIVERSAL and should be fixed to a bulkhead near your engine or generator. UNIVERSAL also recommends installing CARBON MONOXIDE DETECTORS in the living/sleeping quarters of your vessel. They are inexpensive and easily obtainable at your local marine store.

SAFETY INSTRUCTIONS

INTRODUCTION

Read these safety instructions carefully before servicing your engine. Most accidents are caused by failure to follow fundamental rules and precautions. Know when dangerous conditions exist and take the necessary precautions to protect yourself, your personnel, and your machinery.

The following safety instructions are in compliance with the American Boat and Yacht Council (ABYC) standards.

PREVENT ELECTRIC SHOCK

⚠ WARNING: Do not touch AC electrical connections while engine is running, or when connected to shore power. Lethal voltage is present at these connections!

- Do not operate this machinery without electrical enclosures and covers in place.
- Shut off electrical power before accessing electrical equipment.
- Use insulated mats whenever working on electrical equipment.
- Make sure your clothing and skin are dry, not damp (particularly shoes) when handling electrical equipment.
- Remove wristwatch and all jewelry when working on electrical equipment.
- Do not connect utility shore power to vessel's AC circuits, except through a ship-to-shore double throw transfer switch. Damage to vessel's AC generator may result if this procedure is not followed.
- Electrical shock results from handling a charged capacitor. Discharge capacitor by shorting terminals together with an insulated tool.

PREVENT BURNS — HOT ENGINE

⚠ WARNING: Do not touch hot engine parts or exhaust system components. A running engine gets very hot!

- Always check the engine coolant level at the coolant recovery tank.

⚠ WARNING: Steam can cause injury or death!

- In case of an engine overheat, allow the engine to cool before touching the engine or checking the coolant.

PREVENT BURNS — FIRE

⚠ WARNING: Fire can cause injury or death!

- Prevent flash fires. Do not smoke or permit flames or sparks to occur near the fuel line, filter, fuel pump, or other potential sources of spilled fuel or fuel vapors. Use a suitable container to catch all fuel when removing the fuel line or fuel filters.
- Do not operate with a Coast Guard Approved flame arrester removed. Backfire can cause severe injury or death.
- Do not operate with the air cleaner/silencer removed. Backfire can cause severe injury or death.
- Do not smoke or permit flames or sparks to occur near the fuel system. Keep the compartment and the engine clean and free of debris to minimize the chance of fire. Wipe up all spilled fuel and engine oil.
- Be aware — diesel fuel will burn.

PREVENT BURNS — EXPLOSION

⚠ WARNING: Explosions from fuel vapors can cause injury or death!

- Follow re-fueling safety instructions. Keep the vessel's hatches closed when fueling. Open and ventilate cabin after fueling. Check below for fumes/vapor before running the blower. Run the blower for four minutes before starting your engine.
- All fuel vapors are highly explosive. Use extreme care when handling and storing fuels. Store fuel in a well-ventilated area away from spark-producing equipment and out of the reach of children.
- Do not fill the fuel tank(s) while the engine is running.
- Shut off the fuel service valve at the engine when servicing the fuel system. Take care in catching any fuel that might spill. DO NOT allow any smoking, open flames, or other sources of fire near the fuel system or engine when servicing. Ensure proper ventilation exists when servicing the fuel system.
- Do not alter or modify the fuel system.
- Be sure all fuel supplies have a positive shutoff valve.
- Be certain fuel line fittings are adequately tightened and free of leaks.
- Make sure a fire extinguisher is installed nearby and is properly maintained. Be familiar with its proper use. Extinguishers rated ABC by the NFPA are appropriate for all applications encountered in this environment.

SAFETY INSTRUCTIONS

ACCIDENTAL STARTING

⚠ WARNING: Accidental starting can cause injury or death!

- Disconnect the battery cables before servicing the engine. Remove the negative lead first and reconnect it last.
- Make certain all personnel are clear of the engine before starting.
- Make certain all covers, guards, and hatches are re-installed before starting the engine.

BATTERY EXPLOSION

⚠ WARNING: Battery explosion can cause injury or death!

- Do not smoke or allow an open flame near the battery being serviced. Lead acid batteries emit hydrogen, a highly explosive gas, which can be ignited by electrical arcing or by lit tobacco products. Shut off all electrical equipment in the vicinity to prevent electrical arcing during servicing.
- Never connect the negative (-) battery cable to the positive (+) connection terminal of the starter solenoid. Do not test the battery condition by shorting the terminals together. Sparks could ignite battery gases or fuel vapors. Ventilate any compartment containing batteries to prevent accumulation of explosive gases. To avoid sparks, do not disturb the battery charger connections while the battery is being charged.
- Avoid contacting the terminals with tools, etc., to prevent burns or sparks that could cause an explosion. Remove wristwatch, rings, and any other jewelry before handling the battery.
- Always turn the battery charger off before disconnecting the battery connections. Remove the negative lead first and reconnect it last when servicing the battery.

BATTERY ACID

⚠ WARNING: Sulfuric acid in batteries can cause severe injury or death!

- When servicing the battery or checking the electrolyte level, wear rubber gloves, a rubber apron, and eye protection. Batteries contain sulfuric acid which is destructive. If it comes in contact with your skin, wash it off at once with water. Acid may splash on the skin or into the eyes inadvertently when removing electrolyte caps.

TOXIC EXHAUST GASES

⚠ WARNING: Carbon monoxide (CO) is a deadly gas!

- Ensure that the exhaust system is adequate to expel gases discharged from the engine. Check the exhaust system regularly for leaks and make sure the exhaust manifold/water-injected exhaust elbow is securely attached.
- Be sure the unit and its surroundings are well ventilated. Run blowers when running the generator set or engine.
- Don't run the generator set or engine unless the boat is equipped with a functioning marine carbon monoxide detector that complies with ABYC A-24. Consult your boat builder or dealer for installation of approved detectors.
- For additional information refer to ABYC T-22 (educational information on Carbon Monoxide).

⚠ WARNING: Carbon monoxide (CO) is an invisible odorless gas. Inhalation produces flu-like symptoms, nausea or death!

- Do not use copper tubing in diesel exhaust systems. Diesel fumes can rapidly destroy copper tubing in exhaust systems. Exhaust sulfur causes rapid deterioration of copper tubing resulting in exhaust/water leakage.
- Do not install exhaust outlet where exhaust can be drawn through portholes, vents, or air conditioners. If the engine exhaust discharge outlet is near the waterline, water could enter the exhaust discharge outlet and close or restrict the flow of exhaust. Avoid overloading the craft.
- Although diesel engine exhaust gases are not as toxic as exhaust fumes from gasoline engines, carbon monoxide gas is present in diesel exhaust fumes. Some of the symptoms or signs of carbon monoxide inhalation or poisoning are:
 - Dizziness Throbbing in temples
 - Headache Muscular twitching
 - Nausea Weakness and sleepiness
 - Vomiting Inability to think coherently

AVOID MOVING PARTS

⚠ WARNING: Rotating parts can cause injury or death!

- Do not service the engine while it is running. If a situation arises in which it is absolutely necessary to make operating adjustments, use extreme care to avoid touching moving parts and hot exhaust system components.

SAFETY INSTRUCTIONS

- Do not wear loose clothing or jewelry when servicing equipment; tie back long hair and avoid wearing loose jackets, shirts, sleeves, rings, necklaces or bracelets that could be caught in moving parts.
- Make sure all attaching hardware is properly tightened. Keep protective shields and guards in their respective places at all times.
- Do not check fluid levels or the drive belt's tension while the engine is operating.
- Stay clear of the drive shaft and the transmission coupling when the engine is running; hair and clothing can easily be caught in these rotating parts.

HAZARDOUS NOISE

 **WARNING: High noise levels can cause hearing loss!**

- Never operate an engine without its muffler installed.
- Do not run an engine with the air intake (silencer) removed.
- Do not run engines for long periods with their enclosures open.

 **WARNING: Do not work on machinery when you are mentally or physically incapacitated by fatigue!**

OPERATORS MANUAL

Many of the preceding safety tips and warnings are repeated in your Operators Manual along with other cautions and notes to highlight critical information. Read your manual carefully, maintain your equipment, and follow all safety procedures.

ENGINE INSTALLATIONS

Preparations to install an engine should begin with a thorough examination of the American Boat and Yacht Council's (ABYC) standards. These standards are a combination of sources including the USCG and the NFPA.

Sections of the ABYC standards of particular interest are:

- H-2 Ventilation
- P-1 Exhaust systems
- P-4 Inboard engines
- E-9 DC Electrical systems

All installations must comply with the Federal Code of Regulations (FCR).

ABYC, NFPA AND USCG PUBLICATIONS FOR INSTALLING DIESEL ENGINES

Read the following ABYC, NFPA and USCG publications for safety codes and standards. Follow their recommendations when installing your engine.

ABYC (American Boat and Yacht Council)

Safety Standards for Small Craft

Order from:

ABYC
3069 Solomons Island Rd.
Edgewater, MD 21037

NFPA (National Fire Protection Association)

Fire Protection Standard for Motor Craft

Order from:

NFPA
11 Tracy Drive
Avon Industrial Park
Avon, MA 02322

USCG (United States Coast Guard)

USCG 33CFR183

Order from:

U.S. Government Printing Office
Washington, D.C. 20404

INSTALLATION

When installing UNIVERSAL engines, it is important that strict attention be paid to the following information:

CODES AND REGULATIONS

Federal regulations, ABYC guidelines and safety codes must be complied with when installing engines and generators in a marine environment.

SIPHON-BREAK

For installations where the exhaust manifold/water-injected exhaust elbow is close to or will be below the vessel's waterline, provisions *must* be made to install a siphon-break in the raw water supply hose to the exhaust elbow. This hose *must* be looped a minimum of 20 in. (51 cm) above the vessel's waterline. *Failure to use a siphon-break when the exhaust manifold injection port is at or below the load waterline will result in raw water damage to the engine and possible flooding of the boat.*

If you have any doubt about the position of the water-injected exhaust elbow relative to the vessel's waterline under any of the vessel's various operating conditions or when the vessel is not underway, *install a siphon-break*. This precaution is necessary to protect your engine.

NOTE: *A siphon-break requires periodic inspection and cleaning to ensure proper operation. Failure to properly maintain a siphon-break can result in catastrophic engine damage. Consult the siphon-break manufacturer for a proper maintenance schedule.*

EXHAUST SYSTEM

The exhaust hose must be certified for marine use. The system must be designed to prevent water from entering the exhaust under any sea conditions and at any angle of the vessel's hull.

A detailed 40-page Marine Installation Manual covering gasoline and diesel, engines and generators, is available from your UNIVERSAL dealer.



TABLE OF CONTENTS

Introduction.....	2
Parts Identification.....	3
Specifications.....	4
Testing for Overhaul.....	6
Engine Troubleshooting.....	7
Service Standards.....	15
Engine Description.....	18
Engine Disassembly & Reassembly.....	21
Engine Service.....	31
Engine Adjustments.....	44
Exhaust Manifold Service.....	48
Lubrication System Description.....	49
Lubrication System Service.....	52
Cooling System Description.....	54
Cooling System Service.....	56
Fuel System Description.....	58
Fuel System Disassembly & Reassembly.....	63
Fuel System Service.....	64
Admiral Control Panel.....	67
Captain Control Panel.....	68
Control Panel Troubleshooting.....	69
Glow Plug Service.....	71
Starter Service.....	72
Mando Alternator Service.....	78
Prestolite Alternator Service.....	88
Wiring Diagram #39144.....	100
Wiring Schematic #39144.....	101
Wiring Diagram #200360 – Catalina Yachts.....	102
Wiring Schematic #200360 – Catalina Yachts.....	103
Hurth HBW Transmissions.....	104
Transmission Troubleshooting.....	107
Special Tools.....	108
Torques.....	110
Standard Hardware; Sealants & Lubricants.....	111
Metric Conversions.....	112
Standard and Metric Conversion Data.....	113
Index.....	114

INTRODUCTION

ENGINE OVERHAUL

This service manual contains detailed information relating to the servicing and overhaul of the Universal M3-20B marine diesel engine. Information about the construction and function of the various systems and components can be found in the *Description* sections. For the major engine overhaul procedure, refer to the *ENGINE DISASSEMBLY & REASSEMBLY* and *ENGINE SERVICE* sections. Additional service information for specific components and systems may be found by referring to the *TABLE OF CONTENTS* and the *INDEX*. Refer also to your UNIVERSAL parts Catalog.

These service procedures are intended for the guidance of suitably equipped and staffed marine engine service and rebuilding facilities, and should only be undertaken by such facilities and their personnel.

PRODUCT SOFTWARE

Product software (tech data, parts lists, manuals, brochures and catalogs) provided from sources other than UNIVERSAL are not within UNIVERSAL'S CONTROL.

UNIVERSAL CANNOT BE RESPONSIBLE FOR THE CONTENT OF SUCH SOFTWARE, MAKES NO WARRANTIES OR REPRESENTATIONS WITH RESPECT THERETO, INCLUDING ACCURACY, TIMELINESS OR COMPLETENESS THEREOF AND WILL IN NO EVENT BE LIABLE FOR ANY TYPE OF DAMAGE OR INJURY INCURRED IN CONNECTION WITH OR ARISING OUT OF THE FURNISHING OR USE OF SUCH SOFTWARE.

UNIVERSAL customers should also keep in mind the time span between printings of UNIVERSAL product software and the unavoidable existence of earlier UNIVERSAL manuals. Product software provided with UNIVERSAL products, whether from UNIVERSAL or other suppliers, must not and cannot be relied upon exclusively as the definitive authority on the respective product. It not only makes good sense but is imperative that appropriate representatives of UNIVERSAL or the supplier in question be consulted to determine the accuracy and currentness of the product software being consulted by the customer.

NOTES, CAUTIONS AND WARNINGS

As this manual takes you through the service procedures and troubleshooting of your marine engine, critical information will be highlighted by *NOTES*, *CAUTIONS*, and *WARNINGS*. An explanation follows:

NOTE: An operating procedure essential to note.

CAUTION: Procedures, which if not strictly observed, can result in the damage or destruction of your engine.

WARNING: Procedures, which if not properly followed, can result in personal injury or loss of life.

CUSTOMER IDENTIFICATION CARD



Customer Identification

UNIVERSAL OWNER
MAIN STREET
HOMETOWN, USA

Model M3-20B

Ser. #XXXX-D608

Expires 9/12/01

The UNIVERSAL engine serial number is an alphanumeric number that can assist in determining the date of manufacture of your UNIVERSAL engine. The manufacturer's date code is placed at the end of the engine serial number and consists of a character followed by three numbers. The character indicates the decade (D=1990s, E=2000s), the first number represents the year in the decade, and the second and third numbers represent the month of manufacture.

ORDERING PARTS/SERIAL NUMBER LOCATION

Whenever replacement parts are needed, always provide the engine model number and engine serial number as they appear on the silver and black identification nameplate located on the side of the engine's exhaust manifold. The engine serial number can also be found stamped into the engine block on the left side of the engine below the cylinder head cover. You must provide us with this information so we may properly identify your engine. In addition, include a complete part description and part number for each part needed (see the separately furnished Parts List). Also insist upon UNIVERSAL packaged parts because *will fit* or generic parts are frequently not made to the same specifications as original equipment.

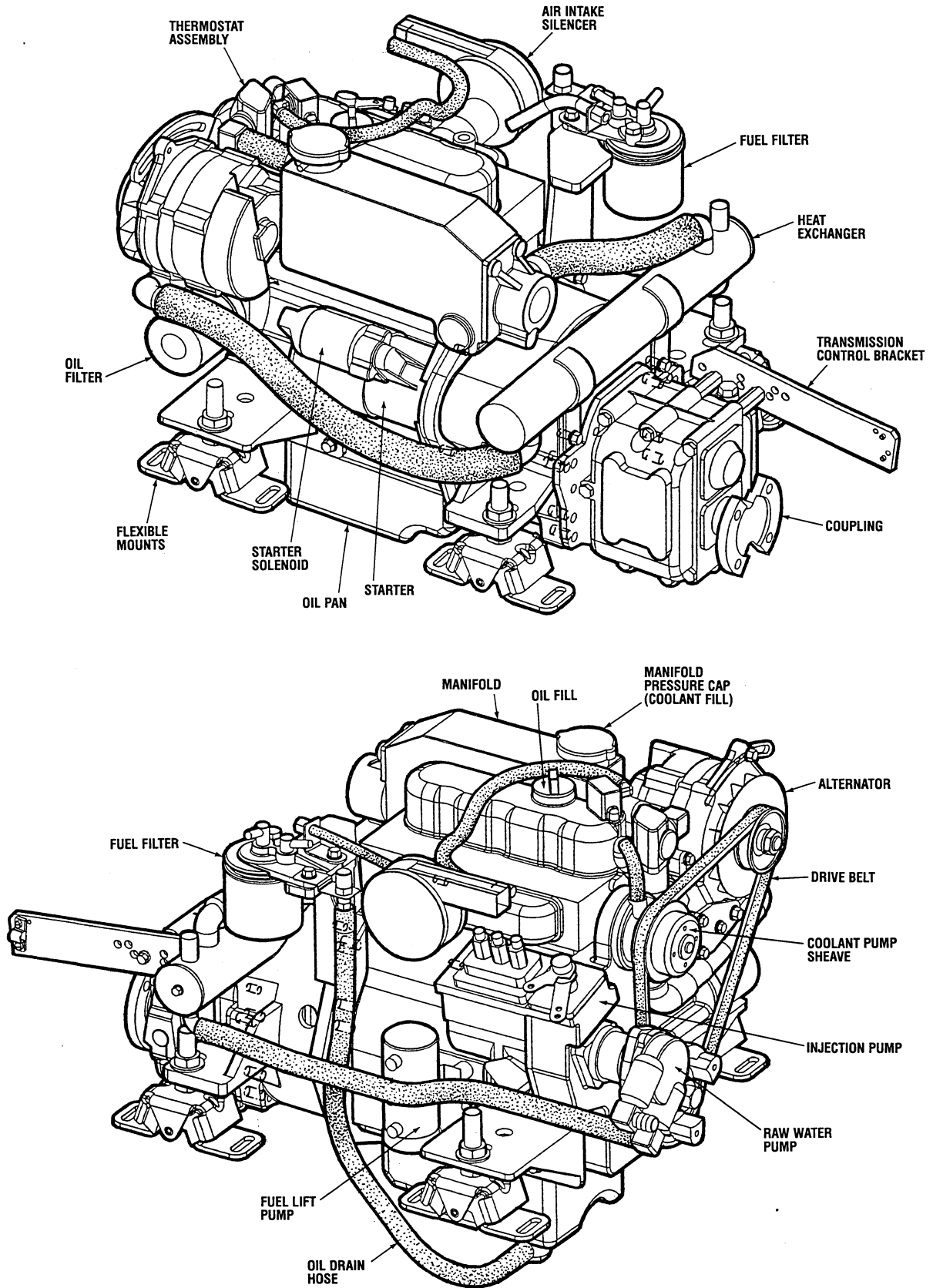


NOTE: Component locations in this manual are referenced from the front of the engine which is the pulley/drive belt end. Left and right sides are determined as follows: imagine straddling the engine, facing in the same direction as the front of the engine: the left side is at your left, the right side is at your right. The cylinder number sequence starts with the No. 1 cylinder located at the front of the engine.



PARTS IDENTIFICATION

MODEL M3-20B



SPECIFICATIONS

UNIVERSAL MODEL M3-20B	
ENGINE	
Engine Type	Diesel, four-cycle, fresh water cooled, vertical, in-line overhead valve mechanism
Horsepower	20 @ 3600 rpm
Cylinders	3
Aspiration	Naturally aspirated
Bore & Stroke	2.64 x 2.68 in. (67 x 68 mm)
Combustion Chamber	Spherical type; three vortex combustion system
Displacement	43.8 cu. in. (0.7177 liters)
Compression Ratio	23:1
Firing Order	1 - 2 - 3
Crankshaft Direction of Rotation	Counterclockwise as viewed from flywheel end
Maximum Torque	33 ft-lbs (4.6 kg-m) @ 2500 rpm
Dry Weight, with Transmission	241 lbs (110 kg)
Dimensions	Length: 26.4 in. (670.6 mm) Width: 18.8 in. (477.5 mm) Height: 20.1 in. (510.6 mm)
Maximum Angle of Installation	Not to exceed 14° (24 rad.)
Maximum Angle of Rotation	Not to exceed 25° (44 rad.)
Engine Speed	Idle speed: 1,000 – 1,200 rpm. Cruise Speed: 2,500 – 3,000 rpm. Maximum Speed: 3,500 – 3,600 rpm.
Engine Timing	18° (0.314 rad.) before T.D.C.
Engine Stop	Manual
LUBRICATION SYSTEM	
Type of System	Forced lubrication by gear pump
Oil Grade	API Specification CF or CG-4, SAE 30, 10W-30, 15W-40
Oil Filter	Full-flow, spin-on filter element
Lubricant Capacity	4.0 qts (3.8 liters)
Operating Oil Pressure (Engine Hot)	40-60 psi (2.8 – 4.2 kg/cm ²) (276-414 kPa)
FUEL SYSTEM	
Type of System	Open flow, self priming
Fuel	No. 2 Diesel Oil, cetane rating of 45 or higher
Fuel Injection Pump	Bosch in-line plunger type
Fuel Injectors	Bosch throttle type
Governor	Centrifugal ball mechanical type
Fuel Lift Pump	12 volt 5 ft. lift capacity, solid state
Fuel Filter	Full flow, spin-on element
Fuel Supply & Return Piping	1/8 in. I.D. (3.18 mm) minimum; 3/8 in. I.D. (9.52 mm) maximum
Typical Fuel Consumption @ 3000 rpm	0.75 gal./hr. (2.83 liters/hr.)
Air Intake Silencer	Cleanable, replaceable filter element
Air Flow @ 3600 rpm (Engine Combustion)	45.8 cubic feet/minute (1.3 cubic meters/minute)

(continued)

SPECIFICATIONS

UNIVERSAL MODEL M3-20B	
COOLING SYSTEM	
Type of System	Fresh water cooled block, thermostatically controlled with raw water heat exchanger and centrifugal fresh water pump
Operating Temperature	170° – 190° F (77° – 88°C)
Coolant Pump	Centrifugal type, metal impeller, belt-driven
Coolant Capacity	3.75 quarts (3.50 liters)
Raw Water Pump	Positive displacement, neoprene impeller, gear driven
Raw Water Flow @ 3000 rpm before discharge into exhaust elbow	7.0 gal/min. (26.5 liters/min.)
ELECTRICAL SYSTEM	
Starting Battery	12 volt DC, negative ground
Battery Capacity	400 – 600 cold cranking amps (CCA)
Alternator/Regulator	Mando, 51 amp, 12 volt, belt-driven, with internal regulator
Starter Motor	12 volt, reduction gear, actuated shift, with solenoid
Starting Aid	12 volt sheathed type glow plugs
TRANSMISSION	
Model	HURTH HBW-50-2R
Type of Transmission	Case-hardened helical gears, with a servo-operated multiple disc clutch
Gear Ratio Forward (Std)	2.05:1
Propeller Shaft Rotation	Right hand – standard transmission
Lubrication Fluid	ATF type A, Dextron II or Dextron III
Transmission Sump Capacity	0.37 qt. (0.35 liter)

TESTING FOR OVERHAUL

HOW TO DETERMINE WHEN TO OVERHAUL THE ENGINE

Cause of Low Compression

Generally, the time at which an engine should be overhauled is determined by various conditions such as lowered engine power output, decreased compression pressure, and increased fuel and oil consumption. The lowered engine power output, in the case of diesel engines, is not necessarily due to trouble with the engine itself, but is sometimes caused by injector nozzle wear or injection pump wear. It is most reasonable to judge by a decrease in compression pressure. The decrease in compression pressure is caused by many factors. It is, therefore, necessary to determine a cause or causes on the basis of data produced by periodic inspection and maintenance. Oil analysis on a seasonal basis is a good means of monitoring engine internal wear. When caused by worn cylinders or piston rings, the following symptoms will occur:

- Low engine power output
- Increased fuel consumption
- Increased oil consumption
- Hard engine starting
- Noisy engine operation

These symptoms often appear together. Increased fuel consumption and hard engine starting can also result from excessive fuel injection, improper injection timing, and wear of the injection pump and nozzles. They are also caused by defective electrical components such as the battery, alternator, starter and glow plugs. Therefore it is desirable to judge the optimum engine overhaul time by the lowered compression pressure caused by worn cylinders and piston rings plus increased oil consumption. In diesel engines, satisfactory combustion is obtained only under sufficient compression pressure. If an engine lacks compression pressure, incomplete combustion of fuel will take place even if other parts of the engine are operating properly. To determine the period of engine overhaul, it is important to measure the engine compression pressure regularly. At the same time, the engine speed at which the measurement of compression pressure is made should be checked because the compression pressure varies with engine rpm. The engine rpm can be measured at the front end of the crankshaft.

Measuring Compression Pressure

To check the compression pressure, see *ENGINE COMPRESSION TEST* under *ENGINE ADJUSTMENTS*.

NOTE: Do not guess the conditions of other cylinders from a result of testing one cylinder. Be sure to measure the compression pressure for each cylinder. Look for cylinders with dramatically (at least 20%) lower compression than the average of the other cylinders. If the weak cylinder is flanked by healthy cylinders, the problem is either valve- or head-gasket related. Very low compression in an adjacent cylinder indicates gasket failure. Abnormally high readings on all cylinders indicate heavy carbon accumulations, a condition that might be accompanied by high pressures and noise.

NOTE: In case of severe vibrations and detonation noise, have the injectors overhauled by an authorized fuel injection service center. Poor fuel quality, contaminants, and loss of positive fuel pressure to the injection pump will result in injector faults.

OVERHAUL CONDITIONS

Compression pressure tends to increase a little in a new engine until the piston rings and valve seats have been broken in. Thereafter, it decreases gradually with the progressive wear of these parts.

When the decrease of compression pressure reaches its limit (see *SERVICE STANDARDS*), the engine must be overhauled. The engine also requires an overhaul when oil consumption is high, when blowby is evident, and when compression values are at a minimum or below.

NOTE: Refer to the *SERVICE STANDARDS* chart during an engine overhaul. It gives the measurements and values for the repair or replacement of the engine components.

NOTE: The *ENGINE TROUBLESHOOTING* section may be helpful in determining the need for an engine overhaul.

ENGINE TROUBLESHOOTING

The following troubleshooting table describes certain problems relating to engine service, the probable causes of these problems, and the recommendations to overcome these problems.

NOTE: *The engine's electrical system is protected by a 20 ampere manual reset circuit breaker located on a bracket. The preheat solenoid is mounted on the same bracket.*

PROBLEM	PROBABLE CAUSE	VERIFICATION/REMEDY
HARD STARTING	LOW CRANKING SPEED 1. Engine oil viscosity too high. 2. Run-down battery. 3. Worn battery. 4. Battery terminals loosely connected. 5. Defective starter.	1. Replace engine oil with less viscous oil. 2. Recharge battery. 3. Replace battery. 4. Clean terminals and tighten cables. 5. Repair or replace starter.
	DEFECTIVE FUEL INJECTION SYSTEM 1. No fuel at injectors. a. No fuel in fuel tank and/or fuel shutoff. b. Fuel filter or fuel line clogged. c. Injection pump faulty. d. Loose injection line retaining nut. 2. Fuel injectors faulty; inadequate spray. 3. Low injection pressure. 4. Injection timing incorrect. 5. Poor quality fuel. 6. Water and/or air in fuel system.	1. Check a. through e. a. Fill fuel tank. Open shutoff and bleed system. b. Replace filter and bleed. Clean fuel line. c. Inspect pump. Repair or replace pump as needed. d. Tighten nut. 2. Remove and test nozzles. Repair nozzles as needed. 3. Adjust injection pressure. 4. Check and adjust timing. 5. Drain and replace with proper fuel. 6. Remove water and/or bleed air from fuel system. Check fuel system for leaks and fuel tank for water contamination.
	MAIN ENGINE TROUBLES 1. Low compression. a. Leaking compression from fuel injector gasket. b. Incorrect valve clearance. c. Inadequate contact of valve seat. d. Valve stem seized. e. Weak or broken valve spring. f. Bent push rod. g. Compression leaks through cylinder head gasket. h. Cracked or worn piston. i. Piston ring seized. j. Worn piston ring or cylinder liner. k. Cracked or distorted cylinder head. l. Fuel camshaft worn. 2. Carbon accumulation in combustion chamber.	1. Check a. through k. a. Tighten fuel injector or replace gasket. b. Adjust valve clearance. c. Lap valve. d. Replace valve and valve guide. e. Replace valve spring. f. Replace push rod. g. Replace gasket. h. Replace piston. i. Replace piston and piston ring. j. Replace piston ring or cylinder liner. k. Replace cylinder head. l. Replace fuel camshaft. 2. Clean.

(continued)

ENGINE TROUBLESHOOTING

PROBLEM	PROBABLE CAUSE	VERIFICATION/REMEDY
ENGINE IDLING TOO LOW	<ol style="list-style-type: none"> 1. Idle speed too low. 2. Fuel filter clogged. 3. Incorrect injection pump timing. 4. High pressure injection line leaking. 5. Fuel injector leaking at sealing gasket in head. 6. Injection nozzle not operating properly. 7. Engine air intake obstructed. 	<ol style="list-style-type: none"> 1. Adjust idle stop as needed. 2. Replace filter and bleed fuel system. 3. Check timing and adjust as needed. 4. Slacken attaching nut and retighten. 5. Retighten injector and/or replace sealing washer. 6. Check nozzle and adjust as needed. 7. Check air intake silencer and air flow into engine compartment.
ROUGH IDLING	<p style="text-align: center;">MALFUNCTION OF ENGINE-RELATED COMPONENTS</p> <ol style="list-style-type: none"> 1. Improper valve clearance. 2. Poor valve to valve seat contact. 3. Failure of cylinder head gasket. 4. Governor malfunctioning. 	<ol style="list-style-type: none"> 1. Adjust clearance. 2. Repair or replace valve. 3. Replace gasket. 4. Repair governor.
	<p style="text-align: center;">FUEL INJECTION SYSTEM PROBLEM</p> <ol style="list-style-type: none"> 1. Faulty idling speed. 2. Faulty injection timing. 3. Clogged fuel line or fuel filter. 4. Leak in fuel line or fuel filter. 5. Air in injector, fuel line, injection pump, fuel filter or fuel filter/water separator. 6. Seized or leaky delivery valve. 7. Faulty injection starting pressure. 8. Injection nozzle malfunction. 9. Feed pump malfunction. 10. Injection pump malfunction. 	<ol style="list-style-type: none"> 1. Adjust idling speed. 2. Adjust injection timing. 3. Clean fuel line or replace fuel filter. 4. Repair fuel line or replace fuel filter. 5. Bleed air. 6. Clean or replace delivery valve. 7. Adjust starting pressure. 8. Clean or replace injection nozzle. 9. Clean or replace feed pump. 10. Take to a fuel injection pump service facility, or replace the pump.
ENGINE SLOWS AND STOPS	<ol style="list-style-type: none"> 1. Fuel lift pump failure. 2. Switches and/or wiring loose or disconnected. 3. Fuel starvation. 4. 20 amp circuit breaker tripping. 5. Exhaust system is restricted. 6. Water in fuel. 	<ol style="list-style-type: none"> 1. Check fuel lift pump operation. 2. Inspect wiring for short circuits and loose connections. Inspect switches for proper operation. 3. Check fuel supply, fuel valves, fuel lift pump. 4. Check for high DC amperage draw during operation. Ensure breaker is not overly sensitive to heat which would cause tripping. 5. Check for blockage, collapsed hose, carbon buildup at exhaust elbow. 6. Pump water from fuel tank(s); change filters and bleed fuel system.

(continued)

ENGINE TROUBLESHOOTING

PROBLEM	PROBABLE CAUSE	VERIFICATION/REMEDY
LOW OUTPUT	LOW COMPRESSION	See <i>Low Compression</i> under <i>HARD STARTING</i> .
	INJECTION SYSTEM OUT OF ADJUSTMENT 1. Incorrect injection timing. 2. Insufficient injection. 3. Low injection pressure.	1. Adjust injection timing. 2. Repair or replace injection pump. 3. Check injection nozzle and adjust pressure.
	INSUFFICIENT FUEL 1. Air trapped in fuel system. 2. Clogged filter. 3. Contaminated or inferior fuel. 4. Contaminated fuel tank.	1. Bleed and check for source. 2. Clean or replace filter element. 3. Purge fuel system and replace with quality fuel. 4. Clean fuel tank.
	OVERHEATING 1. Low coolant level. 2. Loose V-belt. 3. Incorrect injection timing. 4. Low engine oil level.	1. Add coolant. 2. Adjust or replace V-belt. 3. Adjust injection timing. 4. Add engine oil.
	OTHER 1. Insufficient intake air.	1. Increase engine compartment air supply.
KNOCKING	ENGINE KNOCKS WITHOUT MUCH SMOKE 1. Main engine troubles. a. Overheated cylinder. b. Carbon deposits in cylinder. 2. Injection timing too early. 3. Injection pressure too high. 4. Improper fuel.	1. Check a. and b. a. See <i>ENGINE OVERHEATS/SHUTS DOWN; LOW OUTPUT</i> . b. Clean. 2. Correct the timing. 3. Correct the pressure. 4. Replace with proper fuel.
	KNOCKING WITH DARK SMOKE 1. Poor compression. 2. Injection pump malfunctioning. 3. Nozzle malfunctioning. a. Poor spray. b. Chattering. c. After-injection drip. d. Nozzle needle valve seized.	1. See <i>Low Compression</i> under <i>HARD STARTING</i> . 2. Adjust/Repair. 3. Check a. through d. a. Clean or replace nozzle. b. Repair or replace nozzle. c. Repair or replace nozzle. d. Replace needle valve.
ABNORMAL SOUND OR NOISE	CRANKSHAFT AND MAIN BEARING 1. Badly worn main bearing. 2. Badly worn crankshaft. 3. Melted bearing. 4. Excessive crankshaft end play.	1. Replace bearing and grind crankshaft. 2. Grind crankshaft. 3. Replace bearing and check lubrication system. 4. Repair or replace crankshaft.

(continued)

ENGINE TROUBLESHOOTING

PROBLEM	PROBABLE CAUSE	VERIFICATION/REMEDY
ABNORMAL SOUND OR NOISE (Cont'd)	CONNECTING ROD AND CONNECTING ROD BEARING 1. Worn connecting rod big end bearing. 2. Worn crankpin. 3. Bent connecting rod. 4. Excessive connecting rod bearing oil clearance. 5. Connecting rod bearing seized or heat-damaged.	1. Replace bearing. 2. Grind crankshaft. 3. Correct bend or replace. 4. Repair or replace bearing. 5. Replace bearing.
	PISTON, PISTON PIN, PISTON RING, CYLINDER LINER 1. Worn cylinder liner. 2. Worn piston or piston pin. 3. Piston seized. 4. Piston seized and ring worn or damaged.	1. Repair or replace liner. 2. Replace piston. 3. Replace piston and rebore cylinder. 4. Replace piston and rings.
	VALVES OR TIMING-RELATED PARTS 1. Worn camshaft. 2. Excessive valve clearance. 3. Worn timing gear. 4. Broken valve spring. 5. Excessive clearance between rocker arm and bushing. 6. Excessive clearance between idler gear bushing and spindle.	1. Replace camshaft. 2. Adjust valve clearance. 3. Replace timing gear. 4. Replace valve spring. 5. Replace bushing. 6. Replace bushing.
	FUEL SYSTEM 1. Poor quality and/or incorrect fuel. 2. Incorrect injection timing. Timing too advanced. 3. Fuel injector stuck open.	1. Use No. 2 diesel fuel. 2. Check and correct injection timing. 3. Locate and remove faulty injector. Rebuild or replace.
	OTHER 1. Coolant pump bearing worn or seized. 2. Improper drive-belt tension. 3. Malfunction of alternator bearing. 4. Exhaust gas leakage.	1. See <i>Coolant Pump</i> under <i>COOLING SYSTEM</i> . 2. Adjust. 3. See <i>Alternator Troubleshooting</i> under <i>DC ELECTRICAL SYSTEM</i> . 4. Repair.
ROUGH OPERATION (HUNTING)	INJECTION PUMP 1. Uneven injection. 2. Inadequate injection nozzle spray.	1. Adjust injection or replace parts. 2. Replace injection nozzle.
	GOVERNING SYSTEM 1. Governor lever malfunctioning. 2. Fatigued governor spring.	1. Check governor shaft and adjust. 2. Replace spring.

(continued)

ENGINE TROUBLESHOOTING

PROBLEM	PROBABLE CAUSE	VERIFICATION/REMEDY
SMOKY EXHAUST	WHITISH OR PURPLISH 1. Engine is running cold. 2. Excessive engine oil. 3. Excessive rise of oil into combustion chamber. a. Poor piston contact. b. Piston ring or liner worn or seized. c. Excessive piston-to-cylinder clearance. d. Worn valve stem and valve guide. e. Low engine oil viscosity. f. Excessive oil pressure. 4. Injection timing is too late. 5. Insufficient compression.	1. Warm-up engine. 2. Correct oil level. 3. Check a. through f. a. Check. b. Clean or replace. c. Correct or replace. d. Replace valve stem and guide. e. Replace engine oil. f. Inspect the lubrication system. See <i>LUBRICATION SYSTEM</i> . 4. Adjust timing. 5. See <i>Low Compression</i> under <i>HARD STARTING</i> .
	BLUE 1. Incorrect grade of engine oil. 2. Crankcase is overfilled with engine oil (oil is blowing out through the exhaust).	1. Use the correct grade of oil; see <i>Oil Grade</i> under <i>SPECIFICATIONS</i> . 2. Decrease oil level.
	BLACKISH OR DARK GRAYISH 1. Poor compression. 2. Improper valve clearance. 3. Improper injection timing. 4. Improper fuel. 5. High back-pressure in exhaust. 6. Insufficient intake air. 7. Overload.	1. See <i>Low Compression</i> under <i>HARD STARTING</i> . 2. Adjust valve clearance. 3. Adjust injection timing. 4. Replace with proper fuel. 5. Check for restrictions in exhaust system. 6. Increase engine compartment air supply. 7. Reduce load.
	BLACK, LARGE AMOUNT 1. Clogged fuel filter. 2. Restricted air intake. 3. Engine overloaded. 4. Injection timing. 5. Fuel injectors not operating properly. 6. Improper grade of fuel.	1. Replace fuel filter and bleed system. 2. Remove air obstruction. 3. Check engine propeller size and engine performance no-load through fully loaded. 4. Check the injection pump timing and adjust as needed. 5. Check nozzle spray pressure setting. 6. Use specified grade of fuel.
EXCESSIVE EXHAUST SMOKE	1. Faulty injection timing. 2. Water in injection pump, fuel filter or fuel filter/water separator. 3. Faulty injection starting pressure. 4. Injection pump malfunctioning.	1. Adjust timing. 2. Drain fuel system. 3. Adjust starting pressure. 4. Replace injection pump.

(continued)

ENGINE TROUBLESHOOTING

PROBLEM	PROBABLE CAUSE	VERIFICATION/REMEDY
INTERMITTENT EXHAUST SOUND	<ol style="list-style-type: none"> 1. Fuel filter clogged. 2. Fuel line sucks air. 3. Water mixed in fuel. 	<ol style="list-style-type: none"> 1. Clean or replace filter. 2. Retighten fuel line joints or replace fuel line. 3. Replace fuel.
EXCESSIVE FUEL CONSUMPTION	<p>ENGINE PROBLEMS</p> <ol style="list-style-type: none"> 1. Noisy knocking. 2. Smoky exhaust. 3. Moving parts nearly seized or excessively worn. 4. Poor compression. 5. Improper valve timing. 6. Improper valve clearance. 	<ol style="list-style-type: none"> 1. See <i>KNOCKING</i>. 2. See <i>SMOKY EXHAUST</i>. 3. Repair or replace. 4. See <i>Low Compression</i> under <i>HARD STARTING</i>. 5. Adjust timing. 6. Adjust clearance.
	<p>INSUFFICIENT INTAKE AIR</p> <ol style="list-style-type: none"> 1. Air intake obstructed. 	<ol style="list-style-type: none"> 1. Remove obstruction.
	<p>FUEL INJECTION PROBLEMS</p> <ol style="list-style-type: none"> 1. Injection timing incorrect. 2. Faulty injection starting pressure. 3. Seized nozzle. 4. Worn nozzle. 5. Nozzle leaking. 6. Injector not operating properly. 7. Clogged fuel filter. 8. High idling speed. 	<ol style="list-style-type: none"> 1. Adjust timing. 2. Adjust starting pressure. 3. Replace nozzle. 4. Replace nozzle. 5. Tighten nozzle or replace sealing gasket. 6. Adjust nozzle spray pressure. 7. Replace filter. 8. Adjust idling speed.
	<p>FUEL PROBLEMS</p> <ol style="list-style-type: none"> 1. Improper fuel. 2. Fuel leaks. 	<ol style="list-style-type: none"> 1. Replace with proper fuel. 2. Find fuel leaks.
	<p>ENGINE OVERLOADED</p> <ol style="list-style-type: none"> 1. Propeller size. 	<ol style="list-style-type: none"> 1. Check propeller size and engine performance at rated rpm.
EXCESSIVE OIL CONSUMPTION	<p>OIL LEAKAGE</p> <ol style="list-style-type: none"> 1. Defective oil seals. 2. Broken gear case gasket. 3. Loose gear case attaching bolts. 4. Loose drain plug. 5. Loose oil line connector. 6. Broken rocker cover gasket. 7. Loose rocker cover attaching bolts. 	<ol style="list-style-type: none"> 1. Replace oil seals. 2. Replace gasket. 3. Retighten bolts. 4. Retighten plug. 5. Retighten oil line connections. 6. Replace gasket. 7. Retighten attaching bolts.

(continued)

ENGINE TROUBLESHOOTING

PROBLEM	PROBABLE CAUSE	VERIFICATION/REMEDY
EXCESSIVE OIL CONSUMPTION (cont'd)	OIL LEVEL RISING 1. Incorrectly positioned piston ring gaps. 2. Displaced or twisted connecting rod. 3. Worn piston ring, or piston ring groove. 4. Oil ring worn or stuck. 5. Worn piston or cylinder liner. 6. Worn crankshaft bearing and crankpin bearing.	1. Correct ring gap positions. 2. Replace connecting rod. 3. Replace ring or piston. 4. Replace oil ring. 5. Repair or replace. 6. Replace.
	OIL LEVEL FALLING 1. Defective stem seal. 2. Worn valve and valve guide.	1. Replace stem seal. 2. Replace valve and valve guide.
LOW OIL PRESSURE	1. Worn main or connecting rod bearings. 2. Relief valve malfunction. 3. Diesel fuel is diluting the oil. 4. Oil strainer clogged. 5. Excessive oil clearance of crankshaft bearing. 6. Excessive oil clearance of crankpin bearing. 7. Excessive oil clearance of rocker arm bearing. 8. Oil passage clogged. 9. Improper grade of oil. 10. Oil filter cartridge clogged. 11. Oil pump defective.	1. Replace bearings. 2. Overhaul oil pump. 3. Injection pump repair. 4. Clean oil strainer. 5. Replace crankshaft bearing. 6. Replace crankpin bearing. 7. Replace rocker arm bearing. 8. Clean oil passage. 9. Replace with specified grade of oil. 10. Replace. 11. Repair or replace.
HIGH OIL PRESSURE	1. Relief valve defective. 2. Improper grade of oil.	1. Overhaul oil pump. 2. Replace with specified grade of oil.
FUEL MIXED INTO LUBE OIL	1. Injection pump plunger worn. 2. Deficient nozzle injection. 3. Injection pump malfunction.	1. Replace pump element or injection pump. 2. Repair or replace nozzle. 3. Replace injection pump.
COOLANT MIXED INTO LUBE OIL	1. Defective cylinder head gasket. 2. Defective cylinder head or cylinder block.	1. Replace cylinder head gasket. 2. Replace cylinder head or cylinder block.
ENGINE OVERHEATS/ SHUTS DOWN	1. V-belt slackening or slippery with oil. 2. Low oil level or poor oil quality. 3. Knocking. 4. Moving parts seized or damaged. 5. Lack of coolant. 6. Raw water not circulating.	1. Adjust, replace or clean belt. 2. Add or change oil. 3. See <i>KNOCKING</i> . 4. Replace. 5. Add coolant. 6. Check a. and b. a. Raw water pump failure. Check impeller; replace if necessary. b. Obstruction at raw water intake or raw water filter.

(continued)

ENGINE TROUBLESHOOTING

PROBLEM	PROBABLE CAUSE	VERIFICATION/REMEDY
ENGINE OVERHEATS/ SHUTS DOWN (cont'd)	7. Coolant not circulating.	7. Check a. through d. a. Thermostat — remove and test in hot water. Replace thermostat. b. Loss of coolant — check hoses, hose clamps, drain plug, etc. for leaks. c. Broken or loose belt — tighten/replace. d. Air leak in system; run engine and open the pressure cap to bleed air. Add coolant as needed.

SERVICE STANDARDS

These service standards specify the values at which the engine components will require adjustment, repair or replacement. It is important to observe these standards for your engine, and to take action when necessary to maintain a high level of safety, dependability and performance.

ENGINE COMPONENTS

Cylinder Head

DESCRIPTION	STANDARD VALUE	LIMIT
Cylinder Head Surface Flatness	—	0.002 in. (0.05 mm)
Top Clearance	0.019 – 0.027 in. (0.50 – 0.70 mm)	—
Cylinder Head Gasket Thickness (Grommet Section)		
Free	0.041 – 0.051 in. (1.15 – 1.30 mm)	—
Tightened	0.041 – 0.045 in. (1.05 – 1.15 mm)	—
Compression Pressure	412 – 469 psi (29 – 33 kgf/cm ²) (2.84 – 3.24 MPa)	327 psi (23 kgf/cm ²) (2.26 MPa)

Valves

Valve Clearance (Cold)	0.005 – 0.007 in. (0.145 – 0.185 mm)	—
Valve Seat Width	0.083 in. (2.12 mm)	—
Valve Seat Angle	45° (0.785 rad.)	—
Valve Face Angle	45° (0.785 rad.)	—
Valve Recessing	-0.003 – 0.003 in. (-0.10 – 0.10 mm)	0.011 in. (0.30 mm)
Clearance between Valve Stem and Valve Guide	0.001 – 0.002 in. (0.030 – 0.057 mm)	0.003 in. (0.10 mm)
Valve Stem O.D.	0.234 – 0.235 in. (5.968 – 5.980 mm)	—
Valve Guide I.D.	0.236 – 0.237 in. (6.010 – 6.025 mm)	—

Valve Timing

Intake Valve Open	20° (0.35 rad.) BTDC	—
Intake Valve Closed	45° (0.79 rad.) ABDC	—
Exhaust Valve Open	50° (0.87 rad.) BBDC	—
Exhaust Valve Closed	15° (0.26 rad.) ATDC	—

Valve Spring

DESCRIPTION	STANDARD VALUE	LIMIT
Free Length	1.244 in. (31.6 mm)	1.118 in. (28.4 mm)
Setting Load/ Setting Length	14.6 lbs. / 1.063 in. (6.6 kgf / 27 mm) (64.7 N / 27 mm)	12.3 lbs. / 1.063 in. (5.6 kgf / 27 mm) (54.9 N / 27 mm)
Tilt	—	0.047 in. (1.2 mm)

Rocker Arm

Clearance between Rocker Arm Shaft and Shaft Hole	0.0006 – 0.0017 in. (0.016 – 0.045 mm)	0.0059 in. (0.15 mm)
Rocker Arm Shaft O.D.	0.412 – 0.412 in. (10.473 – 10.484 mm)	—
Rocker Arm Shaft Hole I.D.	0.413 – 0.414 in. (10.500 – 10.518 mm)	—

Tappet

Clearance between Tappet and Guide	0.0006 – 0.0020 in. (0.016 – 0.052 mm)	0.0039 in. (0.10 mm)
Tappet O.D.	0.707 – 0.708 in. (17.966 – 17.984 mm)	—
Tappet Guide I.D.	0.708 – 0.709 in. (18.000 – 18.018 mm)	—

Camshaft

Camshaft Side Clearance	0.005 – 0.012 in. (0.15 – 0.31 mm)	0.020 in. (0.5 mm)
Camshaft Alignment	—	0.0004 in. (0.01 mm)
Cam Height (Intake, Exhaust)	1.058 in. (26.88 mm)	1.056 in. (26.83 mm)
Camshaft Oil Clearance	0.002 – 0.003 in. (0.050 – 0.091 mm)	0.005 in. (0.15 mm)
Camshaft Journal O.D.	1.296 – 1.297 in. (32.934 – 32.950 mm)	—
Camshaft Bearing I.D.	1.299 – 1.300 in. (33.000 – 33.025 mm)	—

SERVICE STANDARDS

Timing Gear

DESCRIPTION	STANDARD VALUE	LIMIT
Timing Gear Backlash		
Crank Gear – Oil Pump Drive Gear	0.001 – 0.004 in. (0.041 – 0.123 mm)	0.005 in. (0.15 mm)
Idler Gear – Cam Gear	0.001 – 0.004 in. (0.047 – 0.123 mm)	0.005 in. (0.15 mm)
Idler Gear – Injection Pump Gear	0.001 – 0.004 in. (0.046 – 0.124 mm)	0.005 in. (0.15 mm)
Idler Gear – Crank Gear	0.001 – 0.004 in. (0.043 – 0.124 mm)	0.005 in. (0.15 mm)
Idler Gear Side Clearance	0.007 – 0.020 in. (0.020 – 0.51 mm)	0.023 in. (0.60 mm)
Clearance between Idler Gear Shaft and Idler Gear Bushing	0.0007 – 0.0033 in. (0.020 – 0.084 mm)	0.0039 in. (0.10 mm)
Idler Gear Shaft O.D.	0.786 – 0.786 in. (19.967 – 19.980 mm)	—
Idler Gear Bushing I.D.	0.787 – 0.789 in. (20.000 – 20.051 mm)	—

Cylinder Liner

Cylinder Liner I.D.	2.637 – 2.638 in. (67.000 – 67.019 mm)	2.644 in. (67.169 mm)
Oversized Cylinder Liner I.D.	2.647 – 2.648 in. (67.250 – 67.269 mm)	2.654 in. (67.419 mm)

Piston & Piston Ring

Piston Pin Hole I.D.	0.7874 – 0.7879 in. (20.000 – 20.013 mm)	0.7894 in. (20.05 mm)
Piston Ring Clearance		
Second Compression Ring No.2	0.003 – 0.004 in. (0.085 – 0.115 mm)	0.005 in. (0.15 mm)
Oil Ring	0.0008 – 0.0024 in. (0.02 – 0.06 mm)	0.0059 in. (0.15 mm)
Ring Gap		
Top Compression Ring and Oil Ring	0.005 – 0.011 in. (0.15 – 0.30 mm.)	0.047 in. (1.2 mm)
Second Compression Ring	0.011 – 0.017 in. (0.30 – 0.45 mm.)	0.047 in. (1.2 mm)
Oversize of Piston Rings	+0.009 in. +(0.25 mm)	—

Crankshaft

DESCRIPTION	STANDARD VALUE	LIMIT
Crankshaft Alignment	—	0.003 in. (0.02 mm)
Oil Clearance between Crankshaft and Crankshaft Bearing No.1	0.001 – 0.004 in. (0.034 – 0.106 mm)	0.007 in. (0.20 mm)
Crankshaft O.D.	1.5722 – 1.5728 in. (39.934 – 39.950 mm)	—
Crankshaft Bearing No.1 I.D.	1.574 – 1.576 in. (39.984 – 40.040 mm)	—
Oil Clearance between Crankshaft and Crankshaft Bearing No.2	0.001 – 0.003 in. (0.034 – 0.092 mm)	0.007 in. (0.20 mm)
Crankshaft O.D.	1.729 – 1.730 in. (43.934 – 43.950 mm)	—
Crankshaft Bearing No.2 I.D.	1.731 – 1.733 in. (43.984 – 44.026 mm)	—
Oil Clearance between Crankshaft and Crankshaft Bearing No.3	0.001 – 0.003 in. (0.034 – 0.092 mm)	0.007 in. (0.20 mm)
Crankshaft O.D.	1.5722 – 1.5728 in. (39.934 – 39.950 mm)	—
Crankshaft Bearing No.3 I.D.	1.574 – 1.575 in. (39.984 – 40.026 mm)	—
Oil Clearance between Crank Pin and Crank Pin Bearing	0.0007 – 0.0031 in. (0.019 – 0.081 mm)	0.0059 in. (0.15 mm)
Crankshaft O.D.	1.336 – 1.337 in. (33.959 – 33.975 mm)	—
Crank Pin Bearing I.D.	1.338 – 1.340 in. (33.994 – 34.040 mm)	—
Crankshaft Side Clearance	0.005 – 0.012 in. (0.15 – 0.31 mm)	0.019 in. (0.50 mm)

Connecting Rod

Connecting Rod Alignment	—	0.002 in. (0.05 mm)
Clearance between Piston Pin and Small End Bushing	0.0005 – 0.0015 in. (0.014 – 0.038 mm)	0.0039 in. (0.10 mm)
Piston Pin O.D.	0.7874 – 0.7878 in. (20.002 – 20.011 mm)	—
Small End Bushing I.D.	0.7883 – 0.7889 in. (20.025 – 20.040 mm)	—

SERVICE STANDARDS

LUBRICATION SYSTEM

Oil Pump

DESCRIPTION	STANDARD VALUE	LIMIT
Engine Oil Pressure At Idle Speed	14 psi (1.0 kgf/cm ²) (98 kPa)	—
At Rated Speed	28 – 64 psi (2.0 – 4.5 kgf/cm ²) (196 – 441 kPa)	14 psi (1.0 kgf/cm ²) (98 kPa)
Clearance between Inner Rotor and Outer Rotor	0.012 – 0.005 in. (0.03 – 0.14 mm)	—
Clearance between Outer Rotor and Pump Body	0.002 – 0.005 in. (0.07 – 0.15 mm)	—
End Clearance between Inner Rotor and Cover	0.002 – 0.005 in. (0.075 – 0.135 mm)	—

COOLING SYSTEM

Thermostat

Thermostat's Valve Opening Temperature	157.1 – 162.5°F (69.5 – 72.5°C)	—
Temperature at which Thermostat Completely Opens	185°F (85°C)	—

FUEL SYSTEM

Injection Pump

Injection Timing	20 – 22° BTDC (0.35 – 0.38 rad.)	—
Fuel Tightness of Pump Element	—	2133 psi 150 kgf/cm ² 14.71 MPa
Fuel Tightness of Delivery Valve	—	5 seconds 2133 → 1990 psi (150 → 140 kgf/cm ²) (14.7 – 13.7 MPa)

Injection Nozzle

Fuel Injection Pressure	1991 – 2133 psi (140 – 150 kgf/cm ²) (13.73 – 14.71 MPa)	—
Fuel Tightness of Nozzle Valve Seat	When the pressure is 1849 psi (130 kgf/cm ²) (12.75 MPa), the valve seat must be fuel tight.	—

ELECTRICAL SYSTEM

Starter

DESCRIPTION	STANDARD VALUE	LIMIT
Commutator O.D.	1.102 in. (28.0 mm)	1.063 in. (27.0 mm)
Mica Undercut	0.020 – 0.031 in. (0.5 – 0.8 mm)	0.008 in. (0.2 mm)
Brush Length	0.630 in. (16.0 mm)	0.413 in. (10.5 mm)

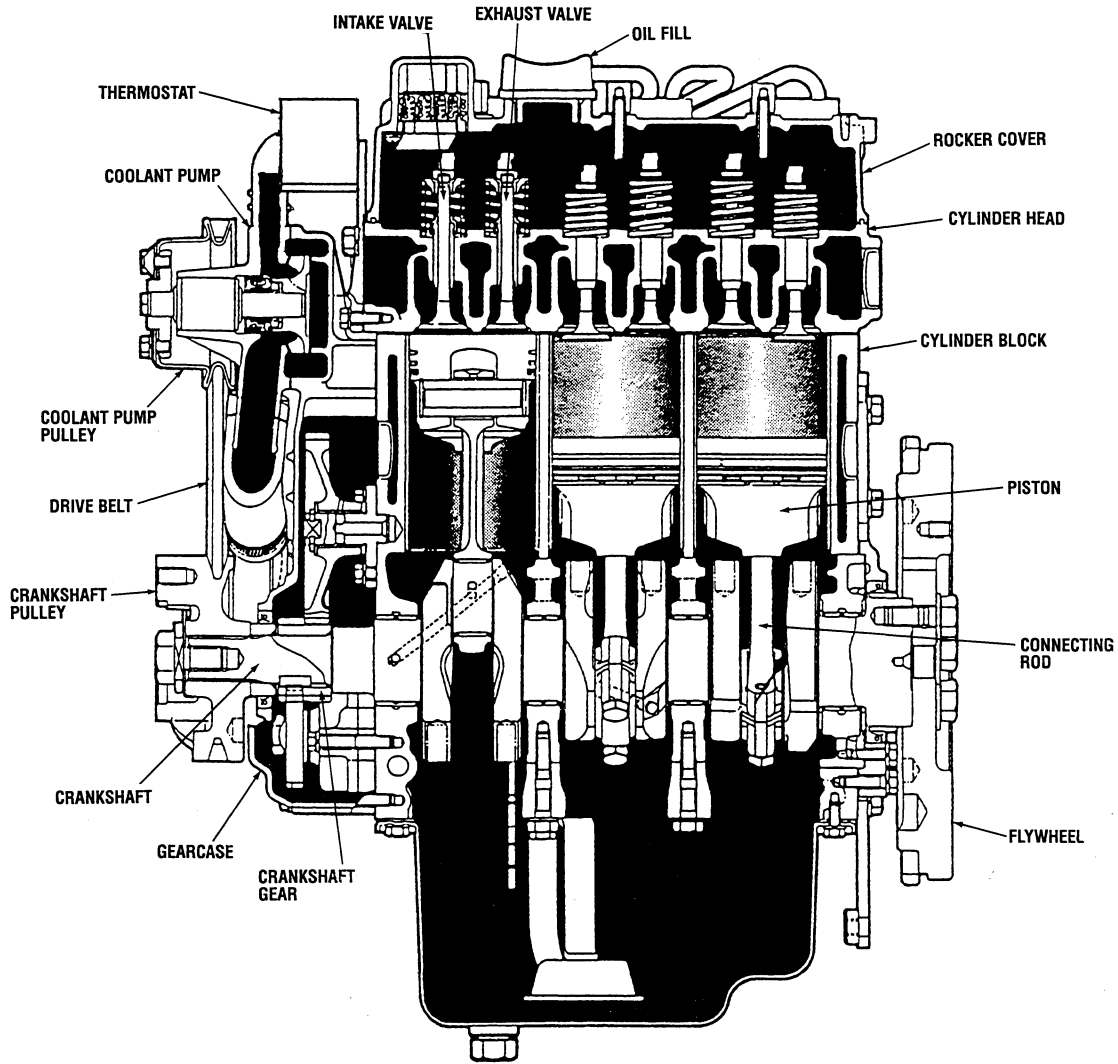
Alternator

No-load Voltage	13.7 – 14.1 V at 1500 – 2000 rpm
Stator Resistance	4.1 – 4.7 Ω at 70 – 80°F (21 – 27°C)
Brush Length (minimum)	0.25 in. (6 mm)

Glow Plug

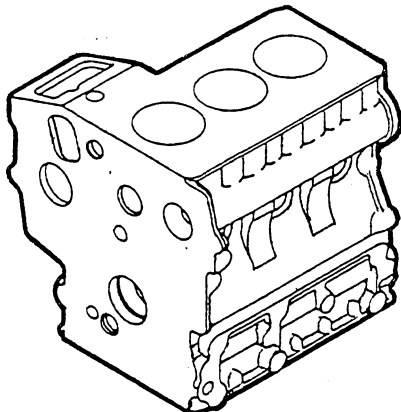
Glow Plug Resistance	Approx. 0.9 Ω	—
----------------------	---------------	---

ENGINE DESCRIPTION



CYLINDER BLOCK

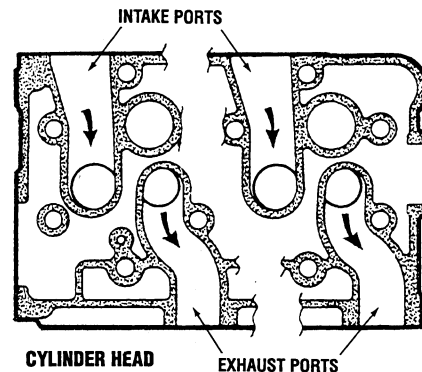
The engine has a high durability tunnel-type cylinder block in which the crank bearing component is a constructed body.



CYLINDER BLOCK

CYLINDER HEAD

The cross-flow type intake and exhaust ports in this engine have their openings at both sides of the cylinder head. Because the overlaps of the intake and exhaust ports are smaller than in the ports of other types of engines which have their openings on one side, the intake air is protected from being heated and expanded by the heated exhaust air. The cool, high-density intake air has high volume efficiency and increases the power of the engine. Distortion of the cylinder head by heated exhaust gas is reduced because the intake ports are arranged alternately.

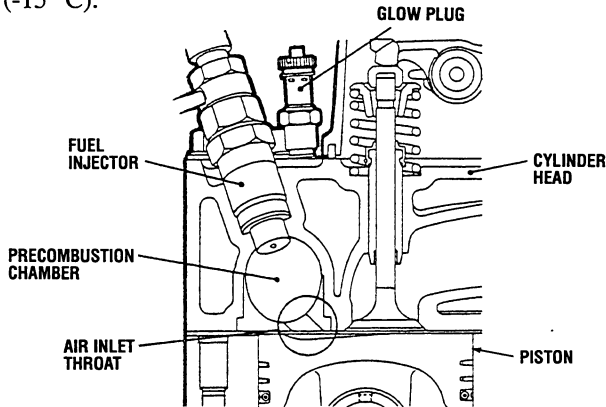


CYLINDER HEAD

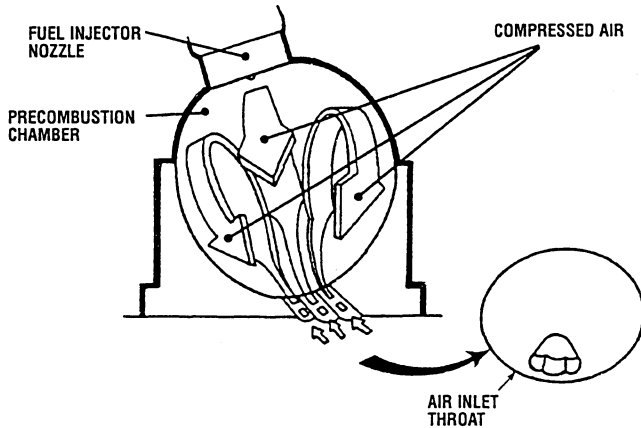
EXHAUST PORTS

ENGINE DESCRIPTION

Installed into the precombustion chamber are a throttle type fuel injector and a rapid-heating sheathed-type glow plug. The glow plugs assure easier engine starts, even at 5° F (-15° C).

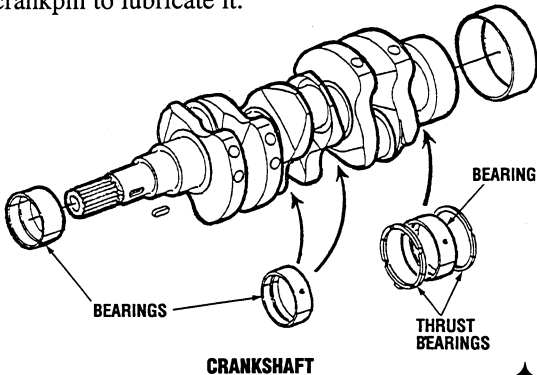


In the precombustion chamber, the intake air is whirled and mixed efficiently with the fuel, assuring proper combustion and reducing fuel consumption. The shape of the throat in the air inlet to the combustion chamber produces, under compression, an ideal mixture of air and fuel.



CRANKSHAFT

The crankshaft with the connecting rod converts the reciprocating motion of the piston into a rotating motion. The crankshaft is made of tough special alloy steel, and the journals, pins and oil seal sliding portions are induction-hardened for higher wear resistance. The front journal is supported by a solid type bearing, the intermediate journal by a split type bearing and the rear journal by a split type bearing with thrust bearings. The crankshaft has an oil gallery, through which engine oil is fed to the crankpin to lubricate it.



PISTON AND PISTON RINGS

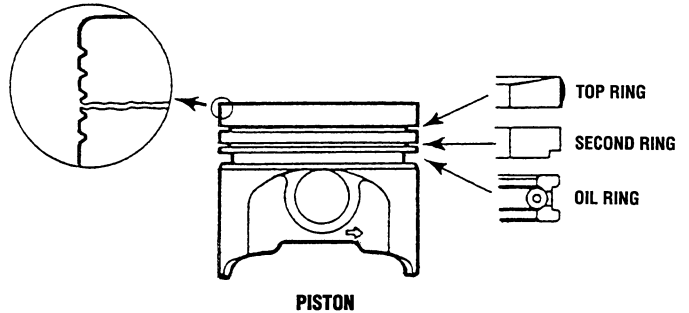
The piston is made of an aluminum alloy. Two recesses for the valves are provided on top of the piston. A fan-shaped depression is also on top of the piston in order to allow combustion gas to flow smoothly. The piston pin is slightly off center. With this design, the run-out of the piston at the top and bottom dead points is reduced, thereby resulting in lower operating noise.

The piston has a slightly oval shape when cold due to thermal expansion and a concave head. Three rings are installed in grooves in the piston.

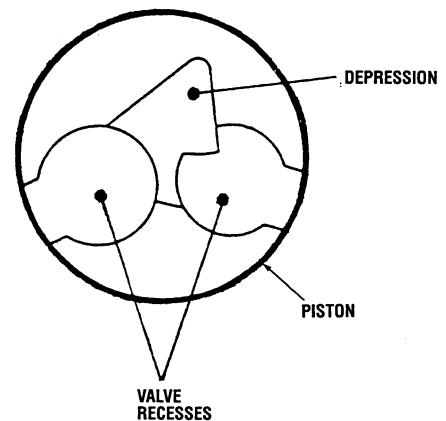
The top ring is a keystone type, which can stand heavy loads, and the barrel-shaped facing on this ring fits well to the cylinder wall.

The second ring is an undercut type, which effectively prevents the oil from being carried up.

The oil ring has chamfered contact faces and an expander ring, which increases the pressure of the oil ring against the cylinder wall.



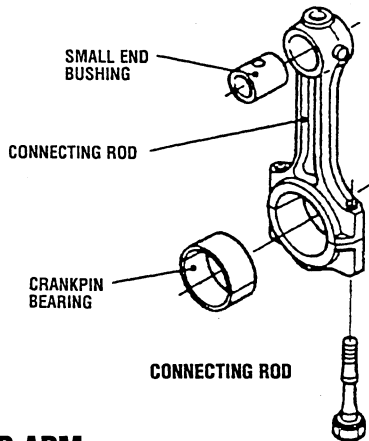
Several grooves are cut into the piston's crown to swirl the fuel/air mixture for complete combustion and to allow a smooth ejection of the exhaust gas.



ENGINE DESCRIPTION

CONNECTING ROD

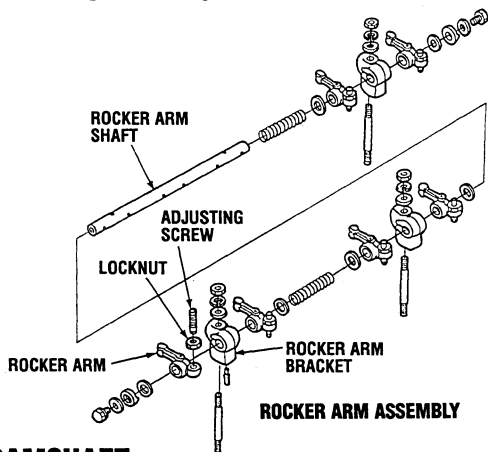
The connecting rod connects the piston to the crankshaft. The big end of the connecting rod has a split type crankpin bearing and the small end has a solid type bushing.



ROCKER ARM

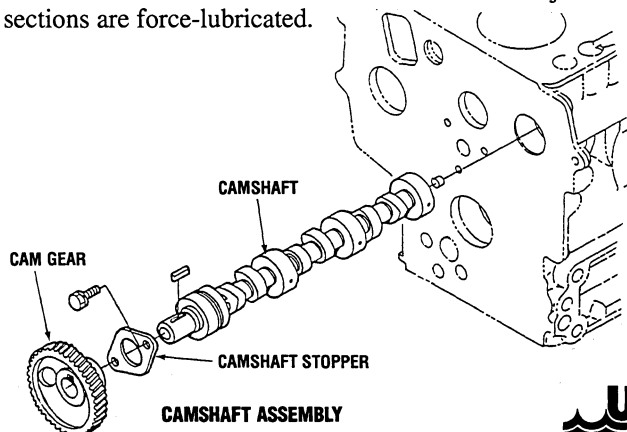
The rocker arm assembly includes the rocker arms, rocker arm brackets and rocker arm shaft. This assembly converts the reciprocating movement of the push rods to an open/close movement of the intake and exhaust valves.

Lubricating oil is force-fed through the bracket to the rocker arm shaft, which by its reciprocating motion, distributes lubricating oil throughout the entire rocker arm assembly.



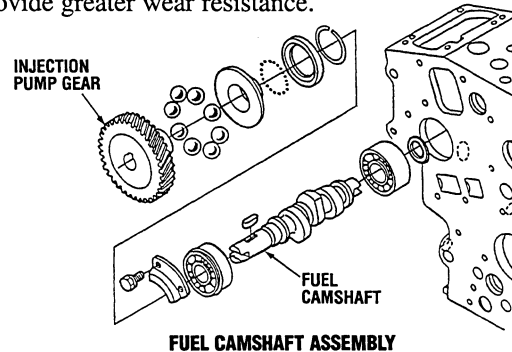
CAMSHAFT

The camshaft is made of special cast iron, and the journal and cam sections are hardened to resist wear. The journal sections are force-lubricated.



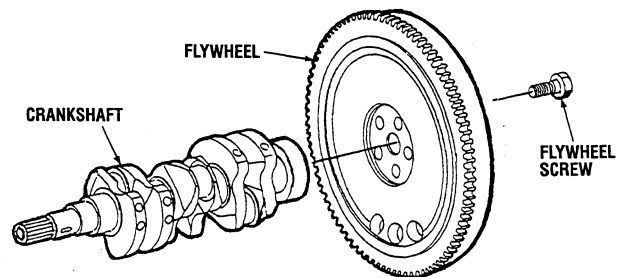
FUEL CAMSHAFT

The fuel camshaft controls the reciprocating movement of the injection pump. The fuel camshaft is made of carbon steel and the cam sections are quenched and tempered to provide greater wear resistance.



FLYWHEEL

The flywheel stores the rotating force of the combustion stroke as inertial energy, reduces crankshaft rotating speed fluctuation and maintains smooth rotating conditions. The flywheel's periphery is inscribed with marks showing the top dead center mark TC. The flywheel has gear teeth around its outer rim that mesh with the starter's drive pinion.

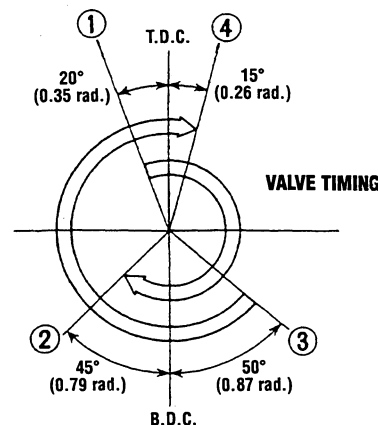


VALVE TIMING

The timing for opening and closing the valves is extremely important in order to achieve effective air intake and sufficient gas exhaust.

The appropriate timing can be obtained by aligning the marks on the crank gear and the cam gear when assembling.

1. Inlet valve opens	20° (0.35 rad.) before T.D.C.
2. Inlet valve closes	45° (0.79 rad.) after B.D.C.
3. Exhaust valve opens	50° (0.87 rad.) before B.D.C.
4. Exhaust valve closes	15° (0.26 rad.) after T.D.C.



ENGINE DISASSEMBLY & REASSEMBLY

Before disassembling your engine, read the following *GENERAL DISASSEMBLY PROCEDURES* and *GENERAL REASSEMBLY PROCEDURES*. They will provide important information to ensure the proper servicing of your engine.

The *EXTERNAL COMPONENTS DISASSEMBLY/REASSEMBLY* section gives the order of removal of the engine's external components (alternator, heat exchanger, air intake silencer, etc.). These components are reinstalled in the reverse of their order of disassembly.

Specific disassembly/reassembly information is provided for the main engine parts (bearings, crankshaft, pistons, etc.) in individual sections.

GENERAL DISASSEMBLY PROCEDURES

NOTE: Before disassembly and cleaning, carefully check for defects which cannot be found after disassembly and cleaning.

- All disassembled parts should be carefully arranged in the order of reassembly. Mark or label the parts as needed to insure proper mating and reassembly in the proper directions and positions.
- If the disassembly procedure is complex requiring many parts to be disassembled, the parts should be disassembled in a way that will allow them to be efficiently reassembled without any change in the engine's external appearance or its performance.
- Do not remove or disassemble parts that require no disassembly.
- Carefully inspect each part after removal for damage, deformation, and other problems.
- Carefully check gaskets packings and oil seals, even if checking is not specified. Replace with new ones, if defective.
- Be careful not to damage the disassembled parts. Keep the parts clean.
- Use the proper tools. Apply oil when necessary. Take special care to keep the fuel system parts free from the intrusion of dust and dirt.

GENERAL REASSEMBLY PROCEDURES

- Clean or wash the parts to be reassembled. Apply lubricating oil when specified or as needed to the surfaces of moving parts during reassembly. Heavily oil sliding, turning, rotating and reciprocating parts; lightly oil head bolts and other fasteners except those that penetrate into the water jacket. These fasteners should be sealed with *Permatex No. 2* or a high-tack equivalent. Make sure that moving parts, after assembly onto the engine, are not subject to binding or excessive tension.
- Carefully check gaskets, packings and oil seals, even if checking is not specified. Use new gaskets, lockwashers and O-rings.
- Be careful not to mix bolts and nuts. Both metric and S.A.E. bolts are used on various engine assemblies.

- Replace plain bearings if they are peeling, burned or otherwise damaged.
- Reassemble parts (e.g. pistons, piston rings, bearings, bearing caps) in their proper order, positions and directions relative to the engine block. Avoid reversed orientation – note that the cylinder head gasket, head bolt washers and thermostat are asymmetrical. Any mating marks that were drawn or scribed during disassembly should be positioned correctly for reassembly. Position gaskets carefully, especially the head gasket, so they will not be damaged during assembly.
- Inspect all critical clearances, end plays, oil clearances, and bends. Refer to the *SERVICE STANDARDS* section.
- Use liquid sealants when specified or needed on nuts, bolts and gaskets. Use *Permatex No. 2* or equivalent. Don't use tape sealants. Refer to *SEALANTS & LUBRICANTS* in this manual.
- Tighten the bolts and nuts on the important parts of the engine to the specified torques using a reliable torque wrench. Tighten fasteners in the specified torque sequences, and in three steps: 1/2, 2/3, and 1/1 torque. Exceptions are torque-to-yield head bolts and rocker arm shaft fasteners. The former are torqued as indicated. The latter – rocker shaft fasteners – should be brought down in very small increments, working from the center bolts out. Where a tightening torque is not specified, tighten evenly to an ordinary torque.
- After completion of reassembly, recheck for any abnormalities. Then fill the engine cooling system with pre-mixed coolant (50/50 good quality antifreeze and distilled water). Fill the engine oil sump to the mark on the dipstick with lube oil (A.P.I. spec. CF or CG-4).
Test run the engine under load prior to reinstalling. At this time readjust the valve clearances on the hot engine.
Allow the engine to cool to room temperature and retorque the cylinder head bolts and re-check the valve clearances (see *ENGINE ADJUSTMENTS*).

TRANSMISSION

1. Unplug the instrument panel wiring harness.
2. Drain the transmission fluid.
3. Unbolt the transmission from the engine.

NOTE: For transmission service and maintenance, refer to your transmission owner's manual. To rebuild a transmission, contact your *UNIVERSAL* dealer or a qualified marine transmission service facility.

If the transmission is not being rebuilt, it should be visually inspected. Inspect and lubricate the gear shift linkage and the propeller shaft coupling. Clean and repaint the transmission and change the transmission fluid. Refer to the *TRANSMISSIONS* section in this manual.

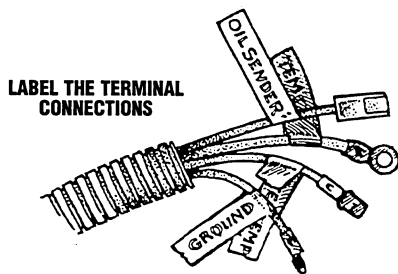
ENGINE DISASSEMBLY & REASSEMBLY

EXTERNAL COMPONENTS DISASSEMBLY/REASSEMBLY

NOTE: After servicing the engine, reinstall the external components in the reverse of their order of removal.

With the transmission separated from the engine, begin the following step-by-step disassembly procedure.

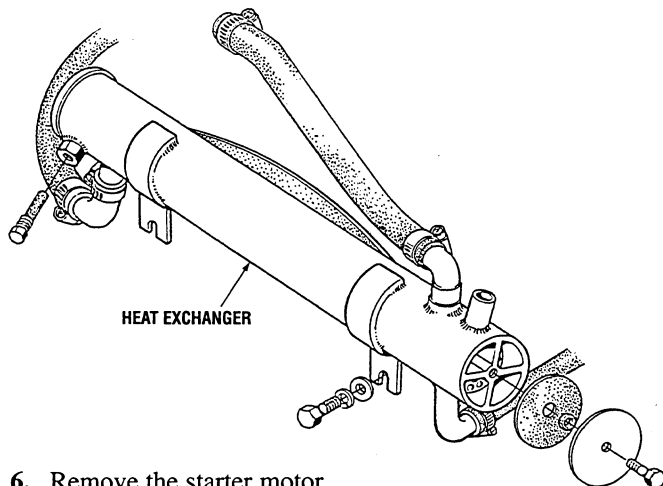
1. Clean the exterior of the engine of any deposits of dirt and oil.
2. Mount the engine on a suitable engine stand for disassembly.
3. Drain the coolant from the engine and engine hoses, and from the heat exchanger. Drain the fuel, and drain or pump out the engine oil.
4. Remove the engine wiring harness in its entirety. Label the terminal connections to insure proper reattachment.



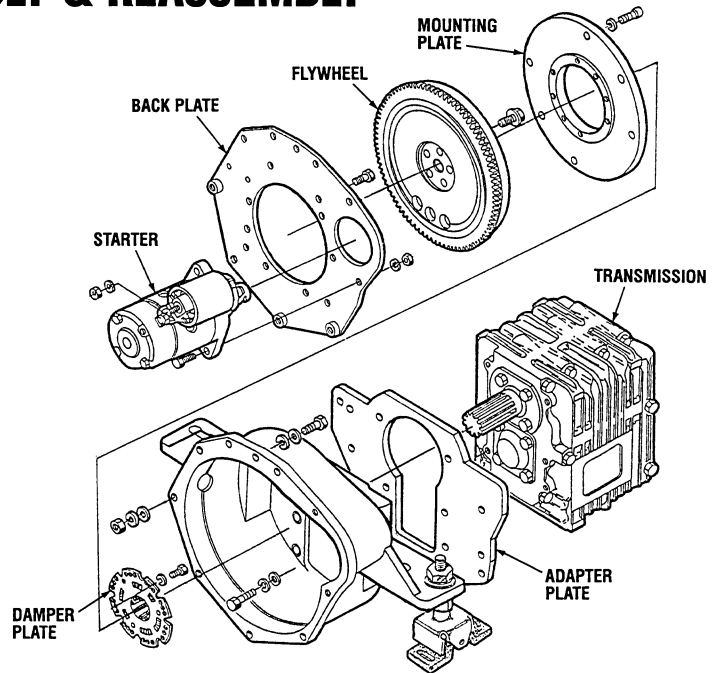
When Reassembling:

Check all AC and DC wiring connections by referring to the *UNIVERSAL* wiring diagrams and schematics.

5. Remove the engine heat exchanger. If possible, leave one end of each hose connection attached to the heat exchanger. The heat exchanger should be serviced when the engine is overhauled (see *HEAT EXCHANGER* under *COOLING SYSTEM* for inspection and servicing information).



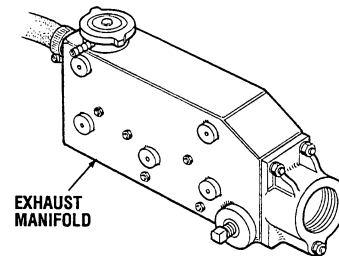
6. Remove the starter motor.
7. Remove the engine bellhousing.
8. Remove the transmission damper plate.
9. Remove the flywheel and flywheel washer.
10. Remove the engine back plate.



11. Remove the exhaust manifold.

When Reassembling:

Retighten the exhaust manifold using the same torque after idling for 20 minutes.



12. Remove the drive belt, alternator and alternator adjusting strap.

See *ALTERNATOR TROUBLESHOOTING* for testing information.

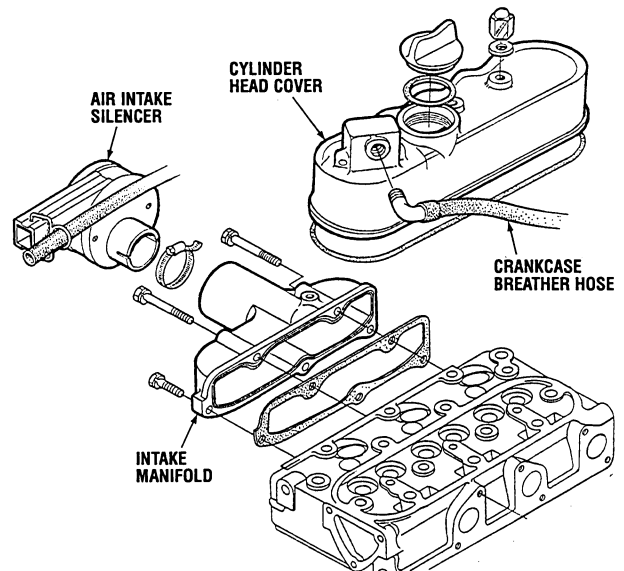
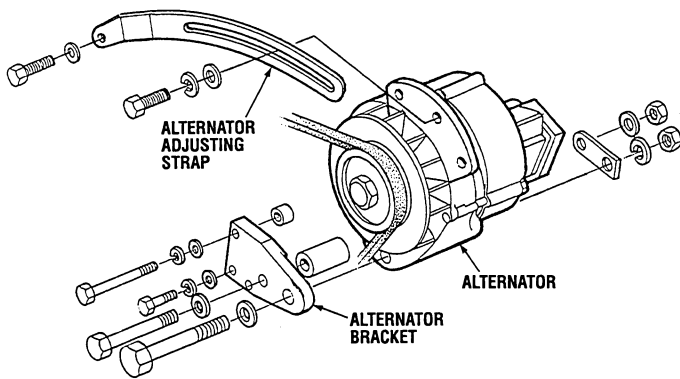
When Reassembling:

CAUTION: Connect the alternator properly. Should the polarity be reversed, a powerful current would flow from the battery into the alternator, damaging the diodes and wiring harness.

- a. Install the alternator cap screw through the alternator leg (underside) and spacer into the alternator bracket.
- b. Swing the alternator into position on the adjusting strap and fasten. Lightly tighten.
- c. Install the drive belt and adjust the belt tension.
- d. Tighten both bolts and recheck the belt tension.

NOTE: Make certain the belts are perfectly aligned with the alternator and engine pulleys. If not, insert or remove spacers as needed, to align the alternator.

ENGINE DISASSEMBLY & REASSEMBLY



13. Remove the raw water pump.
14. Remove the oil level dipstick.
15. Remove the oil filter.
16. Remove the fuel supply line from the fuel lift pump to the fuel filter.
17. Remove the fuel supply line from the fuel filter to the fuel injection pump (note the arrangement of the sealing washers on the banjo bolts at the fuel filter and injection pump).
18. Remove the fuel lift pump.
19. Remove the engine-mounted fuel filter and fuel filter bracket.
20. Remove the thermostat housing, gasket, and the thermostat. Leave the temperature sender in place.

26. Remove the glow plugs.

CYLINDER HEAD AND VALVES

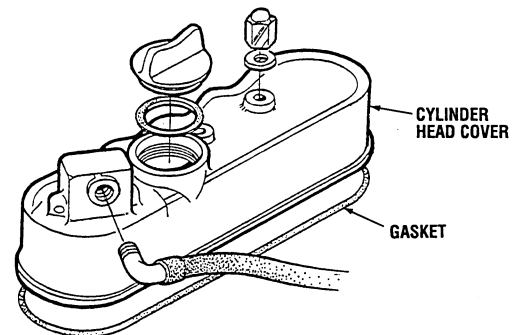
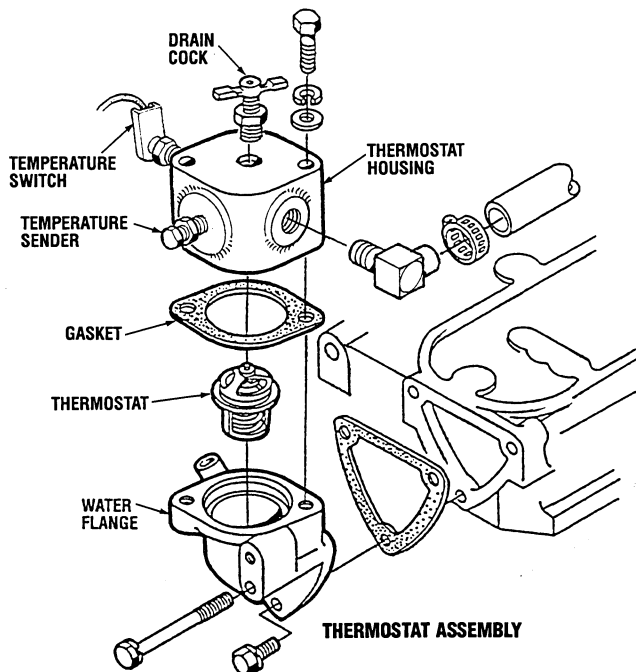
Cylinder Head Cover

1. Remove the cylinder head cover cap nuts.
2. Remove the cylinder head cover.

When Reassembling:

1. Check the cylinder head cover gasket; if it is defective, replace it.

Tightening torque	Cylinder head cover nuts	2.9 – 4.3 ft.-lbs. (0.4 – 0.6 kgf-m) (3.9 – 5.9 Nm)
-------------------	--------------------------	---



21. Remove the air intake silencer.
22. Remove the front and rear lifting eyes.
23. Remove the intake manifold.
24. Remove the alternator bracket.
25. Remove the crankcase breather hose.

Nozzle Holder Assembly

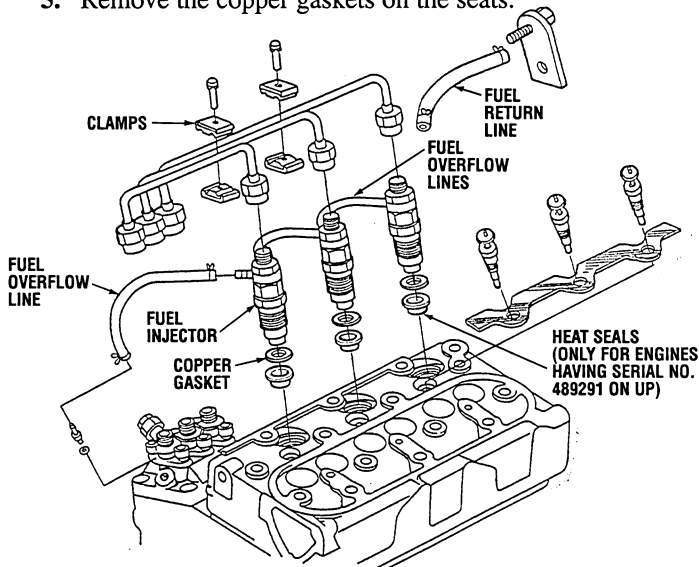
1. Loosen the screws on the fuel injection line clamps.
2. Remove the fuel injection lines from the injection pump to the injectors.

NOTE: Cap the ends of the lines, and the connections at the injection pump and at the injectors, to prevent entry of foreign material.

3. Remove the fuel overflow lines from the tops of the injectors, and the fuel return line from the injectors to the injection pump. Note the washer arrangement on the banjo bolts. Cap all openings on these fuel lines, on the injectors, and the injection pump.

ENGINE DISASSEMBLY & REASSEMBLY

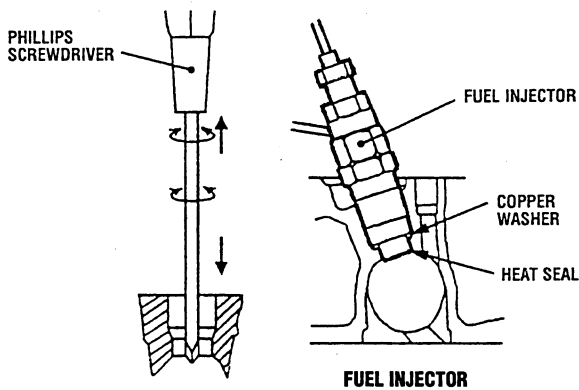
- Loosen the fuel injectors and unscrew them from the cylinder head.
- Remove the copper gaskets on the seats.



- Remove the nozzle heat seals (applies only to engines having Serial No. 489291 or higher).

NOTE: Use a Phillips screwdriver that has a diameter larger than the heat seal hole (0.25 in. (6 mm)).

- Insert the screwdriver lightly into the heat seal hole.
- Turn the screwdriver three or four times in each direction. While turning the screwdriver, slowly pull the heat seal out together with the injection nozzle copper washer.
- If the heat seal drops, repeat the above procedure. The heat seal and injection nozzle copper washer must be changed when the injection nozzle is removed for cleaning or for service.



When Reassembling:

Tightening torque	Injection line retaining nuts	18.1 – 25.3 ft.-lbs. (2.5 – 3.5 kgf-m) (24.5 – 34.3 Nm)
	Fuel injector	36.2 – 50.6 ft.-lbs. (5.0 – 7.0 kgf-m) (49.0 – 68.6 Nm)

Rocker Arm Assembly and Push Rods

- Remove the rocker arm bracket mounting nuts.
- Detach the rocker arm as an assembly.
- Remove the push rods.

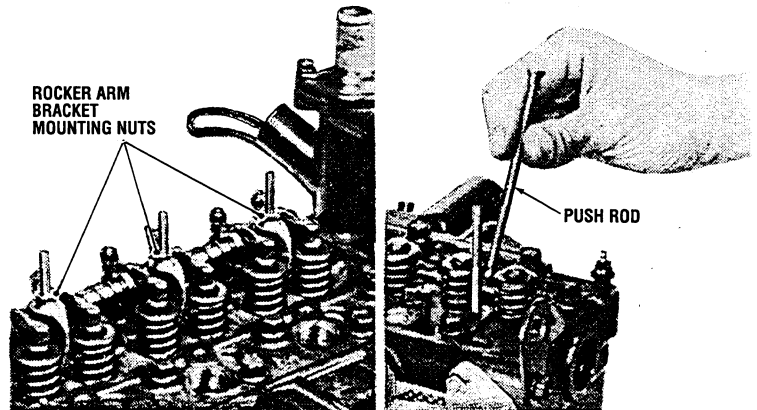
When Reassembling:

- When installing the push rods onto the tappets, make sure their ends are properly engaged with the grooves.

Tightening torque	Rocker arm bracket nut	7.2 – 8.3 ft.-lbs. (1.00 – 1.15 kgf-m) (9.8 – 11.3 Nm)
-------------------	------------------------	--

	STANDARD VALUE
Valve clearance	0.005 – 0.007 in. (0.145 – 0.185 mm)

NOTE: After reassembling the rocker arm assembly, be sure to adjust the valve clearances.



ROCKER ARM ASSEMBLY AND PUSH RODS

Cylinder Head

- Remove the crankcase breather hose.
- Remove the cylinder head screws in a descending sequence from 14 to 1 (see illustration). Then remove the cylinder head.

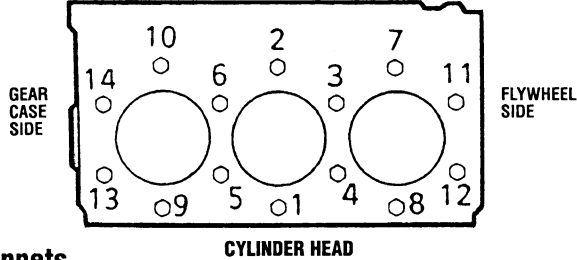
- Remove the cylinder head gasket and O-ring.

When Reassembling:

- Replace the head gasket with a new one.
- Install the cylinder head, using care not to damage the O-ring.
- After applying engine oil, tighten the cylinder head screws gradually in an ascending sequence from 1 to 14 (see illustration).
- Retighten the cylinder head screws after running the engine for 30 minutes.

ENGINE DISASSEMBLY & REASSEMBLY

Tightening torque	Glow plugs	5.8 – 10.8 ft.-lbs. (0.8 – 1.5 kgf-m) (7.8 – 14.7 Nm)
	Cylinder head screws	28.9 – 32.5 ft.-lbs. (4.0 – 4.5 kgf-m) (39.2 – 44.1 Nm)



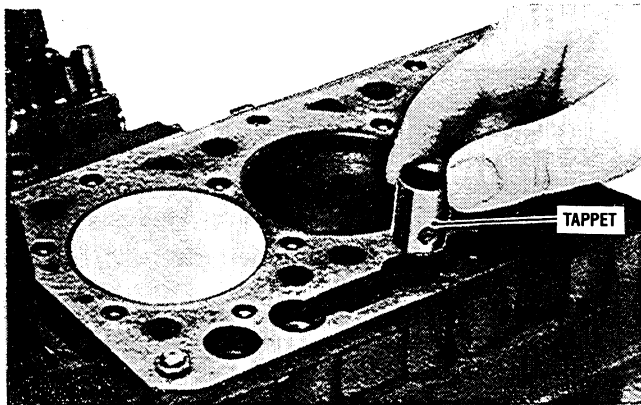
Tappets

1. Remove the cylinder head gasket and O-ring.
2. Remove the tappets from the crankcase.

NOTE: Mark the cylinder numbers on the tappets to prevent interchanging.

When Reassembling:

1. Before installing the tappets, apply engine oil thinly around them.



TAPPETS

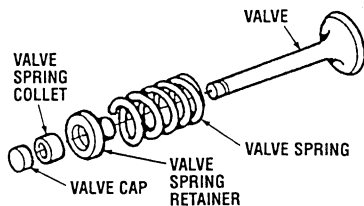
Valves

1. Remove the valve cap.
2. Remove the valve spring collet with a valve lifter.
3. Remove the valve spring retainers, valve spring and valve.

NOTE: When reassembling, don't change the valve/valve guide combinations.

When Reassembling:

1. Wash the valve stem and valve guide hole, and apply sufficient engine oil.
2. After installing the valve spring collet, lightly tap the valve stem with a plastic hammer to assure a proper fit.



TIMING GEARS AND CAMSHAFT

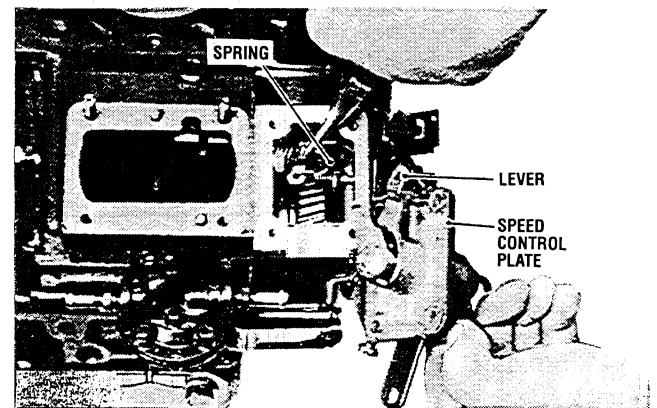
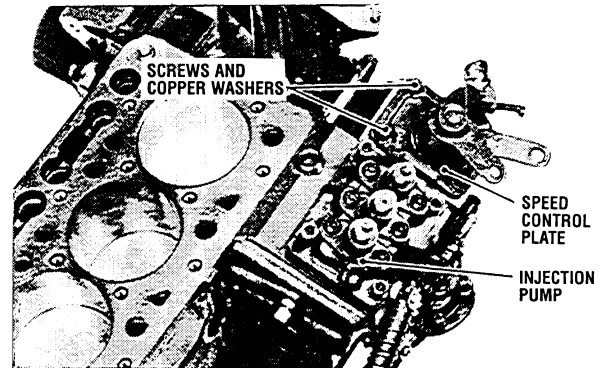
Injection Pump and Speed Control Plate

1. Remove the socket head screws and nuts, and remove the injection pump.

NOTE: The fuel injection pump is a very important component of the diesel engine, requiring the utmost care in handling. It has been thoroughly bench-tested, and the owner/operator is cautioned not to attempt to service it. If the fuel injection pump requires servicing, remove it and take it to an authorized fuel injection pump service facility. Do not attempt to disassemble and repair it. If the pump is defective, UNIVERSAL recommends that you replace the entire pump.

The only adjustments the servicing mechanic should make to the fuel injection pump are the adjustments for idle speed (see IDLE SPEED ADJUSTMENT under ENGINE ADJUSTMENTS), and injection timing (see INJECTION TIMING ADJUSTMENT), below.

2. Remove the screws and separate the speed control plate, taking care not to damage the spring.
3. Disconnect the spring and remove the speed control plate.

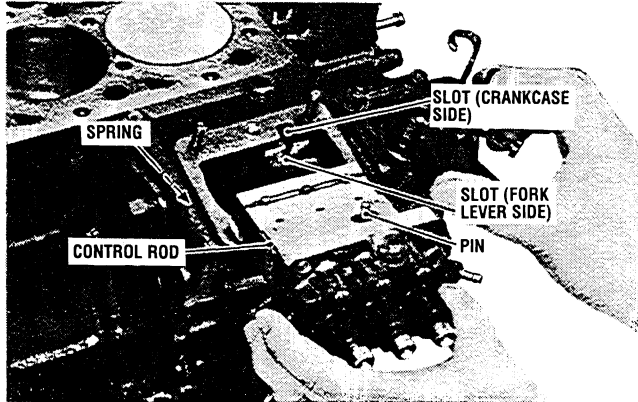


INJECTION PUMP AND SPEED CONTROL PLATE

ENGINE DISASSEMBLY & REASSEMBLY

When Reassembling:

1. Hook the spring to the lever first, then install the speed control plate.
2. Be sure to place the copper washers underneath the two screws (see illustration).
3. Position the slot on the fork lever just under the slot on the crankcase.
4. Insert the injection pump so that the control rod is pushed by the spring at its end, and the pin on the rod engages with the slot on the fork lever (see illustration).



INJECTION PUMP AND SPEED CONTROL PLATE

5. Install the shims as follows:

Engine Serial Numbers up to 489290:

1. Insert the same number of shims as used before, between the crankcase and the injection pump.
2. The addition or subtraction of a shim 0.0059 in. (0.15 mm) delays or advances the injection timing by approx. 1.5° (0.026 rad.).
3. Apply a liquid-type gasket (*HIGH TACK* or equivalent) to both sides of the injection pump shim before reassembling.

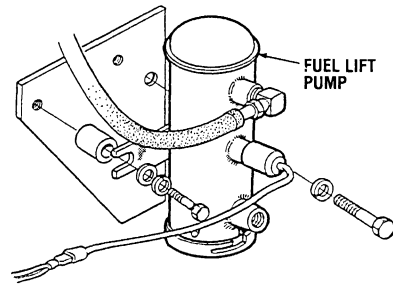
Engine Serial Numbers 489291 and up:

1. Apply sealant to both sides of the soft metal gasket shim. Liquid gasket is not required.
2. The addition or subtraction of a shim (0.0020 in. (0.05 mm)) delays or advances the injection timing by approx. 0.5° (0.0087 rad.).
3. In disassembling and replacing shims, be sure to use the same number of new gasket shims having the same thickness.

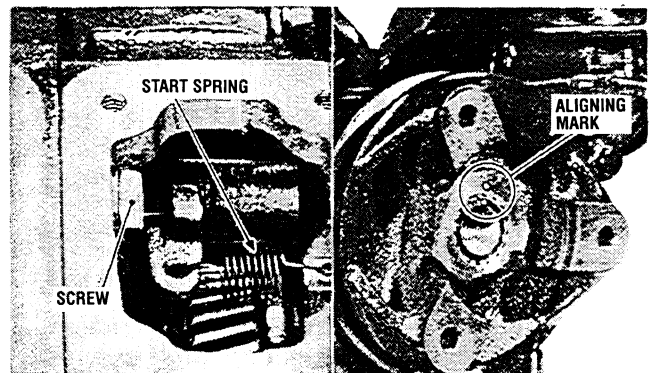
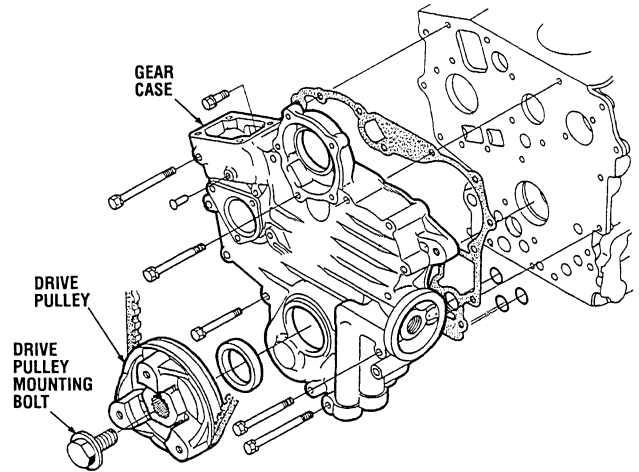
Tightening torque	Injection pump retaining screws and nuts	7.23 – 7.32 ft.-lbs. (1.0 – 1.5 kgf-m) (9.81 – 11.3 Nm)
-------------------	--	---

Drive Pulley and Gear Case

1. Remove the fuel lift pump.



2. Unscrew the drive pulley mounting bolt and remove the drive pulley.
3. Unscrew the screw and disconnect the start spring in the speed control plate mounting hole.
4. Unscrew the mounting screws and remove the gear case.



When Reassembling:

1. Apply a liquid-type gasket (*Three Bond 1215* or equivalent) to both sides of the gear case gasket.
2. Be sure to set the three O-rings inside the gear case.
3. Install the drive pulley to the crankshaft, aligning the marks on them (see illustration).

Tightening torque	Drive pulley mounting screw	86.80 – 94.03 ft.-lbs. (12.0 – 13.0 kgf-m) (117.7 – 127.5 Nm)
	Gear case screws	7.23 – 8.32 ft.-lbs. (1.0 – 1.15 kgf-m) (9.81 – 11.3 Nm)

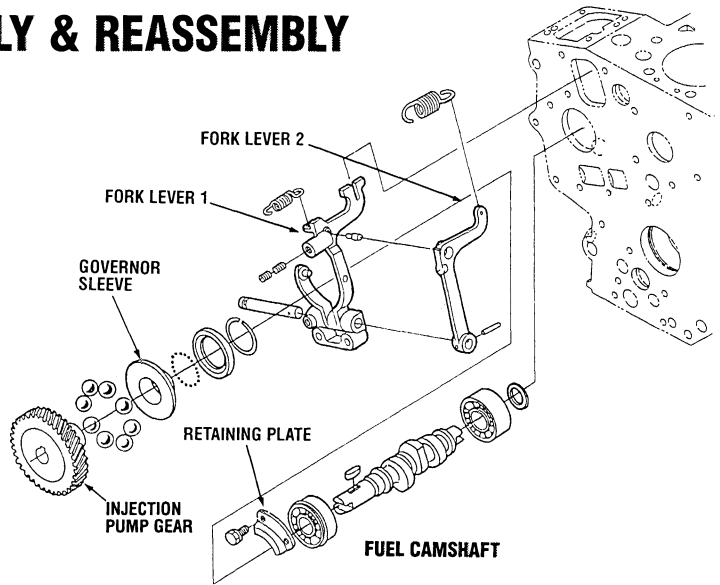
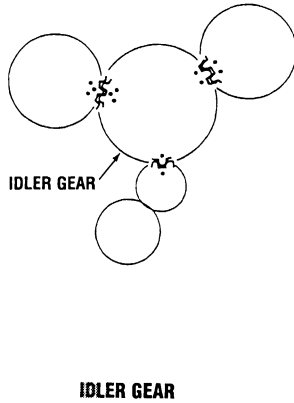
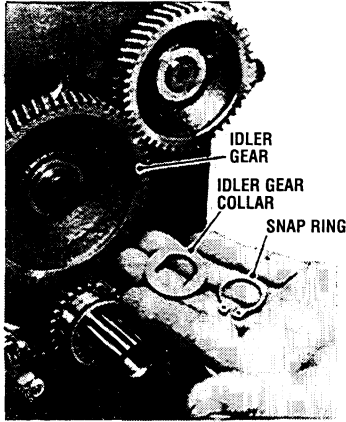
ENGINE DISASSEMBLY & REASSEMBLY

Idler Gear

1. Remove the external snap ring, the collar and the idler gear.

When Reassembling:

1. Install the idler gear, aligning the marks on the three gears that mesh with it (see illustration).



Oil Pump and Crankshaft Gears

1. Unscrew the flange nut and remove the oil pump gear.
2. Unscrew the mounting screws and remove the oil pump.
3. Remove the collar, O-ring and oil slinger.
4. Remove the crankshaft gear with a puller.

When Reassembling:

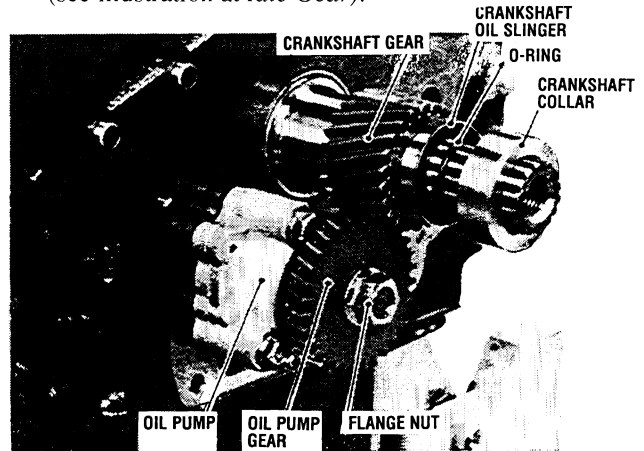
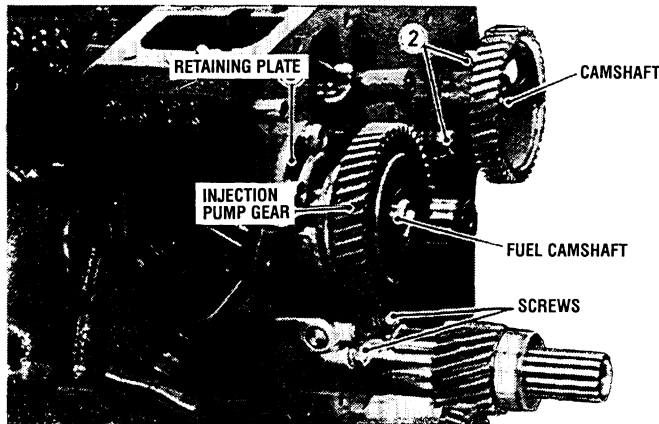
1. Install the collar after aligning the marks on the gears (see illustration at *Idle Gear*).

Fuel Camshaft

1. Remove the screws and draw out the camshaft with the gear on it.
2. Remove the retaining plate.
3. Remove the screws, then pull out the injection pump gear and fuel camshaft with the governor fork assembly.

When Reassembling:

1. Hook the spring to the fork lever 2 (see illustration) before installing the fork lever assembly to the crankcase.



PISTON AND CONNECTING ROD

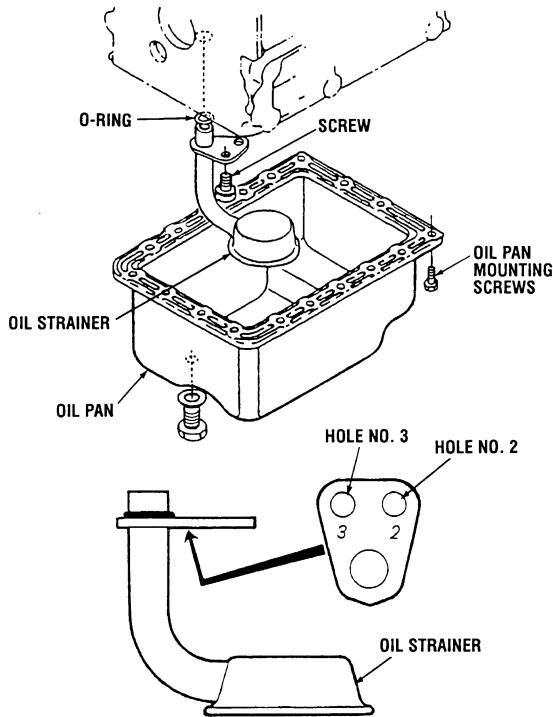
Oil Pan and Oil Strainer

1. Unscrew the oil pan mounting screws, and remove the oil pan.
2. Unscrew the oil strainer mounting screw, and remove the oil strainer.

When Reassembling:

1. Install the oil strainer, taking care not to damage the O-ring.
2. Using the hole numbered "3", install the oil strainer using the mounting screw.

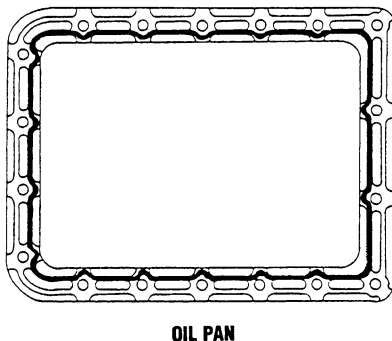
ENGINE DISASSEMBLY & REASSEMBLY



- Apply liquid gasket (*GE RTV 100 Silicon Rubber Adhesive Sealant* or equivalent) to the oil pan as follows (see illustration):

- Scrape off the old adhesive completely. Wipe the sealing surface clean using a waste cloth soaked with gasoline. Now apply the new adhesive 1/8 – 3/16 in. (3 – 5 mm) thick all over the contact surface. Apply the adhesive also on the center of the flange as well as on the inner wall of each bolt hole.
- Cut the nozzle of the fluid sealant container at its second notch. Apply fluid sealant about 3/16 in. (5 mm) thick.

Within 20 minutes after the application of the fluid sealant, reassemble the components. Wait for about 30 minutes, then pour oil in the crankcase.



Piston and Connecting Rod

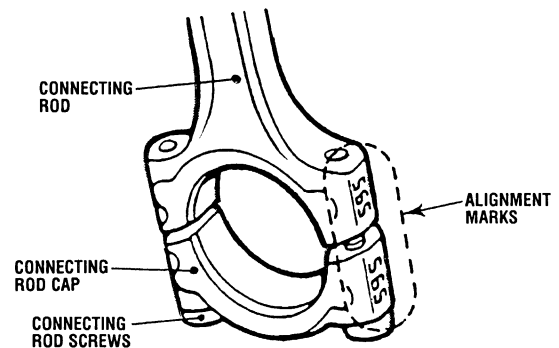
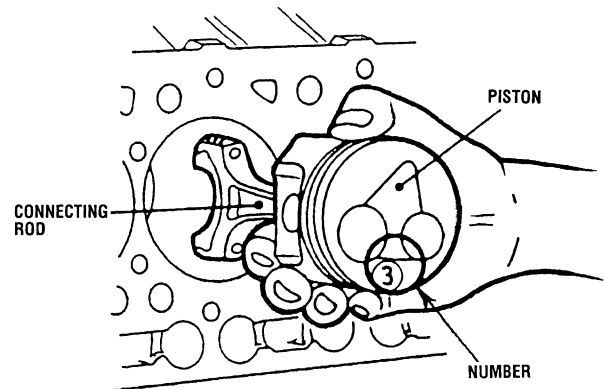
- Unscrew the connecting rod screws, and remove the connecting rod cap.
- Turn the crankshaft to bring the piston to top dead center.
- Push the connecting rod out from the bottom of the cylinder block with a handle of a hammer, then pull out the piston and connecting rod.

NOTE: Do not change the combinations of cylinder and piston. Make sure of the location of each piston by marking it. For example, mark "1" on the No. 1 piston.

When Reassembling:

- Before inserting the piston into the cylinder, apply enough engine oil to the inside surface of the cylinder.
- Apply engine oil to the crankpin bearings and connecting rod screws.
- Be sure to install the piston and connecting rod into the cylinder so that the number on the piston head is on the side opposite the injection pump.
- Align the alignment marks on the connecting rod and connecting rod cap.
- When inserting the piston into the cylinder, face the mark on the connecting rod toward the injection pump.

Tightening torque	Connecting rod screws	19.5 – 22.4 ft.-lbs. (2.7 – 3.1 kgf-m) (26.5 – 30.4 Nm)
-------------------	-----------------------	---



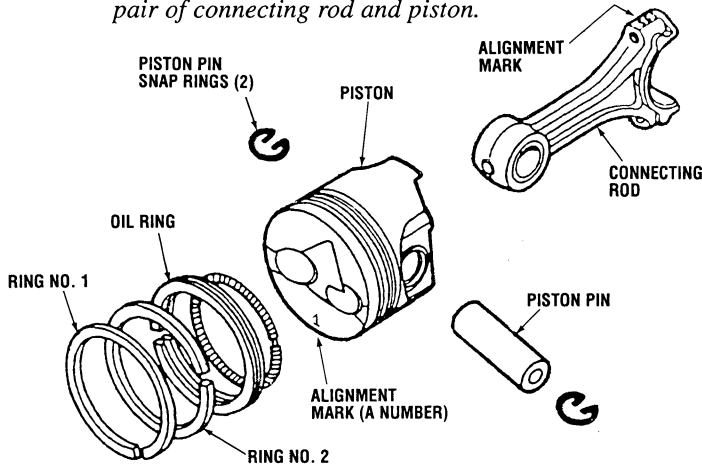
PISTON AND CONNECTING ROD

ENGINE DISASSEMBLY & REASSEMBLY

Piston Rings and Connecting Rod

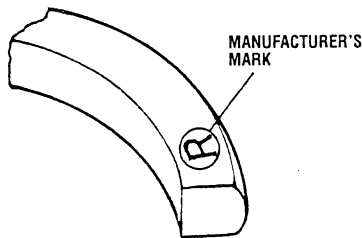
1. Remove the piston rings using a piston ring tool.
2. Position the alignment mark on the piston head (see illustration).
3. Remove the piston pin and separate the connecting rod from the piston.

NOTE: Do not change the combinations of connecting rod and piston. Mark an identifying number on each pair of connecting rod and piston.

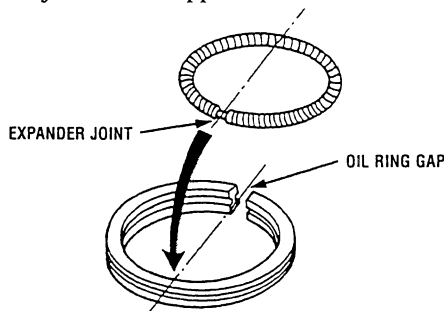


When Reassembling:

1. When installing the rings, assemble them so that the manufacturer's mark near the gap faces the top of the piston.

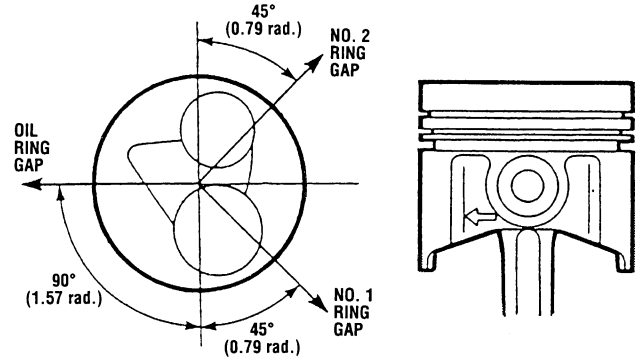


2. When installing the oil ring onto the piston, place the expander joint on the opposite side of the oil ring gap.



3. Apply engine oil to the piston pin and small end bushing.
4. Before installing the piston pin, immerse the piston in 176° F (80° C) oil for 10 to 15 minutes, then insert the piston pin into the piston.
5. Install the connecting rod to the piston so that the alignment mark on the connecting rod is on the opposite side of the alignment mark on the piston head (see illustration).

6. When inserting the piston into the cylinder, place the gap of compression ring No. 1 on the side opposite the combustion chamber, and stagger the gaps of compression ring No. 2 and the oil ring from the gap of compression ring No. 1 (see illustration).



7. Carefully insert the pistons using a piston ring compressor, otherwise their chrome-plated sections may be scratched, causing trouble inside the liner.

FLYWHEEL AND CRANKSHAFT

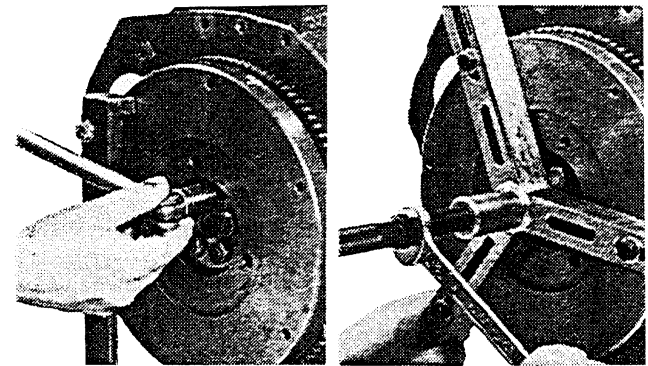
Flywheel

1. Lock the flywheel using the flywheel stopper so it will not turn.
2. Remove the flywheel screws, except for two which must be loosened and left as they are.
3. Use a flywheel puller and remove the flywheel, or work the flywheel off using two screwdrivers.

When Reassembling:

1. Apply engine oil to the flywheel screws.

Tightening torque	Flywheel bolts	39.8 – 43.4 ft.-lbs. (5.5 – 6.0 kgf-m) (53.9 – 58.8 Nm)



REMOVING THE FLYWHEEL

ENGINE DISASSEMBLY & REASSEMBLY

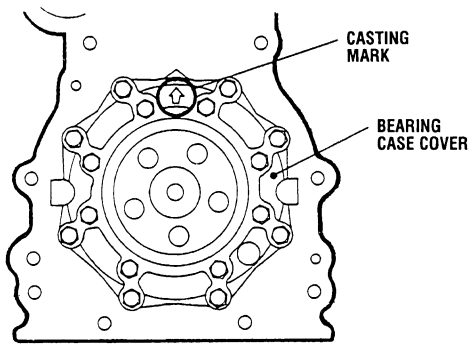
Bearing Case Cover

1. Unscrew the bearing case cover mounting screws.
2. Remove the bearing case cover.

When Reassembling:

1. Apply a liquid-type gasket (*Three Bond 1215* or its equivalent) to both sides of a new bearing case cover gasket.
2. Install the bearing case cover, with the casting mark on it pointing upward.
3. Tighten the bearing case cover mounting screws with even force on the diagonal line.

Tightening torque	Bearing case cover mounting screws	7.23 – 8.32 ft.-lbs. (1.00 – 1.15 kgf-m) (9.81 – 11.28 Nm)
-------------------	------------------------------------	--



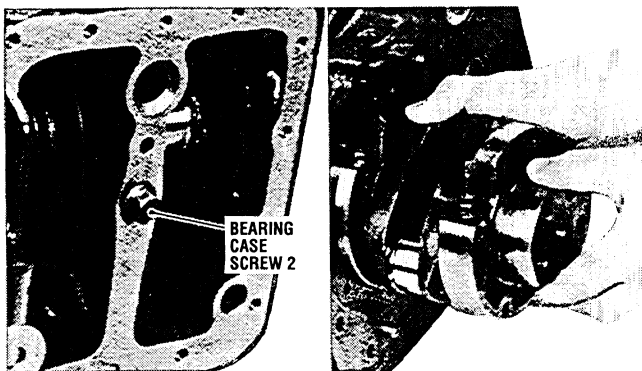
Crankshaft

1. Unscrew the bearing case screws 2, and pull out the crankshaft.

When Reassembling:

1. Install the crankshaft sub-assembly, aligning the screw hole of main bearing case 2 with the screw hole of the cylinder block.
2. Apply engine oil to the seat and threads of bearing case screw 2, then tighten it.

Tightening torque	Bearing case screws 2	19.5 – 22.4 ft.-lbs. (2.7 – 3.1 kgf-m) (26.5 – 30.4 Nm)
-------------------	-----------------------	---



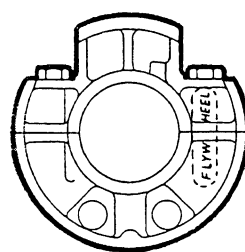
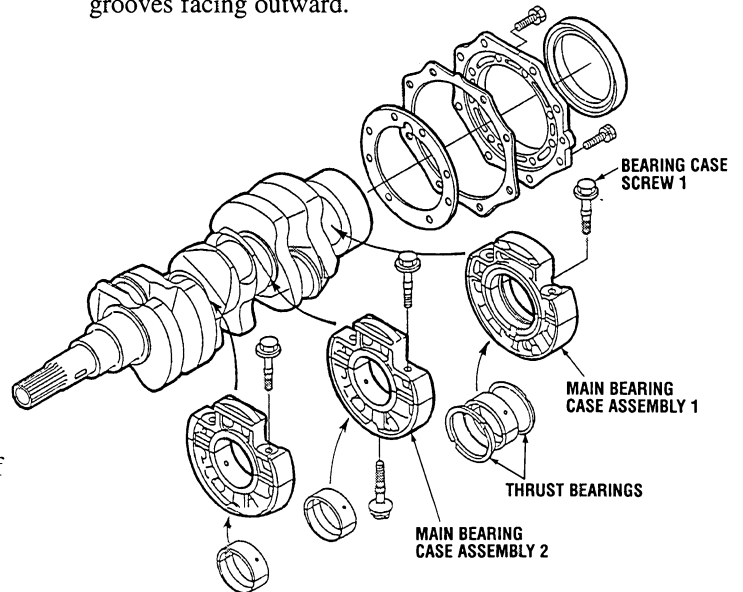
CRANKSHAFT

Main Bearing Case Assembly

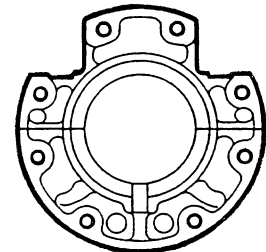
1. Remove the two main bearing case screws 1, and remove the main bearing case assembly 1, being careful with the thrust bearings and crankshaft bearing 2.
2. Remove the main bearing case assemblies 2 and 3.

When Reassembling:

1. Clean the oil passage in the main bearing case.
2. Apply clean engine oil on crankshaft bearing 2 and the thrust bearings.
3. Install the main bearing case assemblies in their original positions. Since the diameters of the main bearing cases vary, install them in the order of the markings (1, 2) from the gear case side.
4. When installing the main bearing case assemblies 2 and 3, face the mark "FLYWHEEL" toward the flywheel.
5. Be sure to install the thrust bearings with their oil grooves facing outward.



MAIN BEARING CASE ASSEMBLY 2



MAIN BEARING CASE ASSEMBLY 1

ENGINE SERVICE

NOTE: Servicing specifications are included in this section. Also refer to the SERVICE STANDARDS section.

NOTE: Cylinder heads with serial numbers 489291 on up are partially modified because of the introduction of the nozzle heat seal. When replacing the cylinder head, see the parts list and choose the right one in reference to its serial number.

CYLINDER HEAD AND VALVES

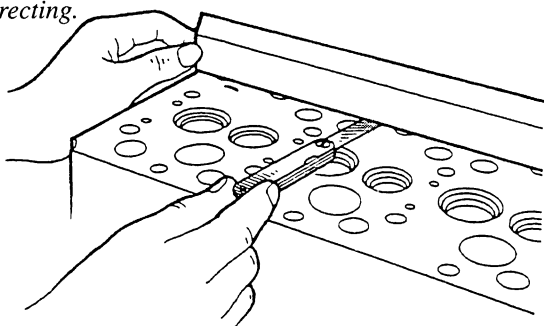
Cylinder Head Distortion

1. Thoroughly clean the cylinder head surface.
2. Place a straightedge on the cylinder head and measure for distortion in the six directions A through F as shown in the illustration. Measure the clearance with a feeler gauge.

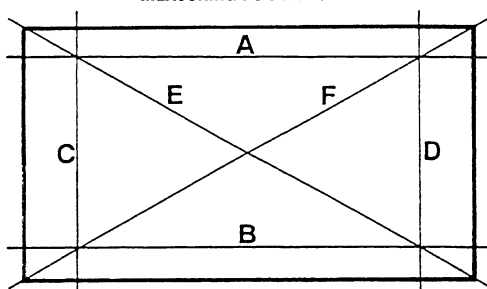
NOTE: Do not place the straightedge on the combustion chamber.

3. If the measurement exceeds the limit, correct it with a surface grinder.

NOTE: Be sure to check the valve recession after correcting.



MEASURING FOR DISTORTION

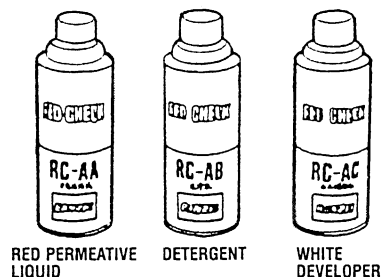


	STANDARD VALUE	LIMIT
Cylinder head surface flatness	—	0.002 in. (0.05 mm)

Finishing	8 μ R max. ▽▽	8 (320) unit: μm (μin.)
-----------	------------------	----------------------------

Cylinder Head Flaw

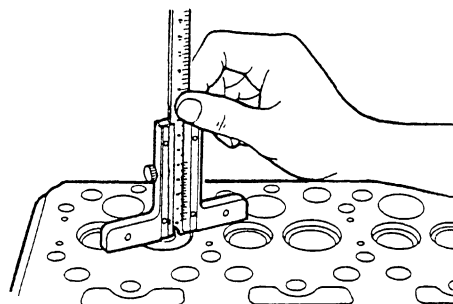
1. Prepare an air spray red check.
2. Clean the surface of the cylinder head with detergent.
3. Spray the cylinder head surface with red permeative liquid. Wait five to ten minutes after spraying.
4. Wash away the red permeative liquid on the cylinder head surface with the detergent.
5. Spray the cylinder head surface with white developer.
6. If the surface is flawed, the flaws will be identified as red marks.



Valve Recession

1. Clean the cylinder head, valve face and seat.
2. Insert the valve into the valve guide.
3. Measure the valve recession with a depth gauge.
4. If the measurement exceeds the limit, replace the valve. If the measurement still exceeds the limit after replacing the valve, correct the valve seat face of the cylinder head with a valve seat cutter or valve seat grinder. Then correct the cylinder head surface with a surface grinder, or replace the cylinder head.

	STANDARD VALUE	LIMIT
Valve recession (Intake and exhaust)	-0.003 – 0.003 in. (-0.10 – 0.10 mm)	0.011 in. (0.30 mm)

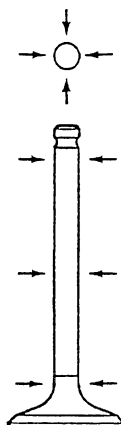
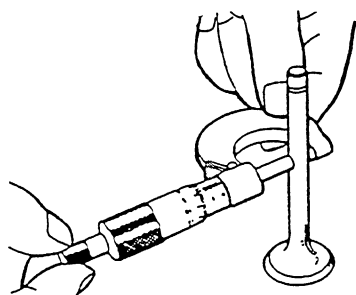


MEASURING VALVE RECESSION

ENGINE SERVICE

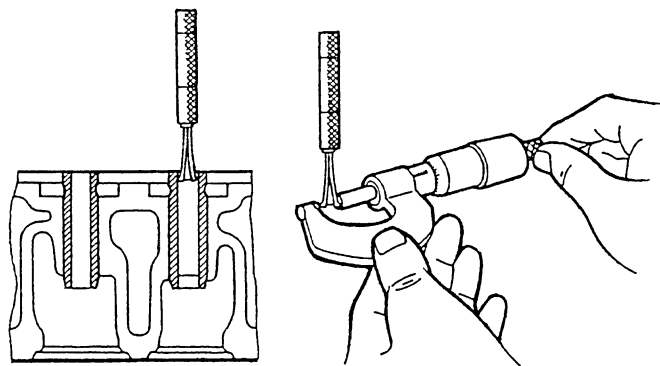
Valve Stem to Valve Guide Clearance

1. Remove carbon from the valve guide.
2. Measure the valve stem O.D. with an outside micrometer.



CHECKING VALVE STEM

3. Using a small hole gauge, measure the valve guide I.D. where it shows maximum wear. Then calculate the clearance.
4. If the clearance exceeds the limit, replace the valve. If it still exceeds the limit, replace the valve guide.



	STANDARD VALUE	LIMIT
Clearance between valve stem and valve guide	0.001 – 0.002 in. (0.030 – 0.057 mm)	0.003 in. (0.10 mm)

	STANDARD VALUE
Valve stem O.D.	0.234 – 0.235 in. (5.968 – 5.980 mm)
Valve guide I.D.	0.236 – 0.237 in. (6.010 – 6.025 mm)

Replacing Valve Guide

When removing:

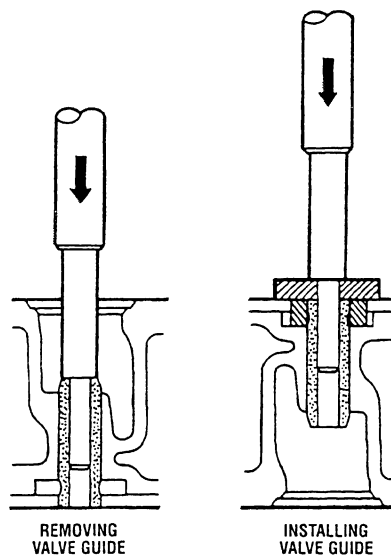
1. Using a valve guide replacing tool (see *SPECIAL TOOLS*), press out the existing valve guide.

When installing:

1. Clean a new valve guide, and apply engine oil to it.
2. Using a valve guide replacing tool (see *SPECIAL TOOLS*), press in a new valve guide until it is flush with the cylinder head as shown in the illustration.
3. Ream the I.D. of the valve guide precisely to the specified dimension.

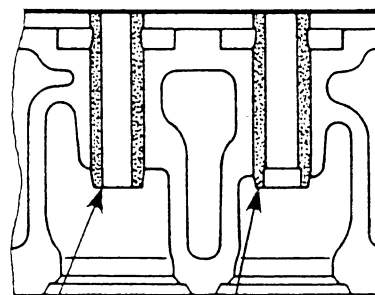
CAUTION: Do not hit the valve guide with a hammer during replacement; only use the valve guide replacing tool.

	STANDARD VALUE
Valve guide I.D. (intake and exhaust)	0.236 – 0.237 in. (6.010 – 6.025 mm)



REMOVING VALVE GUIDE

INSTALLING VALVE GUIDE



INTAKE VALVE GUIDE

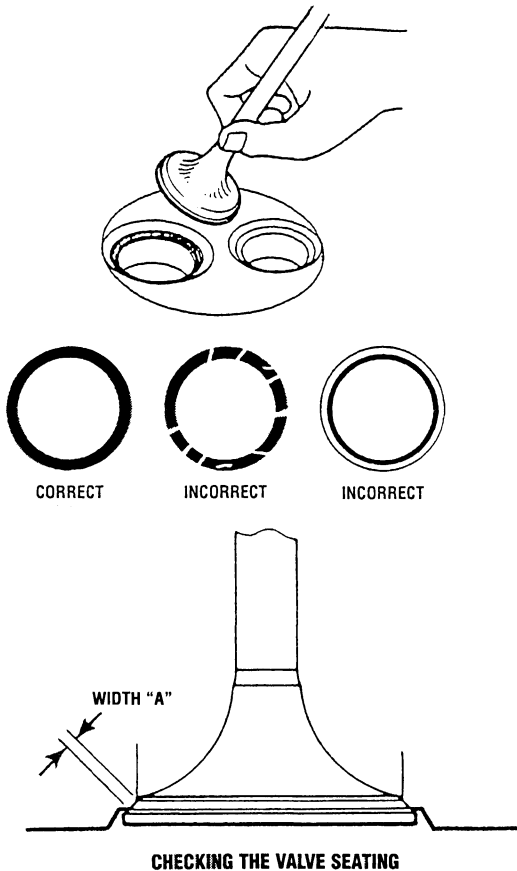
EXHAUST VALVE GUIDE

ENGINE SERVICE

Checking the Valve Seating

1. Check the contact between the valve face and the valve seat.
2. Coat the valve face lightly with prussian blue and put the valve on its seat to check the contact.
3. If the valve does not seat all the way around the seat or the valve contact is less than 70%, correct the valve seating (see *Correcting Valve and Valve Seat*).
4. If the valve contact width **A** does not comply with the standard value, replace the valve or correct the valve seating.

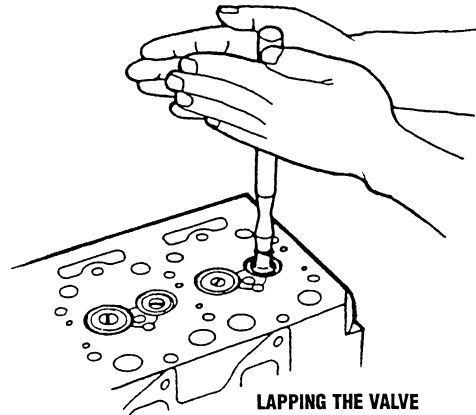
	STANDARD VALUE
Valve seat width A	0.083 in. (2.12 mm)



Valve Lapping

1. Apply compound evenly to the valve lapping surface.
2. Insert the valve into the valve guide. Lap the valve onto its seat with a valve lapper or screwdriver.
3. After lapping the valve, wash the compound away and apply oil, then repeat the valve lapping with the oil.
4. Apply red lead or prussian blue to the contact surface to check the seated surface. If it is less than 70%, repeat the valve lapping again.

NOTE: When valve lapping is performed, be sure to check the valve recession, and adjust the valve clearance after assembling the valve.



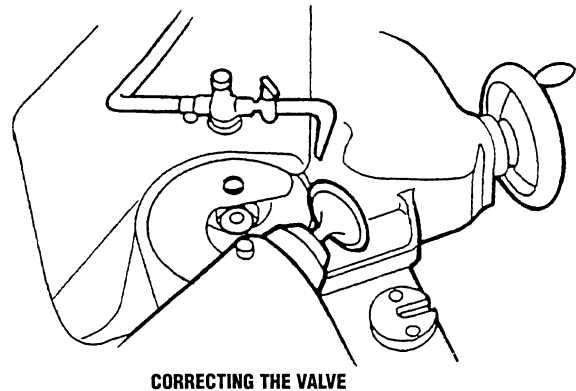
Correcting Valve and Valve Seat

NOTE: Before correcting the valve and seat, check the valve stem and the I.D. of the valve guide, and repair them if necessary. After correcting the valve seat, be sure to check the valve recession.

1. Correcting the Valve

- a. Correct the valve with a valve refacer.

	STANDARD VALUE
Valve face angle	45.0° – 45.5° (0.785 – 0.794 rad.)



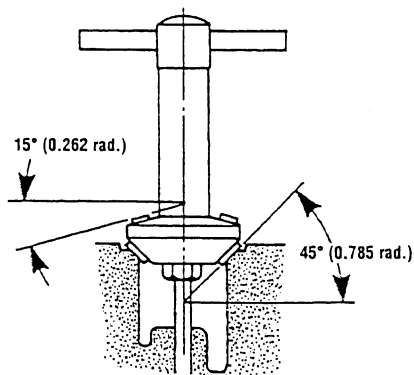
2. Correcting the Valve Seat

- a. Slightly correct the seat surface with a 45° (0.79 rad.) valve seat cutter (see illustration No. 1).
- b. Install the valve and visually check the contact position of the valve face and seat surface using red lead (see illustration No. 2). If the valve has been used for a long period, the seat tends to come in contact with the upper side of the valve face.
- c. Grind the upper surface of the valve seat with a 15° (0.26 rad.) valve seat cutter (illustration No. 3) until the valve seat contact surface touches the center of the valve face (so that **a** equals **b** as shown in illustration No. 5).
- d. Grind the seat with a 45° (0.79 rad.) valve seat cutter again (illustration No. 4), and visually recheck the contact between the valve and seat (illustration No. 5).

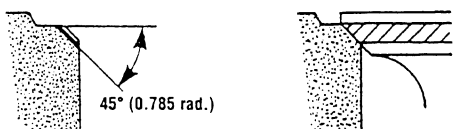
ENGINE SERVICE

- e. Repeat steps c and d until the correct contact is achieved.
- f. Continue lapping until the seating contact becomes more than 70% of the total contact area.

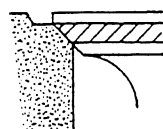
	STANDARD VALUE
Valve seat angle	45.0° (0.785 rad.)



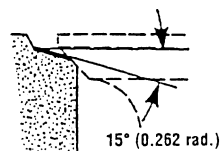
CORRECTING THE VALVE SEAT



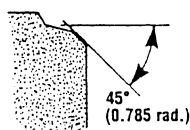
1. SLIGHTLY CORRECT THE SEAT SURFACE



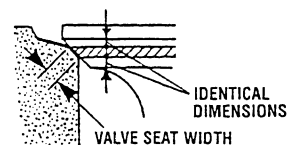
2. CHECK THE CONTACT POSITION



3. CORRECT THE SEAT WIDTH



4. CORRECT THE SEAT SURFACE



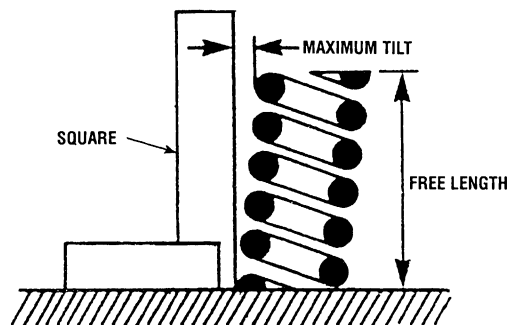
5. RECHECK THE CONTACT

Measuring Valve Spring

1. Measure the free length of the valve spring with vernier calipers (see illustration). If the measurement is less than the limit, replace it.
2. Put the spring on a level surface, place a square on the side of the spring, and check to see if the entire side is in contact with the square. Then rotate the spring and measure the maximum tilt (see illustration). If the measurement exceeds the limit, replace the spring.

3. Check the entire surface of the spring for scratches, and replace the spring if there are any.

	STANDARD VALUE	LIMIT
Free length	1.244 in. (31.6 mm)	1.118 in. (28.4 mm)
Tilt	—	0.047 in. (1.2 mm)

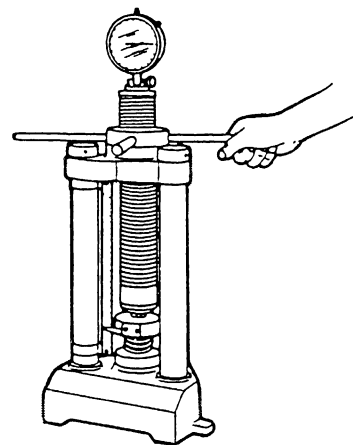


MEASURING VALVE SPRING

Valve Spring Setting Load

1. Place the valve spring on a tester and compress it to the same length that it is compressed in the engine.
2. Read the compression load on the gauge.
3. If the measurement is less than the limit, replace the valve spring.

	STANDARD VALUE	LIMIT
Setting load	14.6 lbs./1.063 in. (6.6 kgf/ 27 mm) (64.7 N/ 27 mm)	—
Setting length	—	12.3 lbs./1.063 in. (5.6 kgf/ 27 mm) (54.9 N/ 27 mm)



VALVE SPRING SETTING LOAD

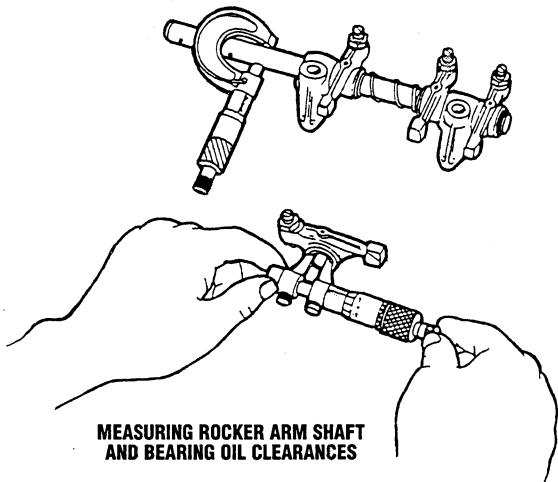
ENGINE SERVICE

Oil Clearance between Rocker Arm Shaft and Rocker Arm Bearing

1. Measure the rocker arm bearing I.D. with an inside micrometer.
2. Measure the rocker arm shaft O.D. with an outside micrometer, then calculate the oil clearance.
3. If the clearance exceeds the limit, replace the rocker arm and measure the oil clearance again. If it still exceeds the limit, replace the rocker arm shaft also.

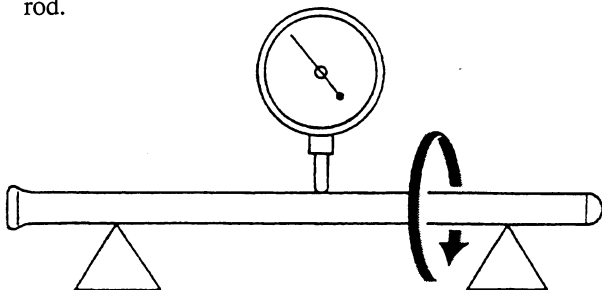
	STANDARD VALUE	LIMIT
Oil Clearance between rocker arm shaft and rocker arm bearing	0.0006 – 0.0017 in. (0.016 – 0.045 mm)	0.0059 in. (0.15 mm)

	STANDARD VALUE
Rocker arm shaft O.D.	0.4123 – 0.4127 in. (10.473 – 10.484 mm)
Rocker arm I.D.	0.413 – 0.414 in. (10.500 – 10.518 mm)



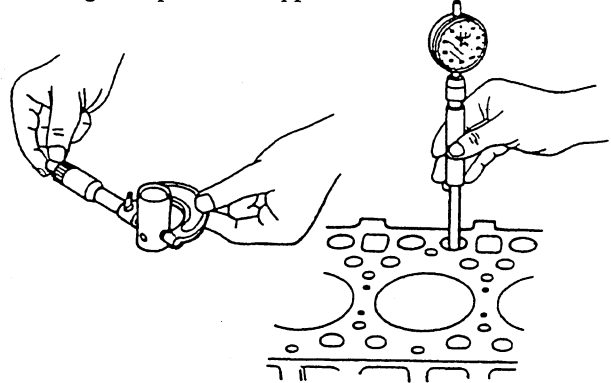
Push Rod Alignment

1. Check both ends of the push rod for cracks, damage and unusual wear.
2. Measure the bending of the push rod with a dial indicator.
3. If the measurement exceeds the limit, replace the push rod.



Oil Clearance between Tappet and Tappet Guide Bore

1. Measure the tappet O.D. with an outside micrometer.
2. Measure the I.D. of the tappet guide bore with a cylinder gauge, and calculate the oil clearance.
3. If the oil clearance exceeds the limit or the tappet is damaged, replace the tappet.

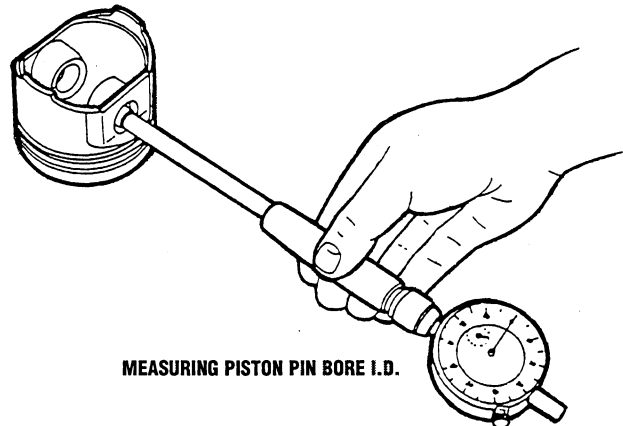


PISTON AND CONNECTING ROD

Piston Pin Bore I.D.

1. Measure the piston pin bore I.D. in both the horizontal and vertical directions with a cylinder gauge.
2. If the measurement exceeds the limit, replace the piston.

	STANDARD VALUE	LIMIT
Piston pin-hole I.D.	0.7874 – 0.7879 in. (20.000 – 20.013 mm)	0.7894 in. (20.05 mm)



Oil Clearance between Piston Pin and Connecting Rod Small End Bushing

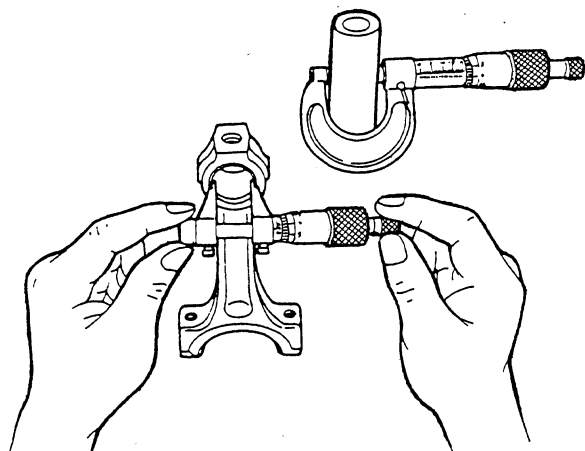
1. Measure the O.D. of the piston pin where it contacts the bushing with an outside micrometer.

ENGINE SERVICE

2. Measure the I.D. of the piston pin bushing at the connecting rod small end with an inside micrometer. Calculate the oil clearance.
3. If the clearance exceeds the limit, replace the bushing. If it still exceeds the limit, replace the piston pin.

	STANDARD VALUE	LIMIT
Oil Clearance between piston pin and small end bushing	0.0005 – 0.0015 in. (0.014 – 0.038 mm)	0.0039 in. (0.10 mm)

	STANDARD VALUE
Piston pin O.D.	0.7874 – 0.7878 in. (20.002 – 20.011 mm)
Small end bushing I.D.	0.7883 – 0.7889 in. (20.025 – 20.040 mm)



MEASURING PISTON PIN AND CONNECTING ROD SMALL END BUSHING OIL CLEARANCE

Replacing Connecting Rod Small End Bushing

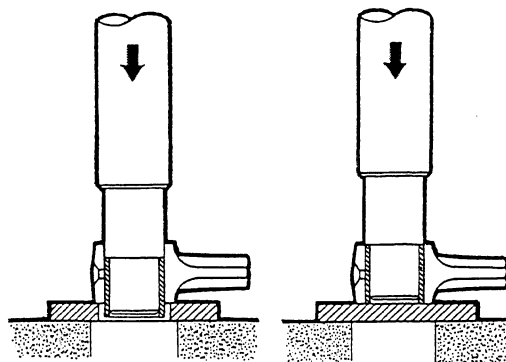
When removing:

1. Press out the existing bushing using a small end bushing replacing tool.

When installing:

1. Clean a new small end bushing and bore, and apply engine oil to them.
2. Using a small end bushing replacing tool, press in a new bushing taking care to see that the connecting rod hole matches the bushing hole.

	STANDARD VALUE	LIMIT
Oil Clearance between piston pin and small end bushing	0.0005 – 0.0029 in. (0.015 – 0.075 mm)	0.0039 in. (0.10 mm)



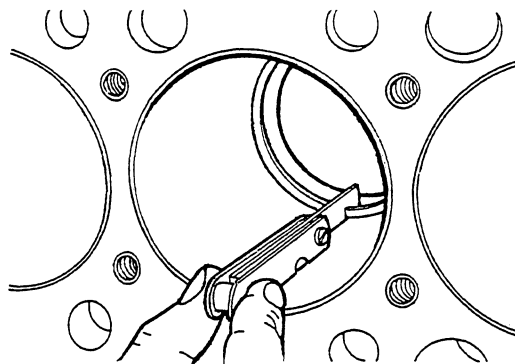
REPLACING CONNECTING ROD SMALL END BUSHING

Piston Ring Gap

1. Insert the piston ring into the lower part of the liner (the least worn out part of the liner) using a piston ring compressor and the piston.
2. Measure the ring gap with a feeler gauge.
3. If the gap exceeds the limit, replace the piston ring.

PISTON RING GAP

	STANDARD VALUE	LIMIT
Ring No.1 (top compression ring) and oil ring	0.005 – 0.011 in. (0.15 – 0.30 mm)	0.047 in. (1.2 mm)
Ring No.2 (second compression ring)	0.011 – 0.017 in. (0.30 – 0.45 mm)	0.047 in. (1.2 mm)



MEASURING PISTON RING GAP

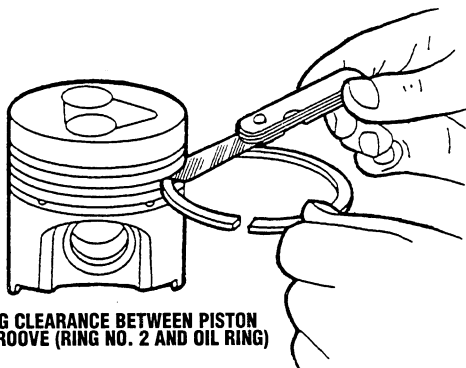
Clearance between Piston Ring and Groove

1. Remove carbon from the ring grooves.
2. Place the ring into the ring groove, and measure the clearance at several points around the ring groove with a feeler gauge.
3. If the clearance exceeds the limit, replace the piston ring. If this is not done, compression leakage and oil shortage would result.
4. If the clearance still exceeds the limit after replacing the piston ring, replace the piston.

ENGINE SERVICE

CLEARANCE BETWEEN PISTON RING AND GROOVE

	STANDARD VALUE	LIMIT
Ring No.2 (second compression ring)	0.003 – 0.004 in. (0.085 – 0.115 mm)	0.005 in. (0.15 mm)
Oil Ring	0.0008 – 0.0024 in. (0.02 – 0.06 mm)	0.0059 in. (0.15 mm)



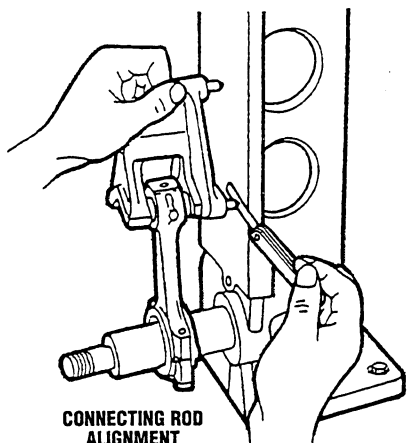
MEASURING CLEARANCE BETWEEN PISTON RING AND GROOVE (RING NO. 2 AND OIL RING)

Connecting Rod Alignment

NOTE: Since the I.D. of the connecting rod small end bushing is the basis of this check, check this bushing for wear beforehand.

1. Remove the crankpin bearing, and install the connecting rod cap.
2. Install the piston pin in the connecting rod.
3. Install the connecting rod on the connecting rod alignment tool.
4. Put a gauge over the piston pin, and move it against the face plate.
5. If the gauge does not fit squarely against the face plate, measure the space between the pins of the gauge and the face plate.
6. If the measurement exceeds the limit, replace the connecting rod.

	LIMIT
Bend of connecting rod	0.002 in. (0.05 mm) (gauge pin span at 3.94 in., 100 mm)



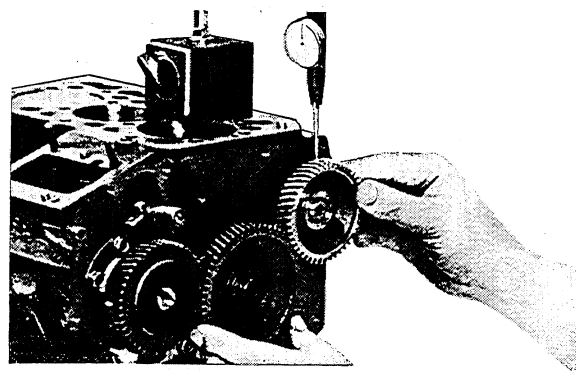
CONNECTING ROD ALIGNMENT

TIMING GEARS AND CAMSHAFT

Timing Gear Backlash

1. Set a dial indicator (lever type) with its tip on the gear tooth.
2. Move the gear to measure the backlash, holding its mating gear.
3. If the backlash exceeds the limit, check the oil clearance of the shaft and gear.
4. If the oil clearance is correct, replace the gear.

	STANDARD VALUE	LIMIT
Backlash between idler gear and crank gear	0.001 – 0.004 in. (0.043 – 0.124 mm)	0.005 in. (0.15 mm)
Backlash between idler gear and cam gear	0.001 – 0.004 in. (0.047 – 0.123 mm)	0.005 in. (0.15 mm)
Backlash between idler gear and injection pump gear	0.001 – 0.004 in. (0.046 – 0.124 mm)	0.005 in. (0.15 mm)
Backlash between oil pump gear and crank gear	0.001 – 0.004 in. (0.041 – 0.123 mm)	0.005 in. (0.15 mm)



MEASURING TIMING GEAR BACKLASH

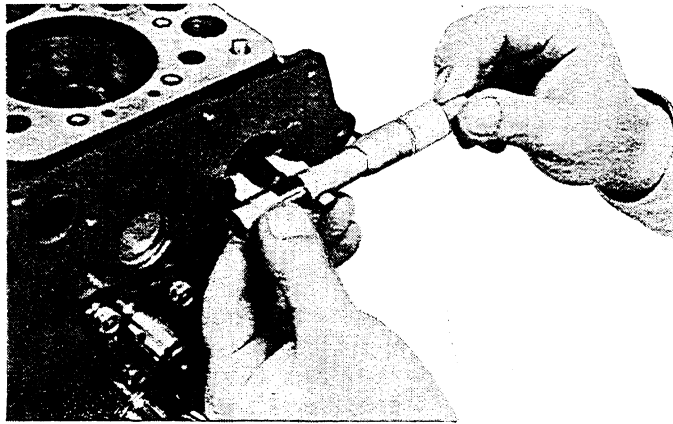
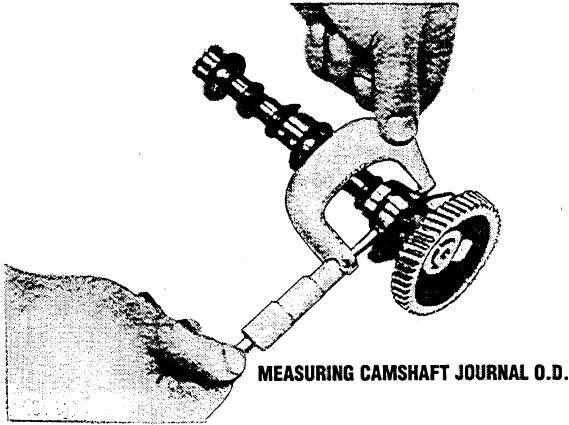
Camshaft Journal Oil Clearance

1. Measure the camshaft journal O.D. with an outside micrometer.
2. Measure the cylinder block bore I.D. for the camshaft with an inside micrometer. Calculate the oil clearance.
3. If the clearance exceeds the limit, replace the camshaft.

	STANDARD VALUE	LIMIT
Camshaft journal oil clearance	0.001 – 0.003 in. (0.050 – 0.091 mm)	0.005 in. (0.15 mm)

	STANDARD VALUE
Camshaft journal O.D.	1.296 – 1.297 in. (32.934 – 32.950 mm)
Cylinder block bore I.D. (bearing portion)	1.299 – 1.300 in. (33.000 – 33.025 mm)

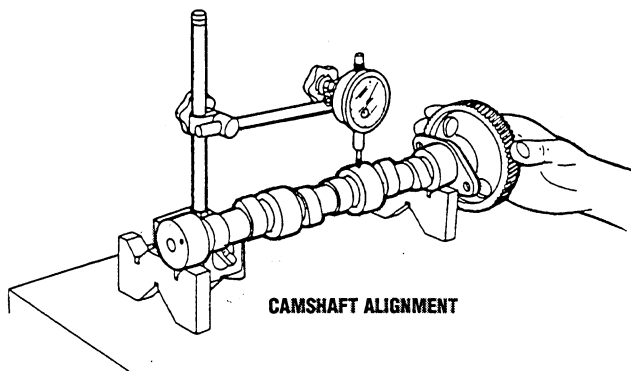
ENGINE SERVICE



Camshaft Alignment

1. Support the camshaft with V blocks on the surface plate and set a dial indicator with its tip on the intermediate journal at a right angle.
2. Rotate the camshaft on the V blocks and get the misalignment (half of the measurement).
3. If the misalignment exceeds the limit, replace the camshaft.

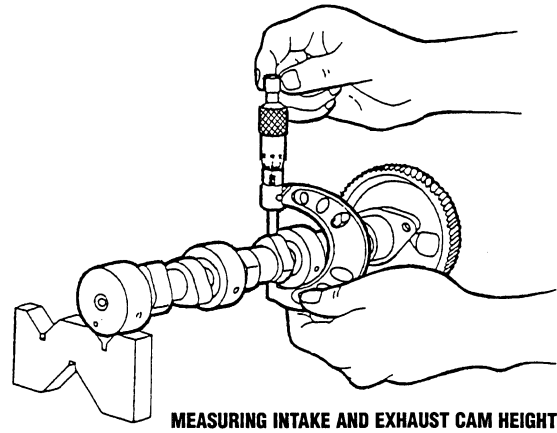
	LIMIT
Misalignment	0.0004 in. (0.01 mm)



Intake and Exhaust Cam Height

1. Measure the height of the cam at its highest point with an outside micrometer.
2. If the measurement is less than the limit, replace the camshaft.

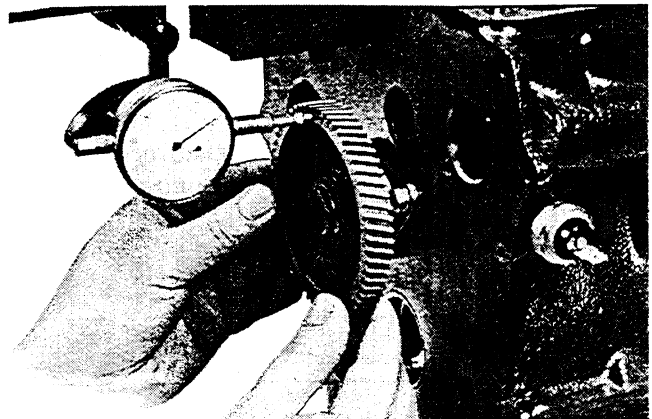
	STANDARD VALUE	LIMIT
Intake and exhaust cam heights	1.058 in. (26.88 mm)	1.056 in. (26.83 mm)



Idler Gear Side Clearance

1. Set a dial indicator with its tip on the idler gear.
2. Measure the side clearance by moving the idler gear to the front and to the rear.
3. If the measurement exceeds the limit, replace the idler gear or idler gear shaft.

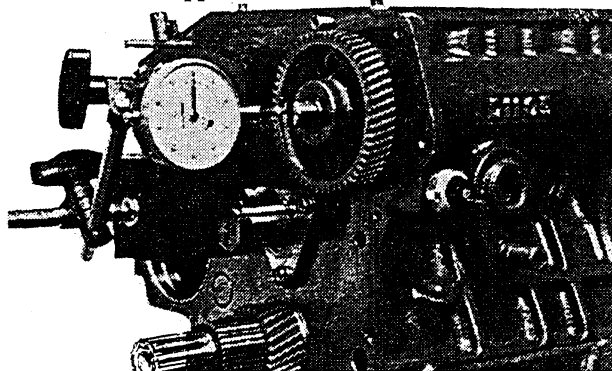
	STANDARD VALUE	LIMIT
Idler gear side clearance	0.007 – 0.020 in. (0.20 – 0.51 mm)	0.023 in. (0.60 mm)



ENGINE SERVICE

Camshaft Side Clearance

1. Set a dial indicator with its tip on the camshaft.
2. Measure the side clearance by moving the cam gear to the front and to the rear.
3. If the measurement exceeds the limit, replace the camshaft stopper.



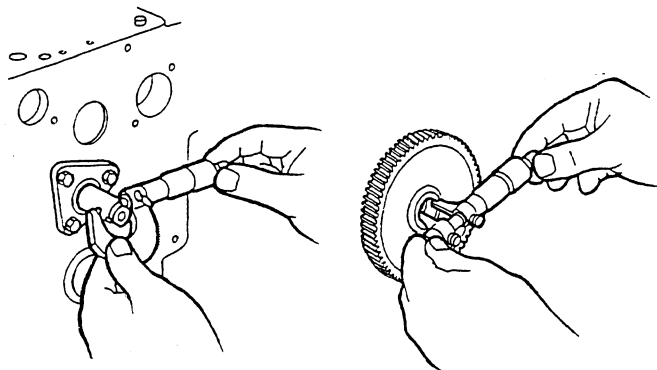
MEASURING CAMSHAFT SIDE CLEARANCE

Oil Clearance between Idler Gear Shaft and Idler Gear Bushing

1. Measure the idler gear shaft O.D. with an outside micrometer.
2. Measure the idler gear bushing's I.D. with an inside micrometer, and calculate the oil clearance.
3. If the oil clearance exceeds the limit, replace the bushing. If it still exceeds the limit, replace the idler gear shaft.

	STANDARD VALUE	LIMIT
Oil Clearance between idler gear shaft and idler gear bushing	0.0007 – 0.0033 in. (0.020 – 0.084 mm)	0.0039 in. (0.10 mm)

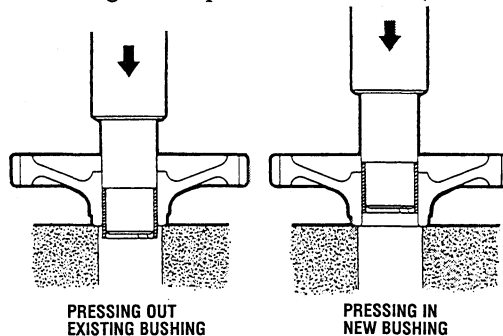
	STANDARD VALUE
Idler gear shaft O.D.	0.7861 – 0.7866 in. (19.967 – 19.980 mm)
Idler gear bushing I.D.	0.787 – 0.789 in. (20.000 – 20.051 mm)



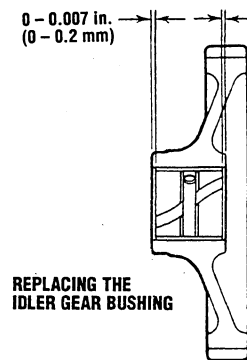
MEASURING OIL CLEARANCE BETWEEN IDLER GEAR SHAFT AND IDLER GEAR BUSHING

Replacing the Idler Gear Bushing

1. Using an idler gear bushing replacing tool (see *SPECIAL TOOLS*), press out the existing bushing.
2. Clean a new idler gear bushing and the idler gear bore, and apply engine oil to them.
3. Using the idler gear bushing replacing tool, press in a new bushing to the specified dimension (see illustration).



0 – 0.007 in.
(0 – 0.2 mm)



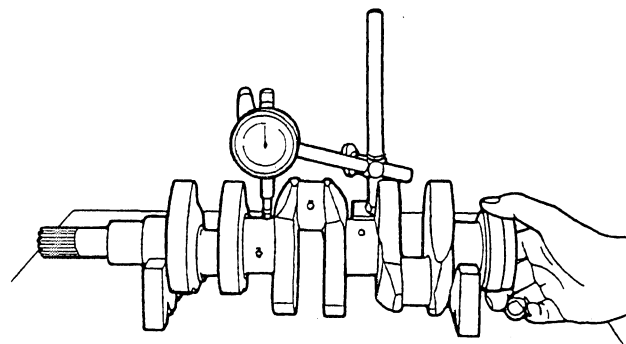
REPLACING THE IDLER GEAR BUSHING

CRANKSHAFT

Crankshaft Alignment

1. Support the crankshaft with V blocks on the surface plate and set a dial indicator with its tip on the intermediate journal at a right angle.
2. Rotate the crankshaft on the V blocks and get the misalignment (half of the measurement).
3. If the misalignment exceeds the limit, replace the crankshaft.

	LIMIT
Misalignment	0.0008 in. (0.02 mm)



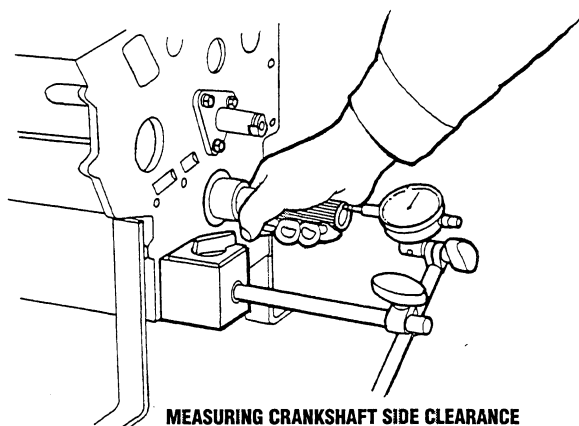
CRANKSHAFT ALIGNMENT

ENGINE SERVICE

Crankshaft Side Clearance

1. Set a dial indicator with its tip on the end of the crankshaft.
2. Measure the side clearance by moving the crankshaft to the front and to the rear.
3. If the measurement exceeds the limit, replace the thrust bearings.
4. If a same-size thrust bearing is inadequate because of crankshaft journal wear, replace it with an oversize thrust bearing (see illustration and table).

	STANDARD VALUE	LIMIT
Crankshaft side clearance	0.005 – 0.012 in. (0.15 – 0.31 mm)	0.019 in. (0.50 mm)

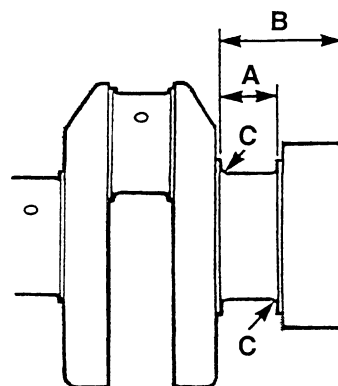


OVERSIZE THRUST BEARING

OVERSIZE	BEARING	MARKING
0.008 in. (0.2 mm)	Thrust bearing No. 1 02	020 OS
	Thrust bearing No. 2 02	
0.016 in. (0.4 mm)	Thrust bearing No. 1 04	040 OS
	Thrust bearing No. 2 04	

OVERSIZE DIMENSIONS OF CRANKSHAFT JOURNAL

OverSIZE Dimension	0.008 in. (0.2 mm)	0.016 in. (0.4 mm)
A	0.913 – 0.915 in. (23.40 – 23.45 mm)	0.921 – 0.923 in. (23.80 – 23.85 mm)
B	1.815 – 1.823 in. (46.1 – 46.3 mm)	1.823 – 1.831 in. (46.3 – 46.5 mm)
C	0.071 – 0.087 in. radius (1.8 – 2.2 mm radius)	0.071 – 0.087 in. radius (1.8 – 2.2 mm radius)
(0.4-S) The crankshaft journal must be fine-finished to higher than $\nabla\nabla\nabla\nabla$		



Oil Clearance between Crankpin and Crankpin Bearing

1. Clean the crankpin and crankpin bearing.
2. Put a strip of plastigauge on the center of the crankpin.

CAUTION: Never insert the plastigauge into the crank pin oil hole.

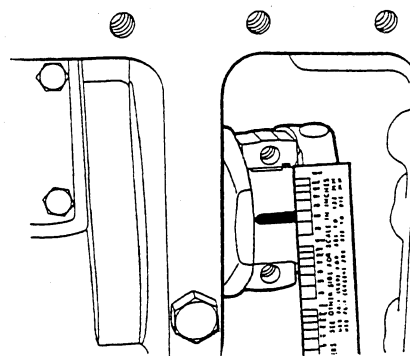
3. Install the connecting rod cap and tighten the connecting rod screws to the specified torque, then remove the cap.

Connecting rod cap screws tightening torque:

19.5 – 22.4 ft-lbs (2.7 – 3.1 kgf-m) (26.5 – 30.4 Nm)

NOTE: Be sure not to move the crankshaft while the connecting rod screws are tightened.

4. Measure the amount of flattening with the scale, and get the oil clearance.



5. If the oil clearance exceeds the limit, replace the crankpin bearing.
6. If a same-size bearing is too big because of crankpin wear, replace it with an undersize bearing (see illustration and table).

	STANDARD VALUE	LIMIT
Oil Clearance between crankpin and crankpin bearing	0.0007 – 0.0031 in. (0.019 – 0.081 mm)	0.0059 in. (0.15 mm)

ENGINE SERVICE

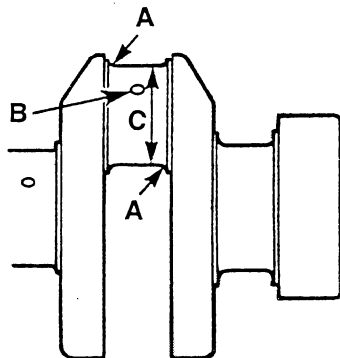
	STANDARD VALUE
Crankpin O.D.	1.336 – 1.337 in. (33.959 – 33.975 mm)
Crankpin bearing I.D.	1.338 – 1.340 in. (33.994 – 34.040 mm)

UNDERSIZE CRANKPIN BEARING

UNDERSIZE	BEARING	MARKING
0.008 in. (0.2 mm)	Crankpin bearing 02	020 US
0.016 in. (0.4 mm)	Crankpin bearing 04	040 US

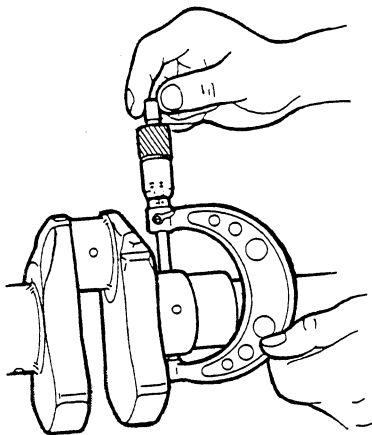
UNDERSIZE DIMENSIONS OF CRANKPINS

Undersize Dimension	0.008 in. (0.2 mm)	0.016 in. (0.4 mm)
A	0.091 – 0.106 in. radius (2.3 – 2.7 mm radius)	0.091 – 0.106 in. radius (2.3 – 2.7 mm radius)
B	0.16 in. dia. (4 mm dia.)	0.16 in. dia. (4 mm dia.)
C	1.3291 – 1.3297 in. (33.759 – 33.775 mm)	1.3212 – 1.3218 in. (33.559 – 33.575 mm)
(0.4-S)		
The crankpin must be fine-finished to higher than $\nabla\nabla\nabla\nabla$		



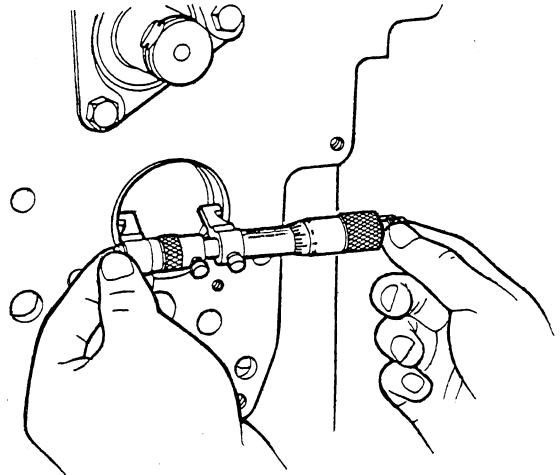
Oil Clearance between Crankshaft Journal and Crankshaft Bearing No. 1

1. Measure the O.D. of the crankshaft's front journal with an outside micrometer.



MEASURING O.D. OF CRANKSHAFT FRONT JOURNAL

2. Measure the I.D. of the crankshaft bearing No. 1 with an inside micrometer, and calculate the oil clearance.



MEASURING I.D. OF CRANKSHAFT BEARING NO. 1

3. If the oil clearance exceeds the limit, replace crankshaft bearing No. 1.
4. If a same-size bearing is too big because of crankshaft journal wear, replace it with an undersize bearing (see illustration and table).

	STANDARD VALUE	LIMIT
Oil Clearance between crankshaft journal and crankshaft bearing No. 1	0.001 – 0.004 in. (0.034 – 0.106 mm)	0.007 in. (0.20 mm)

	STANDARD VALUE
Crankshaft journal O.D.	1.5722 – 1.5728 in. (39.934 – 39.950 mm)
Crankshaft bearing No. 1 I.D.	1.574 – 1.576 in. (39.984 – 40.040 mm)

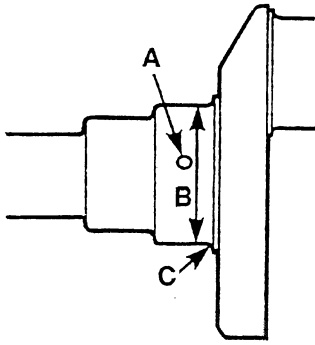
UNDERSIZE CRANKSHAFT BEARING NO. 1

UNDERSIZE	BEARING	MARKING
0.008 in. (0.2 mm)	Crankshaft bearing No. 1 02	020 US
0.016 in. (0.4 mm)	Crankshaft bearing No. 1 04	040 US

UNDERSIZE DIMENSIONS OF CRANKSHAFT JOURNAL

Undersize Dimension	0.008 in. (0.2 mm)	0.016 in. (0.4 mm)
A	0.20 in. dia. (5 mm dia.)	0.20 in. dia. (5 mm dia.)
B	1.5643 – 1.5649 in. (39.734 – 39.534 mm)	1.556 – 1.557 in. (39.534 – 39.550 mm)
C	0.071 – 0.087 in. radius (1.8 – 2.2 mm radius)	(0.071 – 0.087 in. radius) (1.8 – 2.2 mm radius)
(0.4-S)		
The crankshaft journal must be fine-finished to higher than $\nabla\nabla\nabla\nabla$. Chamfer the oil hole with an oilstone.		

ENGINE SERVICE



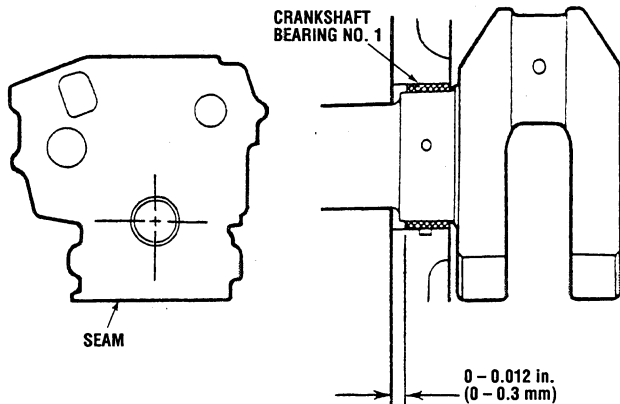
Replacing Crankshaft Bearing No. 1

When removing:

1. Press out the existing crankshaft bearing No. 1 using a crankshaft bearing No 1 replacing tool.

When installing:

1. Clean a new crankshaft bearing No. 1 and the crankshaft journal bore, then apply engine oil to them.
2. Using the crankshaft bearing No. 1 replacing tool, press in a new bearing No. 1 so that its seam faces the exhaust manifold side.



REPLACING CRANKSHAFT BEARING NO. 1

Oil Clearance between Crankshaft Journal and Crankshaft Bearings No. 2 & No. 3

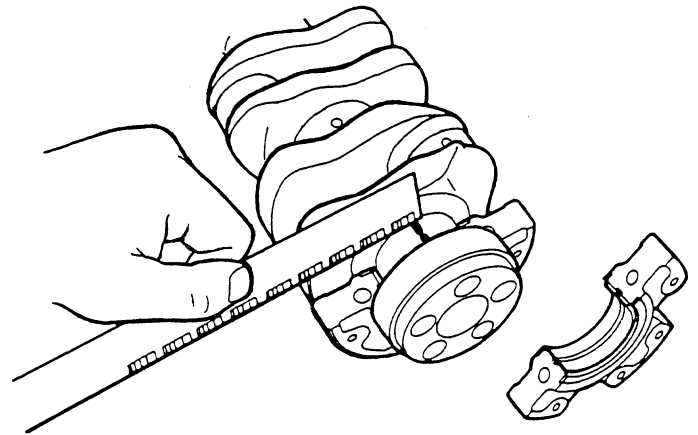
1. Put a strip of plastigauge on the center of the journal.
2. Install the bearing case and tighten the bearing case screws to the specified torque, then remove the bearing case.

Bearing case screws tightening torque:

9.4 – 11.6 ft-lbs (1.3 – 1.6 kgf-m) (12.7 – 15.7 Nm)

NOTE: Be sure not to move the crankshaft while the bearing case screws are tightened.

3. Measure the amount of the flattening with the scale, and get the oil clearance.



4. If the oil clearance exceeds the limit, replace the crankshaft bearing No. 2 or No. 3.
5. If a same-size bearing is too big because of the crankshaft journal wear, use an undersize one (see illustration and table).

	STANDARD VALUE	LIMIT
Oil Clearance between crankshaft journal and crankshaft bearing No. 2 and No. 3	0.001 – 0.003 in. (0.034 – 0.092 mm)	0.007 in. (0.20 mm)
Crankshaft journal O.D. (flywheel side)	1.729 – 1.730 in. (43.934 – 43.950 mm)	—
Crankshaft bearing No. 2 I.D.	1.731 – 1.733 in. (43.984 – 44.026 mm)	—
Crankshaft journal O.D. (intermediate)	1.5722 – 1.5728 in. (39.934 – 39.950 mm)	—
Crankshaft bearing No. 3 I.D.	1.574 – 1.575 in. (39.984 – 40.026 mm)	—

UNDERSIZE CRANKSHAFT BEARINGS NO. 2 & NO. 3

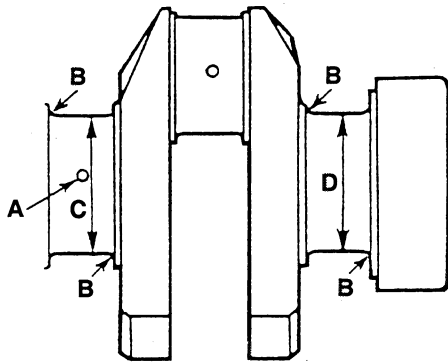
UNDERSIZE	BEARING	MARKING
0.008 in. (0.2 mm)	Crankshaft bearing No. 2 02 Crankshaft bearing No. 3 02	020 US
0.016 in. (0.4 mm)	Crankshaft bearing No. 2 04 Crankshaft bearing No. 3 04	040 US

UNDERSIZE DIMENSIONS OF CRANKSHAFT JOURNAL

Undersize Dimension	0.008 in. (0.2 mm)	0.016 in. (0.4 mm)
A	0.12 in. dia. (3 mm dia.)	0.12 in. dia. (3 mm dia.)
B	0.071 – 0.087 in. radius (1.8 – 2.2 mm radius)	0.071 – 0.087 in. radius (1.8 – 2.2 mm radius)
C	1.5643 – 1.5649 in. (39.734 – 39.750 mm)	1.556 – 1.557 in. (39.534 – 39.550 mm)
D	1.721 – 1.722 in. (43.734 – 43.750 mm)	1.713 – 1.714 in. (43.534 – 43.550 mm)

(0.4-S)
The crankshaft journal must be fine-finished to higher than ▽▽▽▽

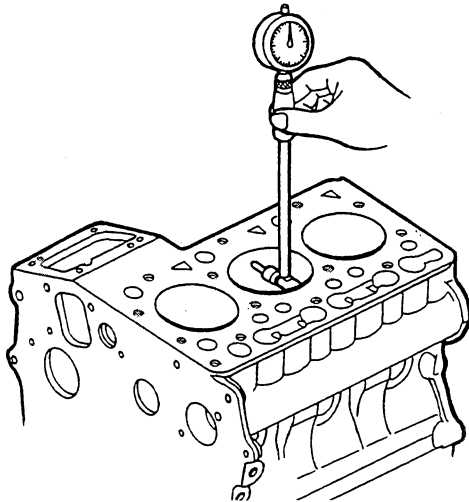
ENGINE SERVICE



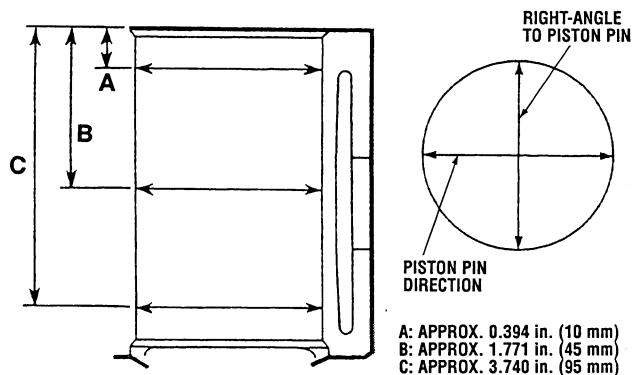
CYLINDER

Cylinder Wear

1. Measure the I.D. of the cylinder at the six positions shown in the illustration with a cylinder gauge to find the maximum and minimum I.D.'s.



MEASURING THE I.D. OF THE CYLINDERS



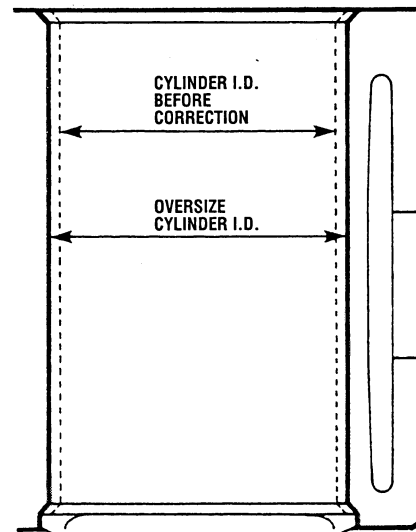
2. Determine the difference (maximum wear) between the maximum and minimum I.D.'s.
3. If the maximum wear exceeds the limit, bore and hone to the oversize dimension (see *Correcting Cylinder*, below).
4. Visually check the cylinder wall for scratches. If deep scratches are found, the cylinder should be bored (see *Correcting Cylinder*, below).

	STANDARD VALUE	LIMIT
Cylinder I.D.	2.637 – 2.638 in. (67.000 – 67.019 mm)	—
Maximum Wear	—	0.005 in. (0.15 mm)

Correcting Cylinder

1. When the cylinder is worn beyond the limit, bore and hone it to the specified dimension.

	STANDARD VALUE	LIMIT
Oversize Cylinder I.D.	2.647 – 2.648 in. (67.250 – 67.269 mm)	—
Maximum Wear	—	0.005 in. (0.15 mm)



CORRECTING THE CYLINDER

2. Replace the piston and the piston rings with oversize rings.

OVERSIZE	PART NAME	MARKING
0.0098 in. (0.25 mm)	Piston	0.25 OS
0.0098 in. (0.25 mm)	Piston Ring Assembly	0.25 OS

NOTE: When an oversize cylinder is worn beyond the limit, sleeve the block to return the cylinder to the standard size.

ENGINE ADJUSTMENTS

NOTE: UNIVERSAL recommends that the following engine adjustments be performed by a competent engine mechanic. The information below is provided to assist the mechanic.

VALVE CLEARANCE ADJUSTMENT

NOTE: Valve adjustments should not be necessary under normal operating conditions. These adjustments, when required, should be performed by an authorized mechanic.

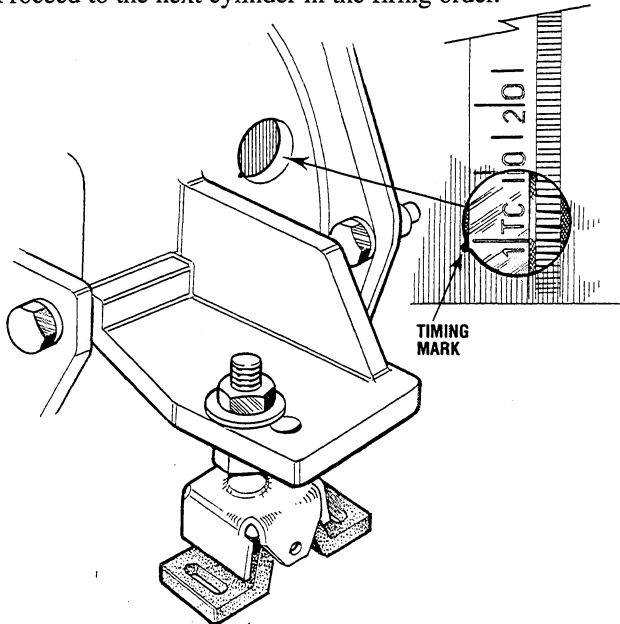
Remove the valve rocker cover to expose the engine's valve train. Remove the glow plugs from each of the cylinders to enable the engine to be easily rotated by hand to position each cylinder for valve adjustment.

The valves are adjusted with the piston in the cylinder positioned at TDC (Top Dead Center) of its compression stroke. Each cylinder is adjusted following the engine's firing order.

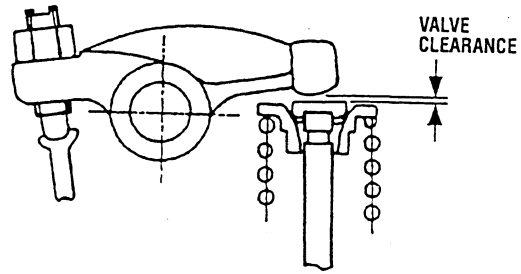
Firing Order: 1 - 2 - 3

Adjust the valves beginning with Cylinder No. 1. Rotate the crankshaft slowly and observe the operation of the valves for Cylinder No.1. Watch for the intake valve to open indicating the piston is on its intake stroke (the piston is moving down in the cylinder). Continue to rotate the crankshaft slowly and look for the intake valve to close. The piston is now starting its compression stroke (the piston is moving up in the cylinder towards TDC).

Watch the timing hole in the bellhousing for the timing numbers to appear. Position the 1TC mark in alignment with the notch in the timing hole. The piston in Cylinder No. 1 is now at TDC. Adjust the valves in Cylinder No. 1. Proceed to the next cylinder in the firing order.



Rotate the crankshaft 240° in the normal direction of rotation and adjust the No. 2 Cylinder's valves. Rotate the crankshaft another 240° and adjust the No. 3 Cylinder's valves.



	STANDARD VALUE
Valve clearance (engine cold)	0.0059 - 0.0073 in. (0.145 - 0.185 mm)

TOP CLEARANCE

1. Remove the cylinder head (remove the cylinder head gasket completely).
2. Bring the piston to its top dead center. Measure the top clearance using a plastigauge. Position the plastigauge on the piston top.
3. Bring the piston to its middle position, install the cylinder head, and tighten the cylinder head bolts to their specified torque. (The head gasket must be changed to a new one.)
4. Turn the crankshaft until the piston exceeds its top dead center.
5. Remove the cylinder head and measure the clearance.
6. If the measurement is not within the standard value, check the oil clearance of the crankpin journal and the piston pin.

	STANDARD VALUE
Top clearance	0.0197 - 0.0276 in. (0.50 - 0.70 mm)

Tightening torque	Cylinder head mounting bolts	28.9 - 32.5 ft-lbs (4.0 - 4.5 kgf/m) (39.2 - 44.1 Nm)

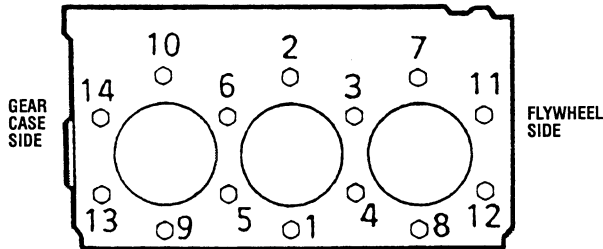
TIGHTENING THE CYLINDER HEAD BOLTS

Pull off the air breather pipe from the rocker cover and remove the rocker cover. Retighten the cylinder head bolts to their specified torque as shown in the diagram. Make sure the engine is cold when this is done. Before applying the specified torque to a bolt, loosen it 1/4 to 1/2 a turn and then apply the torque.

ENGINE ADJUSTMENTS

NOTE: UNIVERSAL recommends that the following engine adjustments be performed by a competent engine mechanic. The information below is provided to assist the mechanic.

Tighten the cylinder head bolts in an ascending sequence, from 1 to 14 (see illustration).



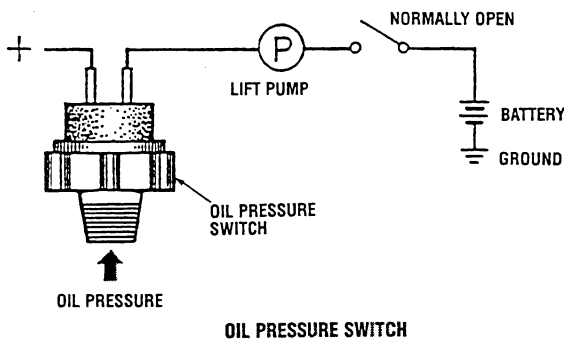
OIL PRESSURE

The engine's oil pressure, during operation, is indicated by the oil pressure gauge on the instrument panel. During normal operation, the oil pressure will range between 40 – 60 psi (2.8 – 4.2 kg/cm²) (276 – 414 kPa).

NOTE: A newly started, cold engine can have an oil pressure reading up to 60 psi (4.2 kg/cm²). A warmed engine can have an oil pressure reading as low as 35 psi (2.5 kg/cm²). These readings will vary depending upon the temperature of the engine and the rpms.

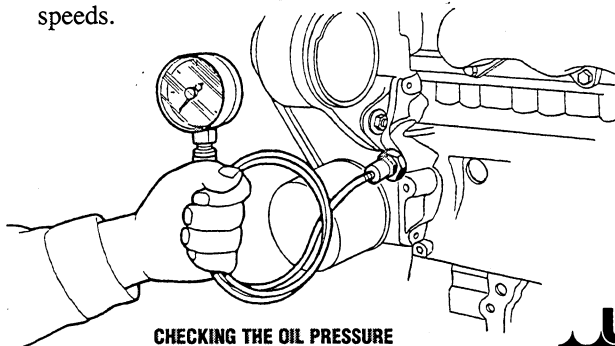
Low Oil Pressure

The specified safe minimum oil pressure is 5 – 10 psi (0.35 – 0.70 kg/cm²) (34.5 – 69.0 kPa). A gradual loss of oil pressure usually indicates worn bearings. For additional information on low oil pressure readings, see *ENGINE TROUBLESHOOTING*.



Checking the Oil Pressure

1. Remove the oil pressure switch and install a mechanical oil pressure gauge in its place.
2. Start the engine. After warming up to operating temperature, measure the oil pressure at both idling and rated speeds.



	STANDARD VALUE	LIMIT
Engine oil pressure		
At idle speed	15 psi. (1.05 kgf/cm ²) (103.4 kPa)	—
At rated speed	40 – 60 psi. (2.8 – 4.2 kgf/cm ²) (276 – 414 kPa)	15 psi. (1.05 kgf/cm ²) (103.4 kPa)

3. If the oil pressure is less than the specified limit, check the following:
 - a. Engine oil insufficient.
 - b. Oil pump defective.
 - c. Oil strainer clogged.
 - d. Oil filter clogged.
 - e. Oil gallery clogged.
 - f. Excessive oil clearance of bearing.
 - g. Foreign matter in the relief valve.

When Reassembling:

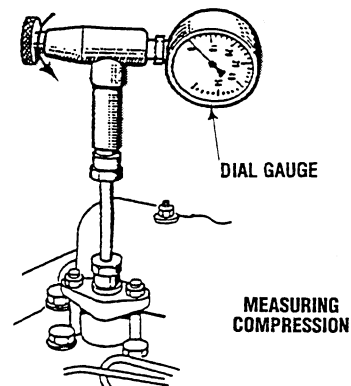
1. After checking the engine oil pressure, tighten the engine oil pressure switch to the specified torque.

Tightening torque	Oil pressure switch	10.8 – 14.5 ft-lbs (1.5 – 2.0 kgf/m) (14.7 – 19.6 Nm)
-------------------	---------------------	---

TESTING ENGINE COMPRESSION

Make certain the oil level (dipstick) is at the correct level and the air intake filter is clean. The battery and starter motor must also be in good condition.

1. Warm the engine to normal operating temperature.
2. Move the control lever to a position for shutting off the fuel. (Disconnect the wires if a fuel shutdown solenoid is used.)
3. Remove all the glow plugs from the engine and install the compression gauge/adaptor combination to the cylinder on which the compression is to be measured.



ENGINE ADJUSTMENTS

NOTE: *UNIVERSAL recommends that the following engine adjustments be performed by a competent engine mechanic. The information below is provided to assist the mechanic.*

4. Close the raw water seacock (thru-hull).
5. Crank the engine and allow the gauge to reach a maximum reading. Record the reading.
6. Repeat this process for each cylinder. Look for cylinders with dramatically (at least 20%) lower compression than the average of the others.

Compression pressure at cranking speed:

Standard value: 412 – 469 psi (29 – 33 kgf/cm²)
(2.84 – 3.24 MPa)

Limit: 327 psi (23 kgf/cm²) (2.26 MPa)

Maximum difference between cylinders:
10% or less.

NOTE: *If the readings are below the limit, the engine needs an overhaul.*

7. Re-install the glow plugs (use anti-seize compound on the threads) and reset the fuel shut-off to the run position.
8. **Open the raw water seacock (thru-hull).**

If a weak cylinder is flanked by healthy cylinders, the problem is either valve- or piston- related. Check the valve clearances for the weak cylinder, adjust as needed, and test again. If the cylinder is still low, apply a small amount of oil into the cylinder to seal the rings, and repeat the test. If the compression comes up, the rings are faulty.

Abnormally high readings on all cylinders indicate heavy carbon accumulation, a condition that might be accompanied by high pressures and noise.

NOTE: *In case of severe vibrations and detonation noise, have the injectors checked and overhauled by an authorized fuel injection service center. Poor fuel quality, contaminants and loss of positive fuel pressure to the injection pump will result in injector faults.*

When low compression is found, determine the cause by applying a small amount of oil in the cylinder through the glow plug hole. Allow the oil to settle.

Install the pressure gauge and repeat the above test. If the compression reading rises dramatically, the fault is with the rings. If the compression value does not rise, the problem is with the valves.

A slight rise in compression would indicate a problem with both the rings and the valves.

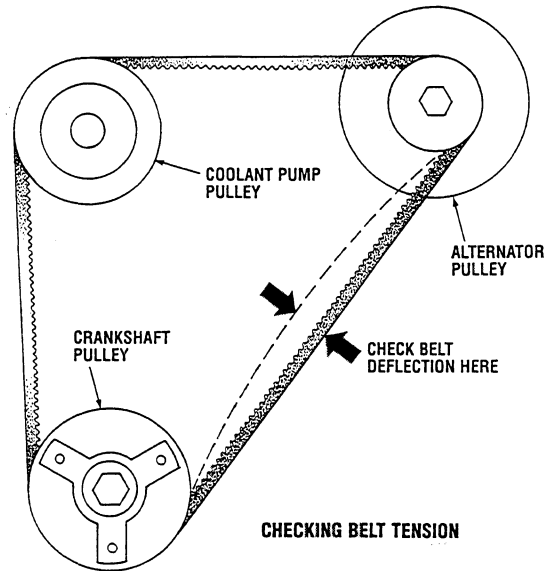
DRIVE BELT ADJUSTMENT

The drive belt must be properly tensioned. A loose drive belt will not provide proper alternator charging and will eventually damage the alternator. A drive belt that is too tight will pull the alternator out of alignment and/or cause the alternator to wear out prematurely. Excessive drive belt tension can also cause rapid wear of the belt and reduce the service life of the coolant pump's bearing. A slack belt or the presence of oil on the belt can cause belt slipping, resulting in high operating temperatures and tachometer variations.

⚠ WARNING: *Never attempt to check or adjust the drive belt's tension while the engine is in operation.*

Checking Belt Tension

1. To check the belt tension, press the belt at the midpoint between the alternator pulley and the crankshaft pulley with a force of 22 lbs. (10 kfg) (98 N). The belt deflection should be 3/8 in. – 1/2 in. (10 – 12 mm) deep.



Adjusting Belt Tension

1. To adjust the belt tension, loosen the alternator adjusting strap bolt and the base mounting bolt.
2. With the belt loose, inspect the belt for damage, wear, cracks and frayed edges. If the belt is damaged, replace it. If it is nearly worn out and deeply sunk in the pulley groove, replace it.



3. Pivot the alternator on the base mounting bolt to the left or right as required, to loosen or tighten.
4. Tighten the base mounting bolt and the adjusting strap bolt securely.
5. Run the engine for about 5 minutes, then shut down and recheck the belt tension.

ENGINE ADJUSTMENTS

NOTE: *UNIVERSAL recommends that the following engine adjustments be performed by a competent engine mechanic. The information below is provided to assist the mechanic.*

IDLE SPEED ADJUSTMENT & TACHOMETER CHECK (New Installation)

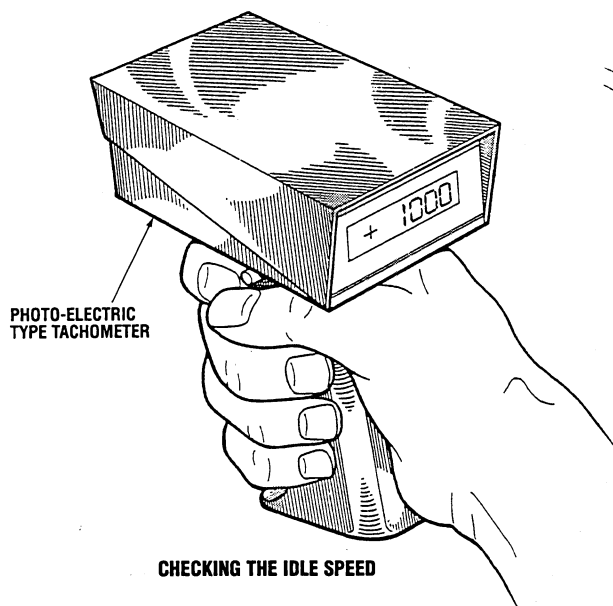
Checking the Idle Speed

Use a photoelectric-type tachometer to check the idle speed.

NOTE: *In a new installation having new instrument panels, the tachometer may not always be correctly calibrated to the engine's rpm. This calibration should be checked in all new installations.*

1. Warm up the engine to normal operating temperature. Remove any specks on the crankshaft pulley with a clean cloth and place a piece of suitable reflecting tape on the pulley to facilitate the use of the tachometer.
2. Start and idle the engine.
3. Aim the light of the tachometer onto the reflecting tape to confirm the engine speed. Check the instrument panel tachometer reading. Adjust the tachometer in the panel by using the instrument calibration pod as needed to bring the instrument panel tachometer into the same rpm reading as the engine.
4. Adjust the idle speed if the engine speed is not within the specified value.

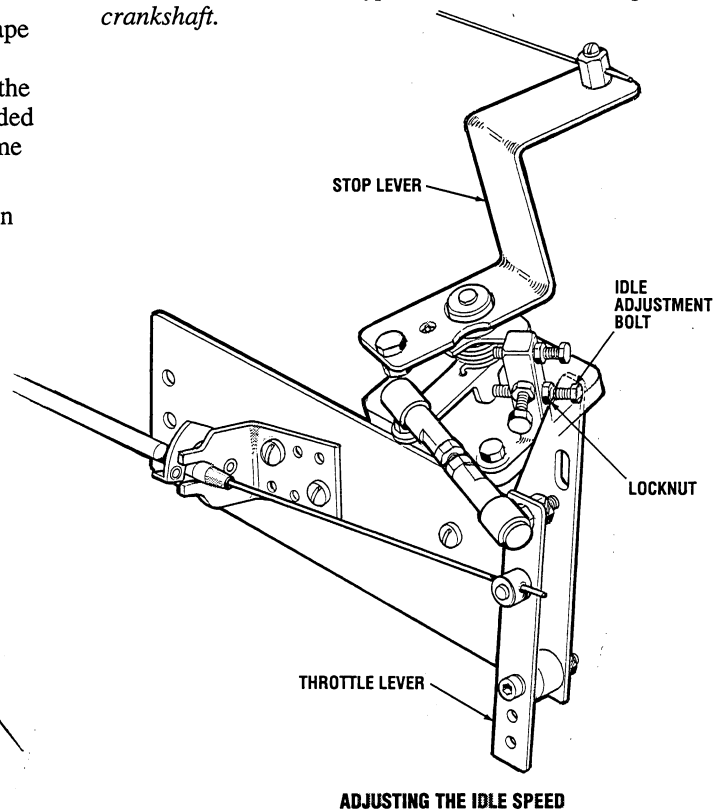
Normal idle speed: 1000 – 1200 rpm



Adjusting the Idle Speed

1. Loosen the locknut on the idle adjustment bolt on the fuel injection pump.
2. Turn the idle adjustment bolt until the idling speed is within the standard range. The idle speed will increase when the adjusting bolt is turned clockwise and decrease when the bolt is turned counterclockwise.
3. Tighten the locknut.
4. Race the engine several times to ensure the idle speed remains as set.

NOTE: *Should the engine rpm be in question, verify the tachometer readings as shown at the instrument panel with a mechanical or strobe-type tachometer at the engine crankshaft.*

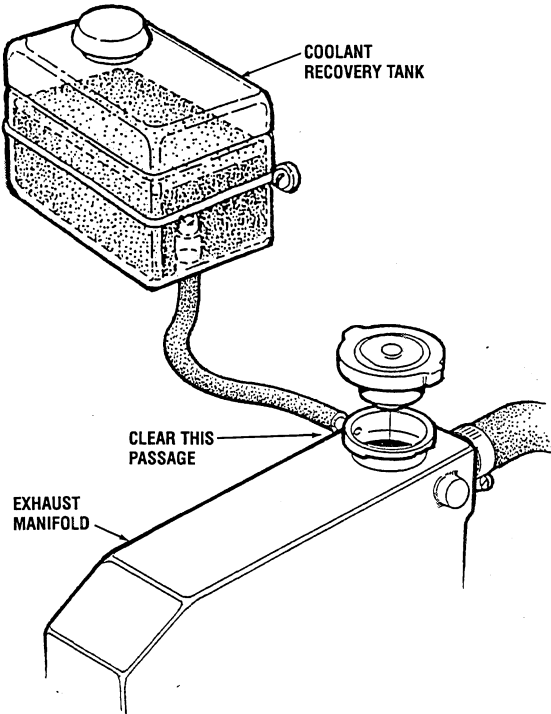


EXHAUST MANIFOLD SERVICE

EXHAUST MANIFOLD

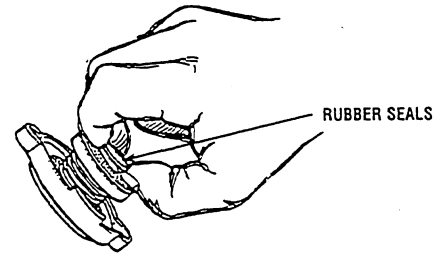
The exhaust manifold, which was disassembled from the cylinder head, should be inspected before reassembly.

1. Remove the exhaust nipples, elbows and plugs from the manifold.
2. Examine all parts for defects, corrosion and wear, and replace as needed.
3. Flush out the manifold's interior with a liquid cleaner and rinse thoroughly with fresh water.
4. Use a pipe cleaner to clear the passage that connects the filler neck to the coolant recovery tank tubing.
5. Flush out the coolant recovery tank and its connecting tube.



ASSEMBLY

1. If the manifold was removed as an assembly and left intact, it can be replaced on the cylinder head in the reverse order of removal.
Do not reuse the gaskets; install new ones.
 - a. Loosely attach the manifold elbows to the cylinder head using new gaskets. Do not use any gasket sealant on these gaskets.
 - b. Gradually tighten each fitting to ensure proper alignment of all the parts. This should be done in three steps.
2. Reinstall the exhaust connections. Use new gaskets and check the exhaust elbow-to-manifold clamp's condition. Replace it if necessary.
3. Check the manifold pressure cap. Open the valve by pulling it, and make sure it closes when released. Make certain the upper and lower seals are in good condition. If any doubt, replace the cap.



CHECKING THE PRESSURE CAP

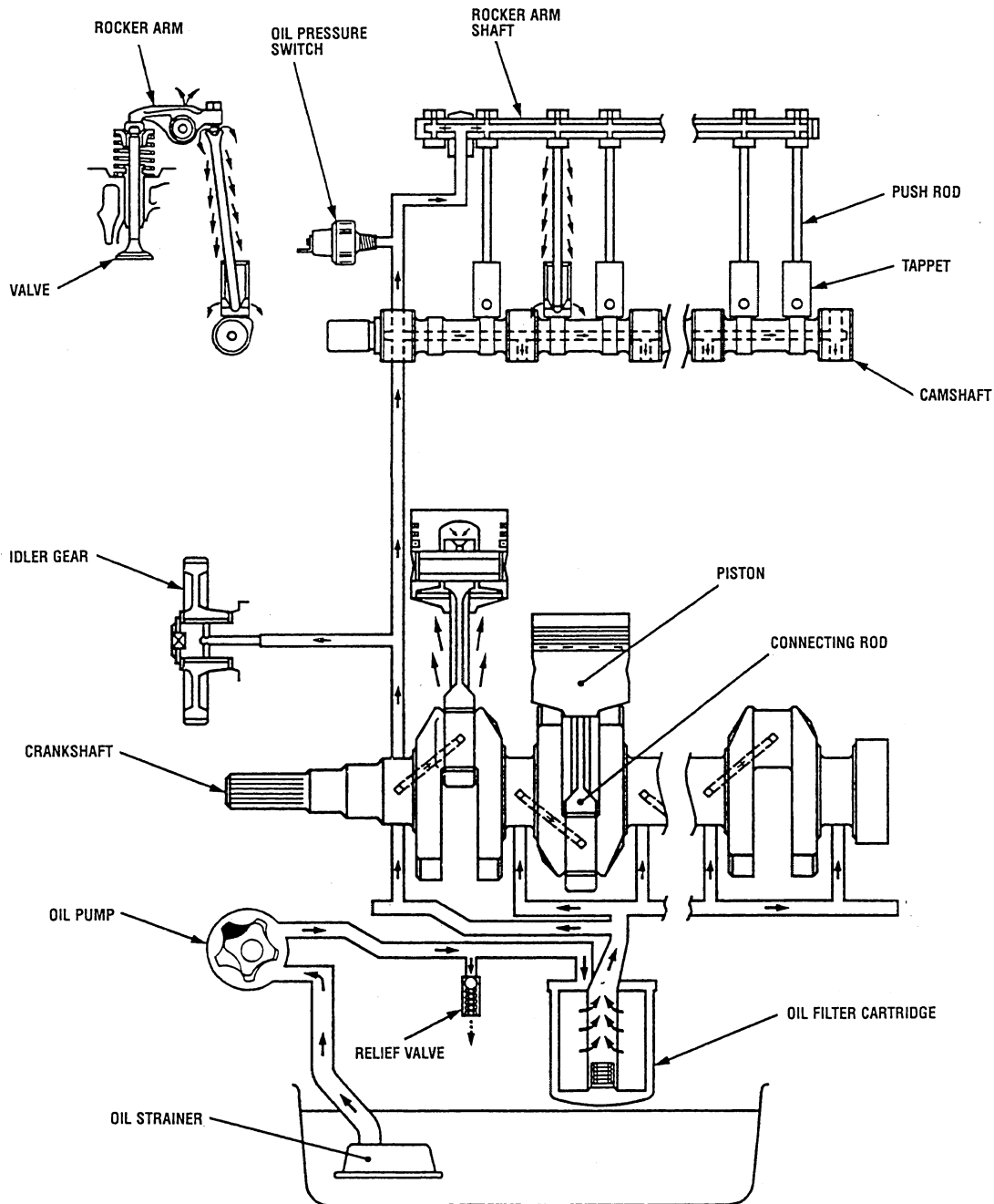
LUBRICATION SYSTEM DESCRIPTION

DESCRIPTION

The lubricating system consists of an oil strainer, oil pump, relief valve, oil filter and oil pressure switch.

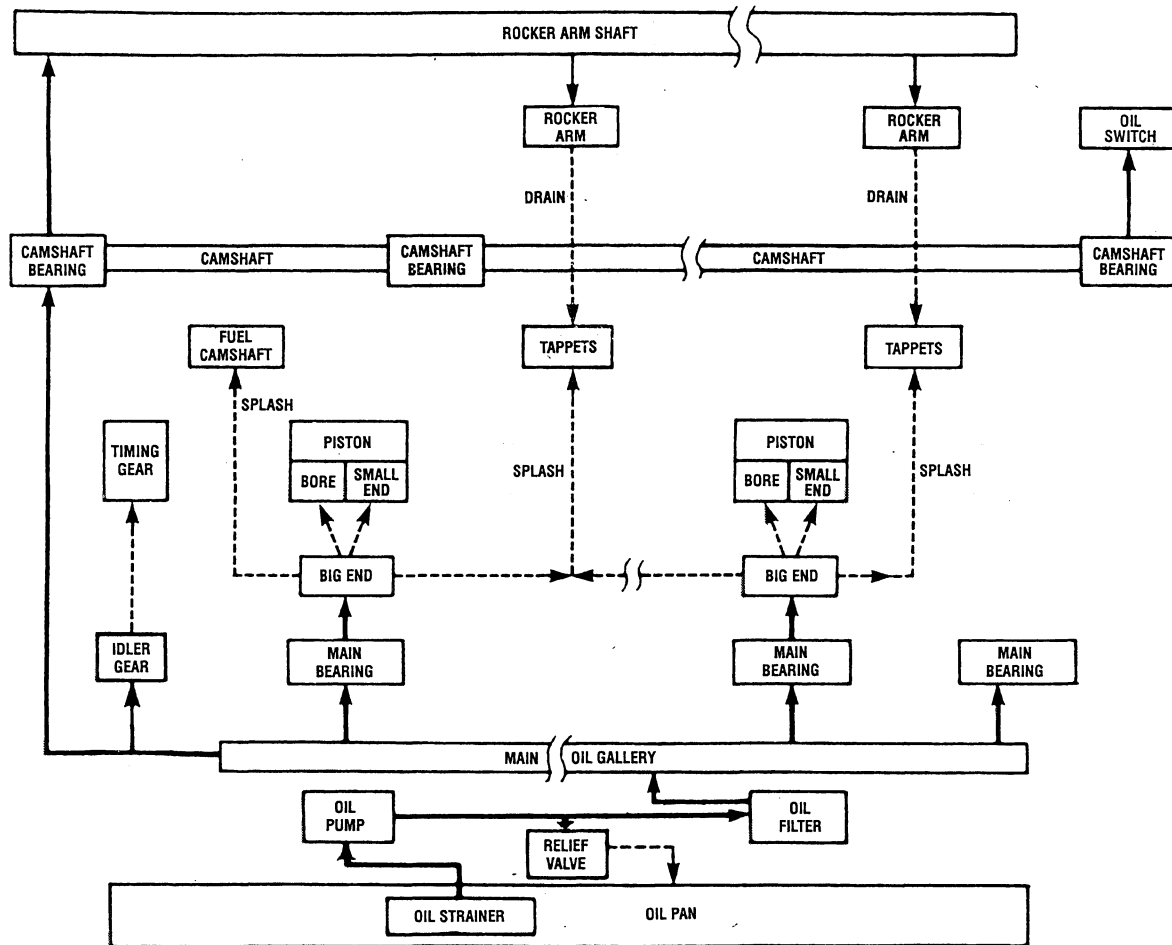
The oil pump draws lubricating oil from the oil sump through the oil strainer to the oil filter. Then the oil is delivered under pressure to the crankshaft, connecting rods, idler gear, camshaft and rocker arm shaft through oil galleries in the engine block.

Some of the oil that lubricates these components or is splashed by the crankshaft also reaches and lubricates the pistons, cylinders, small ends of the connecting rods, tappets, pushrods, intake and exhaust valves, and timing gears. The oil then returns to the oil sump to repeat the continuous cycle. When the oil pressure exceeds the specified pressure, the oil pushes open the relief valve in the oil pump and returns to the oil sump, keeping the oil pressure within its specified range.



LUBRICATION SYSTEM

LUBRICATION SYSTEM DESCRIPTION



LUBRICATION SYSTEM

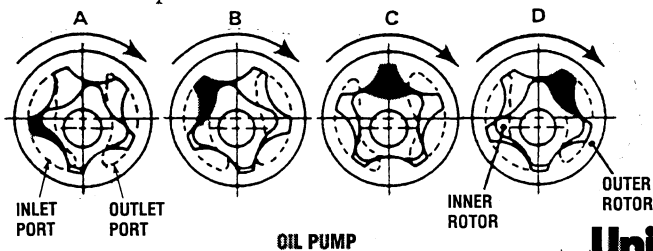
OIL PUMP

The oil pump is a trochoid type pump, whose rotors have trochoid lobes. The inner rotor has 4 lobes and the outer rotor has 5 lobes, and they are eccentrically engaged with each other. The inner rotor, which is driven by the crankshaft through the gears, rotates the outer rotor in the same direction varying the space between the lobes.

While the rotors rotate from **A** to **B** (see illustration), the space leading to the inlet port increases, which causes the vacuum to draw in the oil from the inlet port.

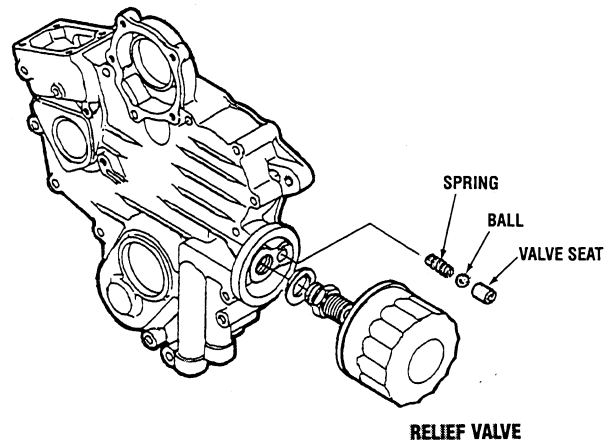
When the rotors rotate to **C**, the space between both rotors switches from the inlet port to the outlet port.

At **D**, the space decreases and the drawn oil is discharged from the outlet port.



RELIEF VALVE

The relief valve prevents damage to the lubrication system due to high oil pressure. This relief valve is a ball-type direct acting relief valve, and is best suited for low pressures. When oil pressure exceeds the upper limit, the ball is pushed back by the oil pressure, and the oil escapes.

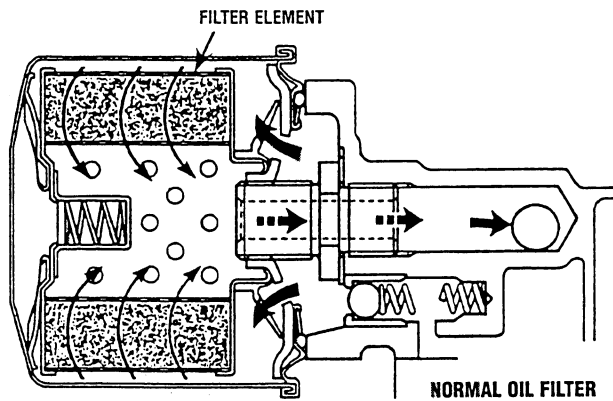


LUBRICATION SYSTEM DESCRIPTION

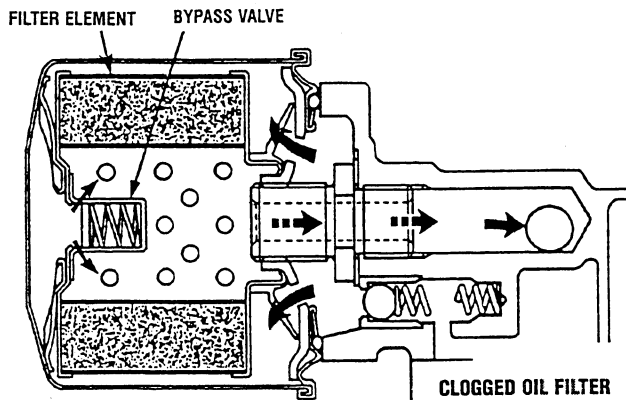
OIL FILTER

After lubricating the engine components, the lubricating oil brings various particles of grit and dirt back to the oil pan. Those particles and other impurities in the lubricating oil can cause wear or seizure of the engine parts. They may also impair the physical and chemical properties of the oil itself.

The lubricating oil, which is force-fed by the pump, is filtered by the filter element in the filter cartridge.

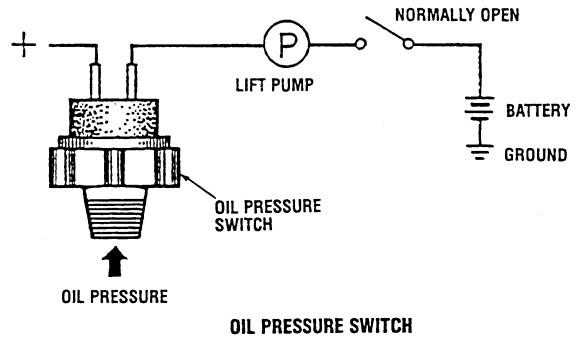


When the filter element accumulates an excessive amount of dirt and the oil pressure in the inlet line builds up by 14 psi (1.0 kgf/cm²) (98 kPa) more than the outlet line, the bypass valve opens and the oil flows from the inlet to the outlet, bypassing the filter element.



OIL PRESSURE SWITCH

The oil pressure switch is mounted on the cylinder block, to warn the operator that the lubricating oil pressure is low. If the oil pressure falls below 15 psi (1.05 kgf/cm²) (103.4 kPa) the oil alarm will sound, alerting the operator. If this happens, stop the engine immediately and check the cause of the oil pressure drop.



LUBRICATION SYSTEM SERVICE

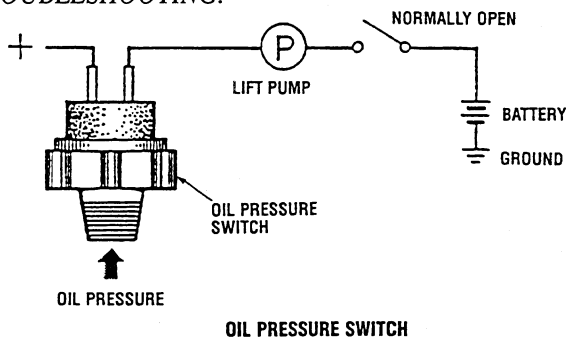
OIL PRESSURE

The engine's oil pressure, during operation, is indicated by the oil pressure gauge on the instrument panel. During normal operation, the oil pressure will range between 40 and 60 psi (2.8 – 4.2 kg/cm²) (276 – 414 kPa).

NOTE: A newly started, cold engine can have an oil pressure reading up to 60 psi (4.2 kg/cm²). A warmed engine can have an oil pressure reading as low as 35 psi (2.5 kg/cm²). These readings will vary depending upon the temperature of the engine and the rpms.

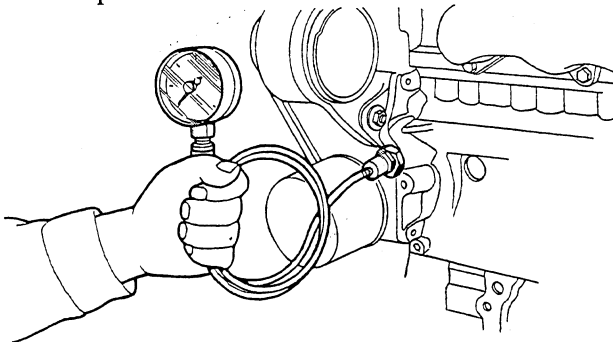
Low Oil Pressure

The specified safe minimum oil pressure is 5 – 10 psi (0.35 – 0.70 kg/cm²) (34.5 – 69.0 kPa). A gradual loss of oil pressure usually indicates worn bearings. For additional information on low oil pressure readings, see *ENGINE TROUBLESHOOTING*.



Checking the Oil Pressure

1. Remove the oil pressure switch and install a mechanical oil pressure gauge in its place.
2. Start the engine. After warming up to operating temperature, measure the oil pressure at both idling and rated speeds.



CHECKING THE OIL PRESSURE

ENGINE OIL PRESSURE

	STANDARD VALUE	LIMIT
At idle speed	15 psi (1.05 kg/cm ²) (103.4 kPa)	—
At rated speed	40 – 60 psi (2.8 – 4.2 kg/cm ²) (276 – 414 kPa)	15 psi (1.05 kg/cm ²) (103.4 kPa)

3. If the oil pressure is less than the specified limit, check the following:
 - a. Engine oil insufficient.
 - b. Oil pump defective.
 - c. Oil strainer clogged.
 - d. Oil filter clogged.
 - e. Oil gallery clogged.
 - f. Excessive oil clearance of bearing.
 - g. Foreign matter in the relief valve.

When Reassembling:

1. After checking the engine oil pressure, tighten the engine oil pressure switch to the specified torque.

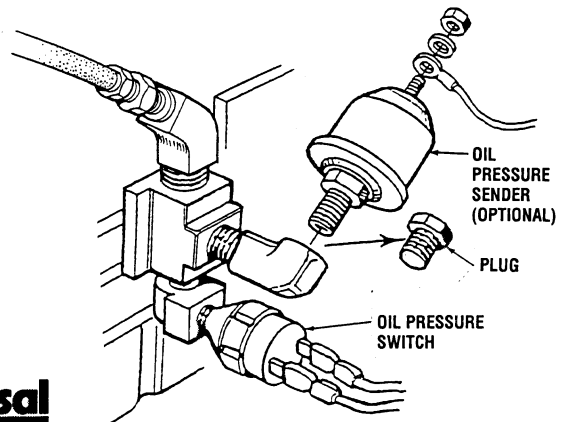
Tightening torque	Oil pressure switch	10.8 – 14.5 ft-lbs. (1.5 – 2.0 kgf-m) (14.7 – 19.6 Nm)
-------------------	---------------------	--

Oil Pressure Switch Oil Pressure Sender (optional)

When performing an engine overhaul, replace the oil pressure switch, and the oil pressure sender if used.

When installing the new parts, apply teflon sealant to the threaded ends being careful not to close off the oil hole in the sender.

CAUTION: Oil Pressure Switch – Do not use lock pliers, vise grips, or pipe wrenches on the oil pressure switch. Use the correct socket which is available from Snap-On, Proto, New Britain and others. Damage to the switch will cause oil leaks and/or switch failure.



OIL PRESSURE SWITCH AND SENDER

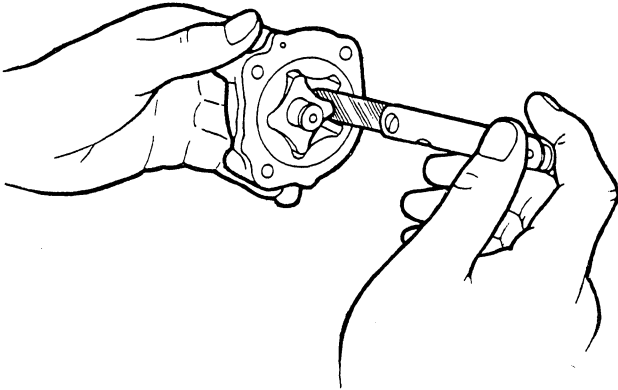
LUBRICATION SYSTEM SERVICE

OIL PUMP

Rotor Lobe Clearance

1. Measure the clearance between the lobes of the inner rotor and the outer rotor with a feeler gauge.
2. If the clearance exceeds the standard value, replace the oil pump rotor assembly.

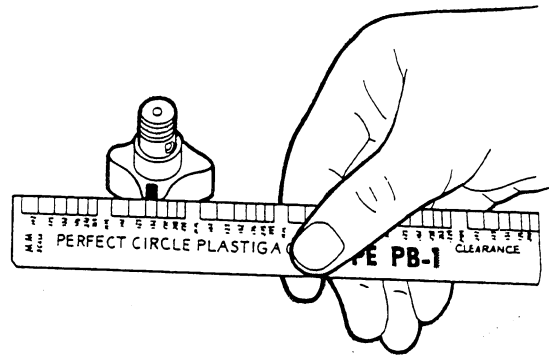
	STANDARD VALUE
Rotor lobe clearance	0.012 – 0.0055 in. (0.03 – 0.14 mm)



Clearance Between Inner Rotor and Cover

1. Put a strip of plastigauge onto the rotor face with grease.
2. Install the cover and tighten the screws.
3. Remove the cover carefully, measure the amount of the flattening with the scale, and get the clearance.
4. If the clearance exceeds the standard value, replace the oil pump rotor assembly.

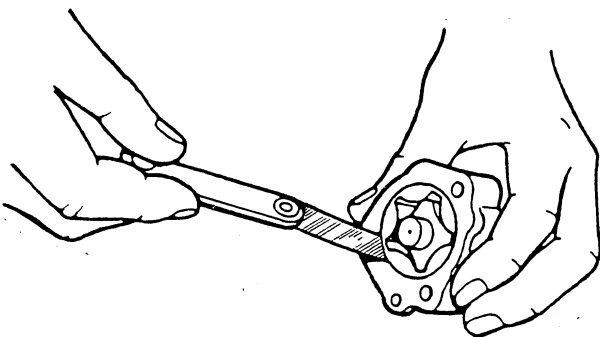
	STANDARD VALUE
Clearance between inner rotor and cover	0.0029 – 0.0053 in. (0.075 – 0.135 mm)



Clearance Between Outer Rotor and Pump Body

1. Measure the clearance between the outer rotor and the pump body with a feeler gauge.
2. If the clearance exceeds the standard value, replace the oil pump rotor assembly.

	STANDARD VALUE
Clearance between outer rotor and pump body	0.0028 – 0.0059 in. (0.07 – 0.15 mm)



COOLING SYSTEM DESCRIPTION

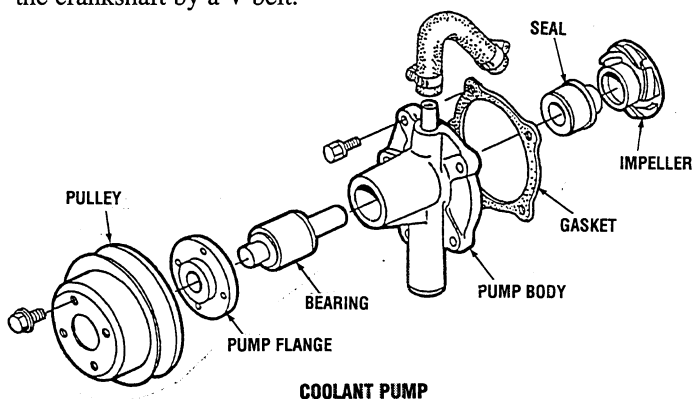
DESCRIPTION

The engine is cooled by a closed fresh water coolant circuit. The coolant is circulated by a belt-driven impeller pump. The coolant temperature is thermostatically controlled.

Raw water is pumped by a gear-driven impeller pump through an engine-mounted heat exchanger to cool the engine coolant. The raw water then enters the water-injected exhaust elbow where it mixes with and cools the exhaust gasses. This mixture then discharges overboard.

COOLANT PUMP

The coolant pump is a centrifugal-type metal impeller pump mounted on the front of the engine. It is driven from the crankshaft by a V-belt.



COOLANT PUMP

THERMOSTAT

A thermostat, located near the manifold at the front of the engine, controls the coolant temperature as it continuously flows through the closed cooling circuit.

The thermostat is a wax pellet type thermostat. Wax is enclosed in the pellet. The wax is solid at low temperatures, but turns liquid at high temperatures, expands and opens the valve.

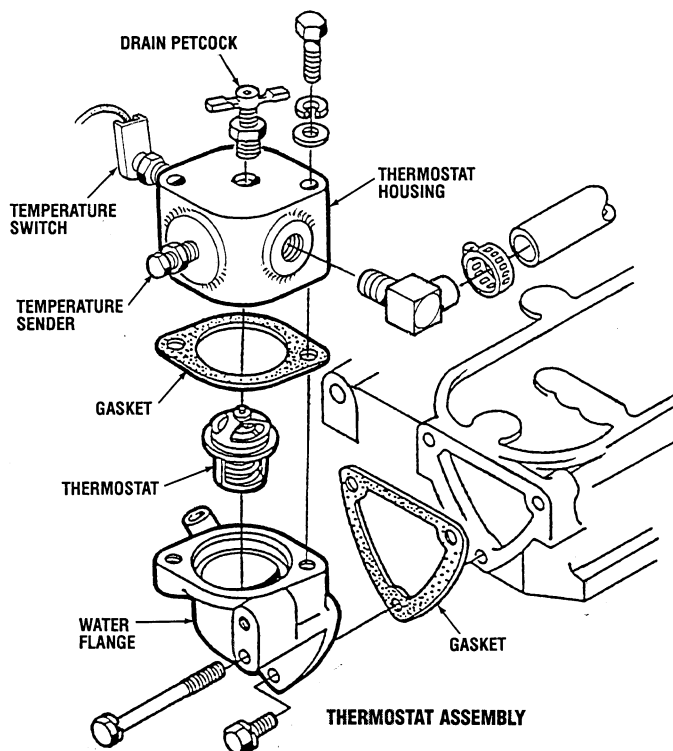
When the engine is first started, the closed thermostat prevents coolant from flowing (some coolant is by-passed through a hole in the thermostat to prevent the exhaust manifold from overheating). As the engine warms up, the thermostat gradually opens. The thermostat is accessible and can be checked, cleaned, or replaced easily.

WATER TEMPERATURE SWITCH

The water temperature switch is located on the thermostat housing (see illustration). This switch is normally open. When activated, it will close and sound an alarm.

WATER TEMPERATURE SENDER (Optional)

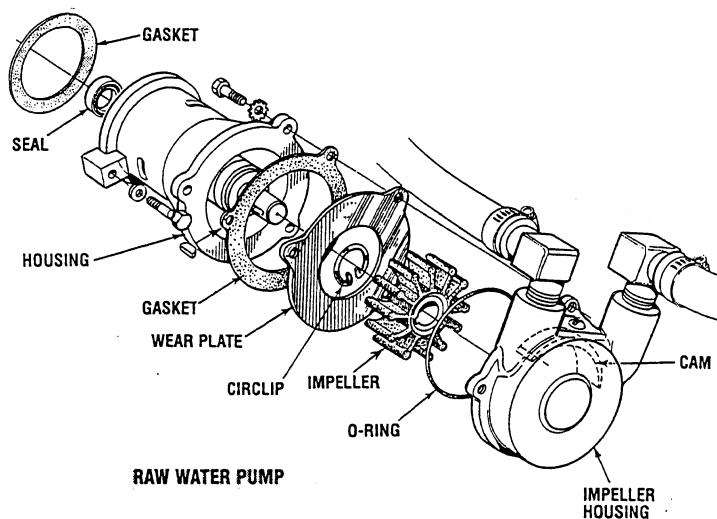
The water temperature sender (if supplied) is located on the thermostat housing (see illustration). It is a variable resistor affected by heat. Voltage from the water temperature gauge is grounded through the sender to the block. Depending on the resistance through the sender affected by coolant heat, the gauge will indicate a temperature reading.



THERMOSTAT ASSEMBLY

RAW WATER PUMP

The raw water pump is a gear driven, positive displacement, self-priming rotary pump with a non-ferrous housing and a neoprene impeller. The impeller has flexible vanes which wipe against a curved cam plate within the impeller housing, producing the pumping action. On no account should this pump be run dry as water acts as a lubricant for the impeller. There should always be a spare impeller and impeller cover gasket aboard (an impeller kit). Raw water pump impeller failures occur when lubricant (raw water) is not present during engine operation. Such failures are not warrantable, and operators are cautioned to make sure raw water flow is present at start-up.



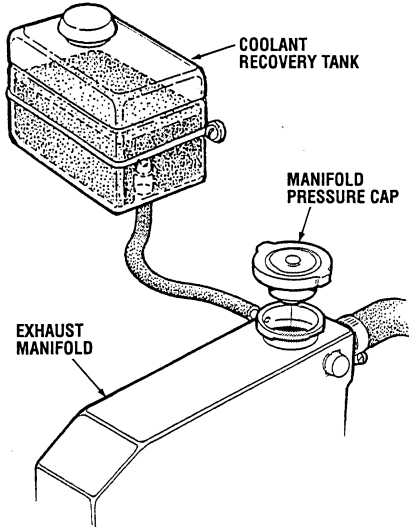
RAW WATER PUMP

IMPELLER HOUSING

COOLING SYSTEM DESCRIPTION

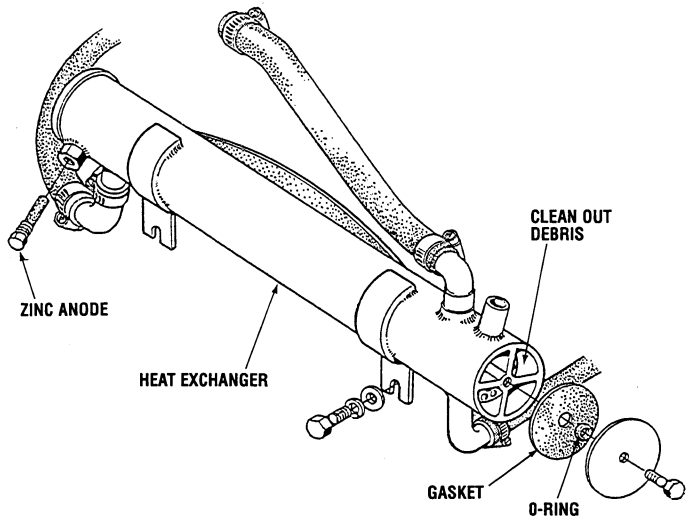
COOLANT RECOVERY TANK

A coolant recovery tank allows for engine coolant expansion and contraction during engine operation, without any significant loss of coolant and without introducing air into the cooling system. This tank is best located at or above the exhaust manifold level, and should be easily accessible.



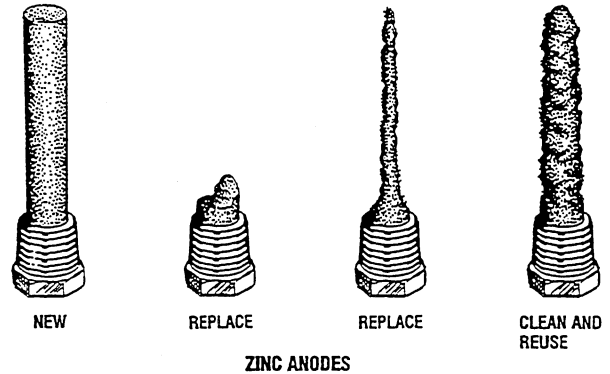
HEAT EXCHANGER

The heat exchanger is a copper tube which encloses a number of small copper tubes. Raw water is pumped through the small copper tubes and the freshwater coolant from the engine is circulated around the copper tubes. The raw water removes heat from the freshwater coolant. To keep the heat exchanger operating efficiently, it should be removed from the engine every 1000 hours to be thoroughly cleaned and pressure tested.



ZINC ANODE

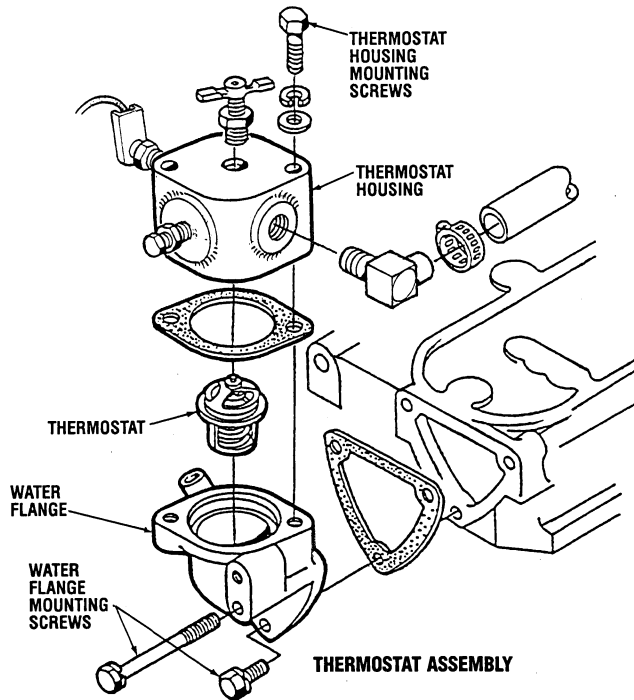
A zinc anode or "pencil", is located in the raw water cooling circuit within the heat exchanger. The purpose of the zinc anode is to sacrifice itself to electrolysis action taking place in the raw water cooling circuit, thereby reducing the effects of electrolysis on other components of the system. The condition of the zinc anode should be checked monthly and the anode cleaned or replaced, as required. Spare anodes should be carried onboard. The area in the exchanger where the anode is located should periodically be cleaned of anode debris.



COOLING SYSTEM SERVICE

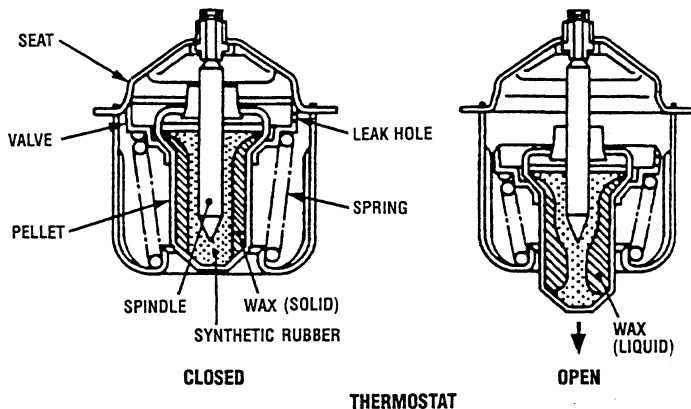
THERMOSTAT

1. Remove the thermostat housing mounting screws, then remove the thermostat housing.
2. Remove the thermostat.



3. Remove the water flange mounting screws, then remove the water flange.
4. Visually check the thermostat for damage. Then put it in water and raise the water temperature to test its valve opening temperature as described below. Replace if defective.

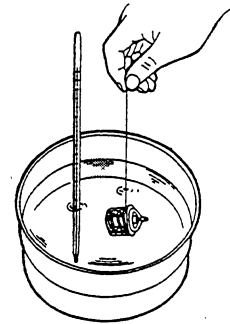
CAUTION: The wax pellet-type thermostat remains closed if its heat-sensing part is defective. Leaving this uncorrected would cause the engine to overheat.



Checking the Thermostat Valve Opening Temperature

1. Push down the thermostat valve and insert a string between the valve and the valve seat.
2. Place the thermostat and a thermometer in a container with water and gradually heat the water.
3. Hold the string to suspend the thermostat in the water. When the water temperature rises, the thermostat valve will open, allowing it to fall down from the string. Read the temperature at this moment on the thermometer.
4. Continue heating the water and read the temperature when the valve has completely opened [about 0.236 in. (6 mm)].
5. If these temperatures are not within the standard values as shown in the chart below, replace the thermostat.

	STANDARD VALUE
Thermostat's valve opening temperature	157.1 – 162.5° F (69.5 – 72.5° C)
Temperature at which thermostat completely opens	185° F (85° C)



When Reassembling:

1. Apply a liquid gasket (*Three Bond 1215* or equivalent) to both sides of a new thermostat housing gasket.
2. Apply a liquid gasket (*Three Bond 1215* or equivalent) to both sides of a new water flange gasket.

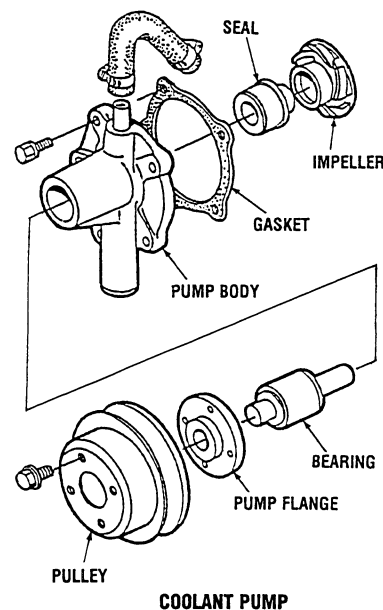
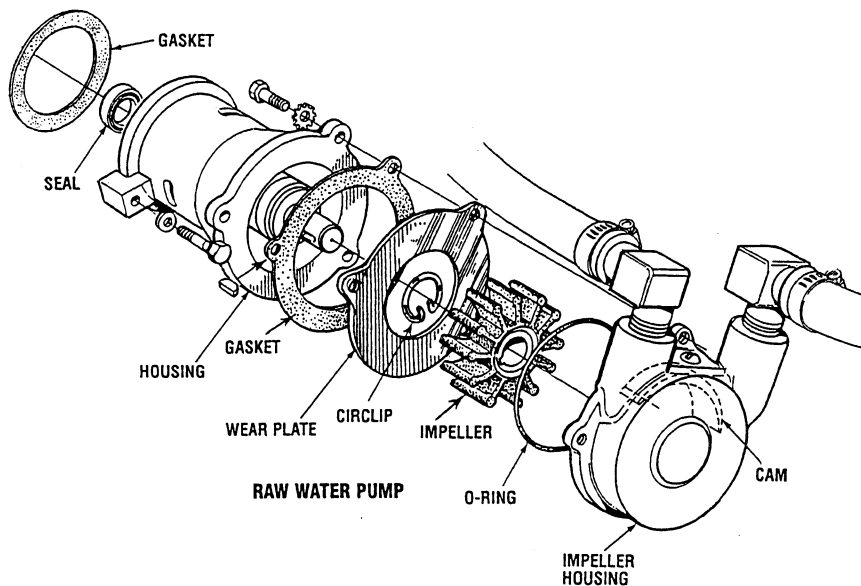
CHANGING THE RAW WATER PUMP IMPELLER

1. Close the raw water intake.
2. Remove the inlet and outlet port hoses from the pump, noting the port location and positioning.
3. Remove the pump assembly and its gasket from the engine.
4. Remove the three hex head screws that hold the housing to the cover.
5. Tap the housing/cover assembly on its side to loosen and separate the cover from its housing.
6. Remove the cover and its O-ring and remove the impeller gasket and plate.
7. Remove the retaining ring (circlip) and pry out the impeller. Take care not to lose the key off the shaft's keyway.

COOLING SYSTEM SERVICE

CAUTION: *If any of the vanes have broken off the impeller they must be found to prevent blockage in the cooling circuit. They often can be found in the heat exchanger.*

8. Replace the gasket, impeller, and O-ring.
 9. Apply a film of petroleum jelly or silicon to the inner surface of the impeller housing.
- NOTE:** *Just coat the surface; do not over apply.*
10. Install the cover housing over the impeller.
 11. Install the three hex screws and tighten.
 12. Mount the pump to the engine taking care that the end seal and gasket are in place. Do not tighten the pump mounting screws, just finger tight.
 13. Reassemble the hose connections and open the raw water intake.
 14. Start the engine in idle; this will allow the pump to align itself with its drive shaft.
 15. Stop the engine and tighten the pump assembly mounting screws.
 16. Start and run the engine, check for leaks, and check for a normal operating temperature.



COOLANT PUMP

1. Loosen the alternator mounting bolts, and remove the drive belt.
2. Remove the coolant pump pulley.
3. Remove the coolant pump assembly from the gear case cover.
4. Remove the flange.
5. Press out the shaft with the impeller on it.
6. Remove the impeller from the shaft.
7. Remove the mechanical seal assembly.
8. Check every part for cracks, damage and water leaks. Replace any parts that are defective.

NOTE: *No rebuilding kits are available for the antifreeze circulating pump, however individual parts are available to allow the pump to be rebuilt.*

9. Check the impeller and shaft for rotating condition. If they make a noise or rotate irregularly, replace as an assembly.

When Reassembling:

1. Apply a liquid gasket (*Three Bond 1215* or equivalent) to both sides of a new coolant pump gasket.
2. Replace the mechanical seal with a new one.

FUEL SYSTEM DESCRIPTION

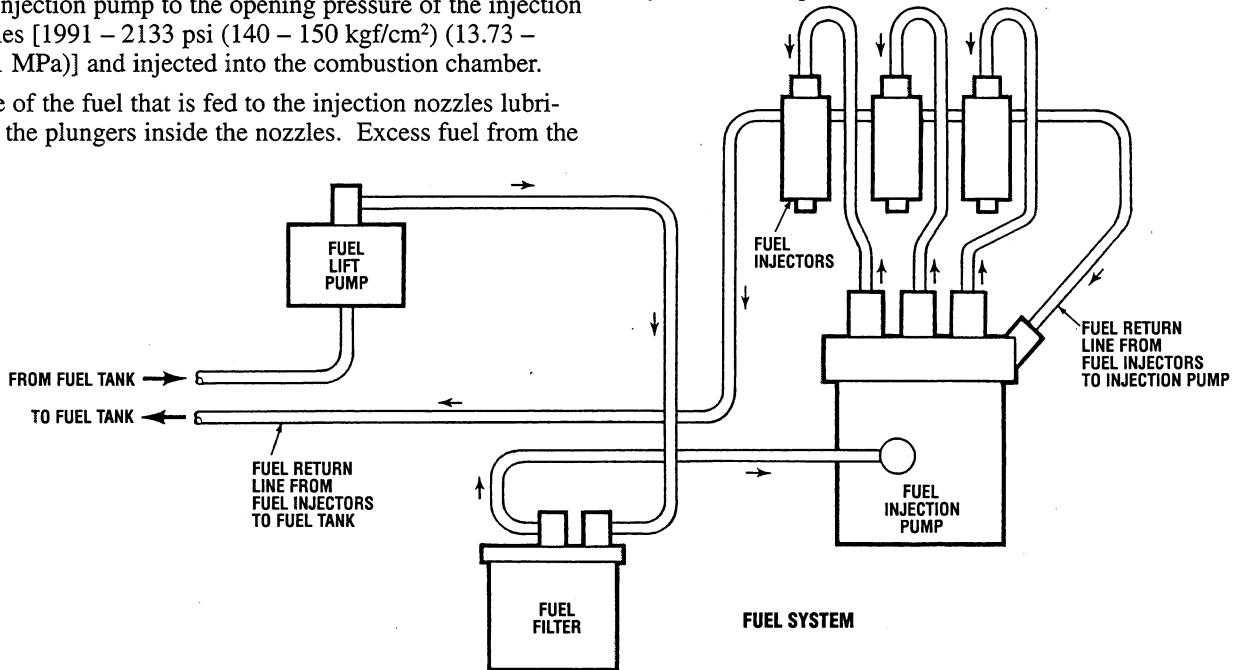
DESCRIPTION

An electromagnetic fuel lift pump draws fuel from the fuel tank through an owner-supplied fuel filter/water separator to remove impurities such as dirt and water. The lift pump then pumps the fuel through the engine's primary fuel filter to the fuel injection pump. The fuel is pressurized by the fuel injection pump to the opening pressure of the injection nozzles [1991 – 2133 psi (140 – 150 kgf/cm²) (13.73 – 14.71 MPa)] and injected into the combustion chamber.

Some of the fuel that is fed to the injection nozzles lubricates the plungers inside the nozzles. Excess fuel from the

fuel injectors is returned from the nozzle holders through fuel lines to the fuel injection pump and the fuel tank.

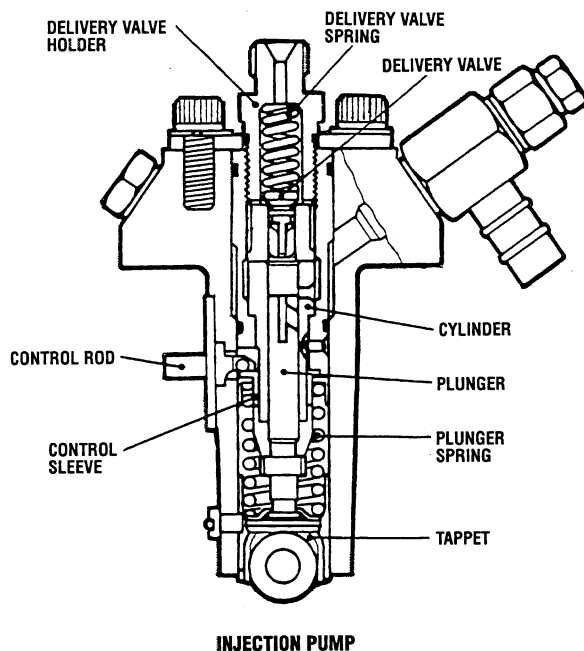
NOTE: Fuel supplied to the fuel lift pump must be filtered to 10 – 25 microns or smaller by the (owner-supplied) fuel filter/water separator.



INJECTION PUMP

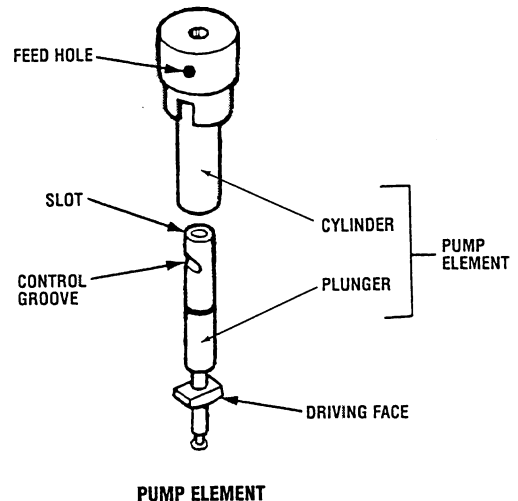
The fuel injection pump is a Bosch MD type mini pump. It is small, lightweight and easy to handle.

The plunger with a right-hand lead reciprocates via the tappet roller by means of the fuel camshaft, causing the fuel to be delivered into the injection nozzle.



Pump Element

The pump element consists of the plunger and the cylinder. The sliding surfaces are super-precision machined to maintain injection pressures at low engine speeds. The plunger is machined to have a slot and a control groove. Since the driving face on the plunger fits in the control sleeve, the plunger is rotated by the movement of the control rack to increase or decrease the fuel delivery.



FUEL SYSTEM DESCRIPTION

Delivery Valve

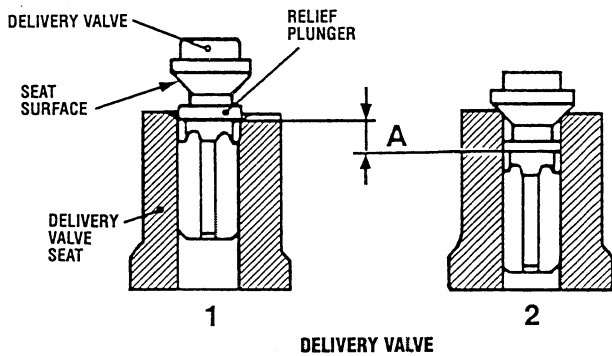
The delivery valve consists of the valve and valve seat. The delivery valve performs the following functions:

1. Reverse Flow Preventing Function

If the fuel flow should reverse from the injection nozzle side when the plunger lowers, the time lag between the next delivery start and the nozzle injection start would increase. This is avoided by the delivery valve, which prevents the fuel flow from the delivery chamber to the injection line from reversing. This keeps the nozzle and the fuel line filled with fuel to maintain the prime.

2. Draw-Back Function

After completing the fuel delivery, the delivery valve lowers and the relief plunger end contacts the delivery valve seat. The valve further lowers until it seats firmly in the delivery valve seat. During this time, the amount of fuel corresponding to "A" is drawn back from inside the injection line, and the pressure inside the pipe is reduced, thus leading to an improved injection shut-off and preventing after-leakage dribbling.



Operation of the Pump Element

1. Before Delivery

As the tappet lowers, the plunger also lowers, and fuel is drawn into the delivery chamber through the feed hole from the fuel chamber.

2. Beginning of Delivery

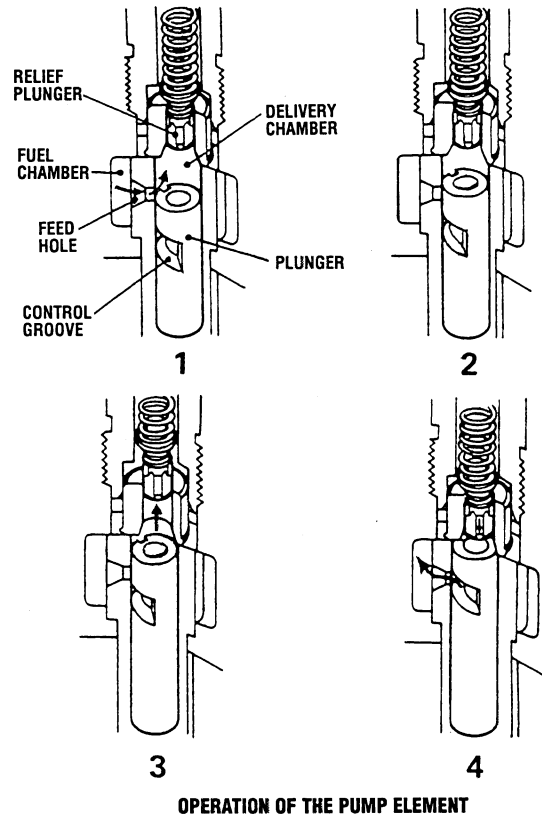
When the plunger is pushed up by the cam and the head of the plunger closes the feed hole, the pressure in the delivery chamber rises to push the relief plunger open. Fuel is then force-fed into the injection line.

3. Delivery

While the plunger is rising, the delivery of fuel continues.

4. End of Delivery

When the plunger rises further and the control groove on its periphery meets the feed hole, the fuel returns to the fuel chamber from the delivery chamber through the control groove and the feed hole.



Injection Control

1. No Fuel Delivery

At the engine stop position of the control rack, the lengthwise slot on the plunger aligns with the feed hole. The delivery chamber is led to the feed hole during the entire stroke of the plunger.

The pressure in the delivery chamber does not build up and no fuel can be forced to the injection nozzle.

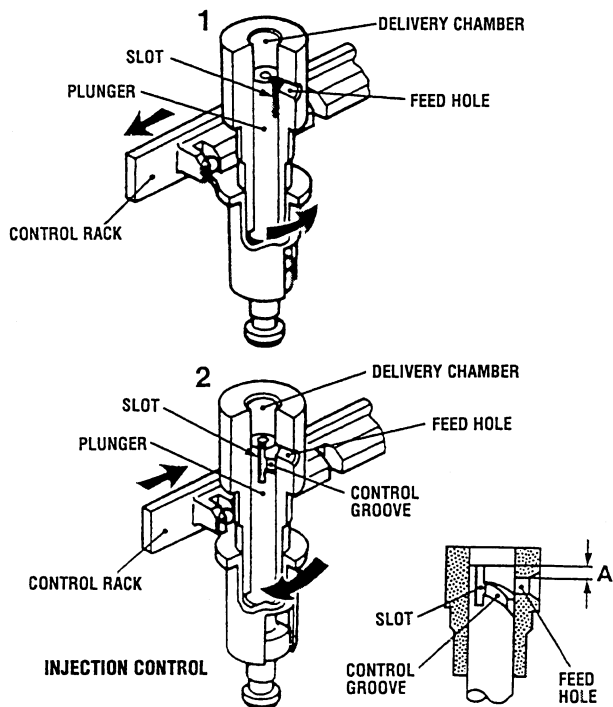
2. Fuel Delivery

The plunger is rotated (see illustration) by the control rack.

When the plunger is pushed up, the feed hole is closed. The pressure in the delivery chamber builds up and force-feeds the fuel to the injection nozzle until the control groove meets the feed hole.

The amount of the fuel corresponds to the distance "A".

FUEL SYSTEM DESCRIPTION

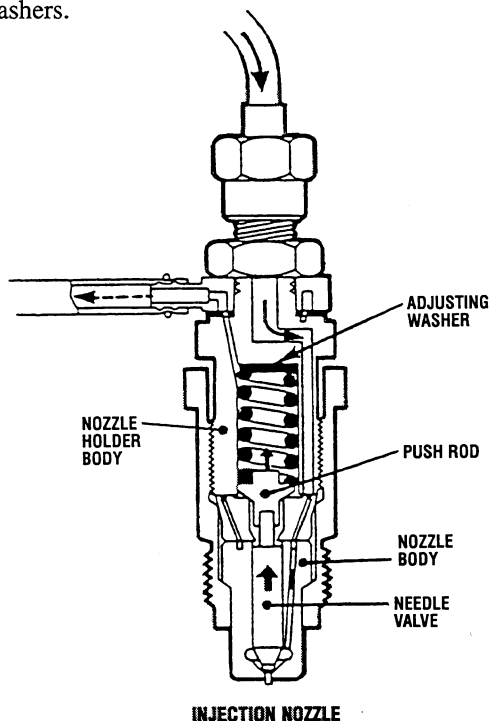


INJECTION NOZZLE

This nozzle is a throttle-type. The needle valve is pushed against the nozzle body by the nozzle spring via the push rod. Fuel pressurized by the injection pump pushes the needle valve up, and then is injected into the pre-combustion chamber.

Excessive fuel flow passes from the nozzle holder center through the eye joint and the fuel overflow line to the fuel tank.

The injection pressure is 1991 – 2133 psi (13.73 – 14.71 MPa) (140 – 150 kgf/cm²) and is adjusted with adjusting washers.

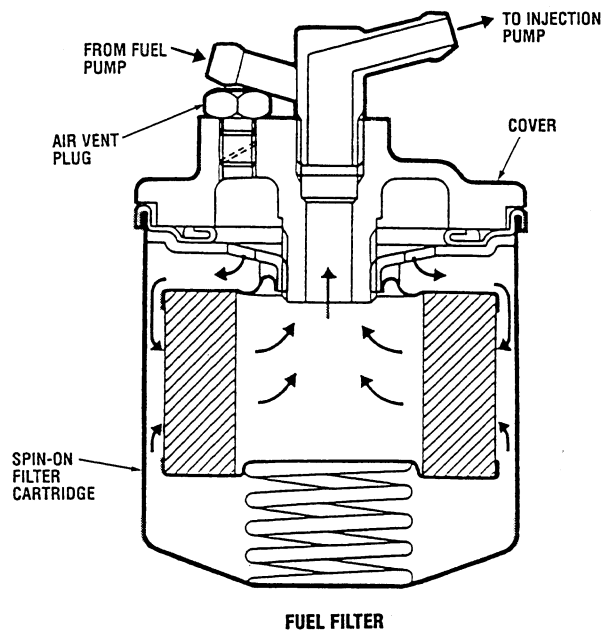


FUEL FILTER

The fuel filter prevents dirty fuel from reaching the injection pump and the injection nozzles. Each moving part of the injection pump and nozzle is extremely precision machined, and the clearances of their sliding parts are extremely small. Fuel itself serves as lubricating oil. For this reason, it is extremely important to completely remove any water and dirt contained in the fuel.

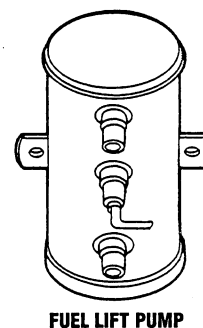
The fuel filter cartridge will require occasional replacement to maintain an adequate flow of fuel to the injection pump. The frequency of this service will vary according to the cleanliness of the available fuel and the care used in its storage. The fuel filter eliminates any foreign matter coming from the fuel tank and protects the injection pump and injection nozzles. When fuel enters the filter, it passes from the filter element's circumference toward the center for filtering.

There is an air vent plug on the filter body. Before starting, or after disassembling and reassembling, loosen this plug and bleed the air in the fuel system.



FUEL LIFT PUMP

The on-engine fuel system is virtually self priming. Under ordinary circumstances the engine's electric fuel lift pump, which is energized by the key switch/preheat button, will supply a continuous flow of fuel from the tank. This fuel is drawn through the fuel filter/water separator to the engine lift pump, the primary spin-on fuel filter, and the injection pump.



FUEL SYSTEM DESCRIPTION

GOVERNOR

This mechanism maintains engine speed at a constant rate even under fluctuating loads, provides stable idling and regulates maximum engine speed by controlling the fuel injection rate.

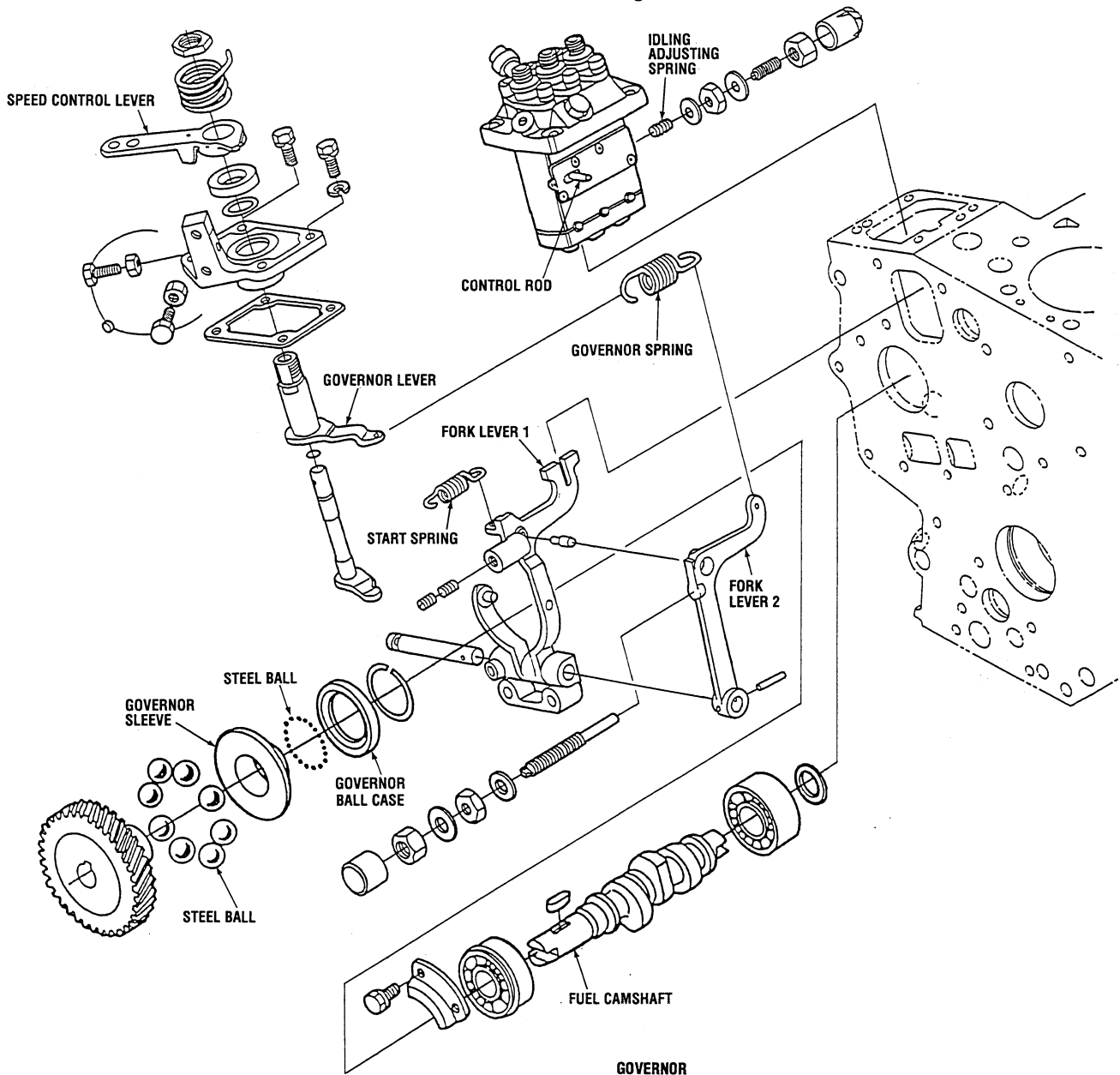
Fork lever 1 is held where two forces on it are balanced. One is the force that fork lever 2 pushes, which is caused by the tension of the governor spring between the governor lever and fork lever 2. Another is the component of the centrifugal force produced by the steel balls which are rotated by the fuel camshaft.

At Start

The steel balls have no centrifugal force. Fork lever 1 is pulled by the start spring and the control rod moves to the maximum injection position for easy starting.

At Idling

When the speed control lever is set at the idling position, the governor spring is pulled slightly. As the camshaft rotates, the steel balls increase their centrifugal force and push the governor sleeve. Fork lever 1, pushed by the governor sleeve, pushes the control rod, and the control rod compresses the idling adjusting spring. The control rod is kept at a position where the centrifugal force is balanced with the spring tensions on the control rod, providing stable idling.

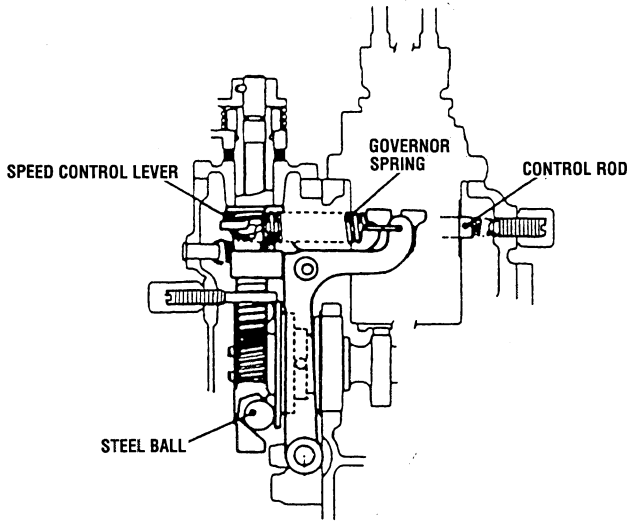


FUEL SYSTEM DESCRIPTION

At Medium or High Speed Running

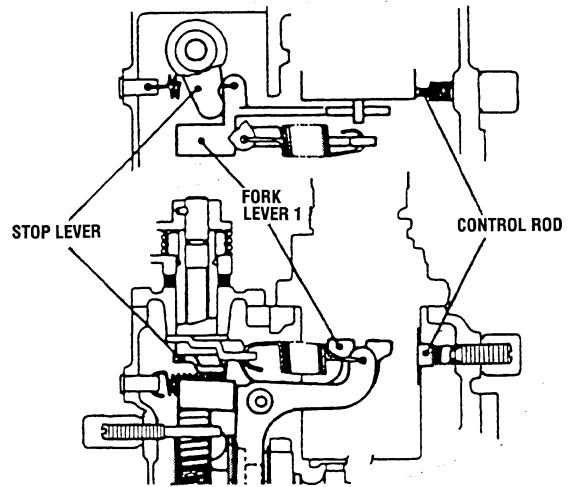
When the speed control lever is turned further, the governor spring increases the tension and control rod is pulled to increase the engine speed. The steel balls increase their centrifugal force and the control rod is pushed, decreasing the engine speed until the centrifugal force and the spring tension are balanced.

When the engine speed is dropped (A → B) with the increase of the load (a → b), the centrifugal force of the steel balls decreases and the control rod is pulled. The amount of fuel delivered to the injection nozzle is increased to produce the higher engine torque required for the load.



To Stop the Engine

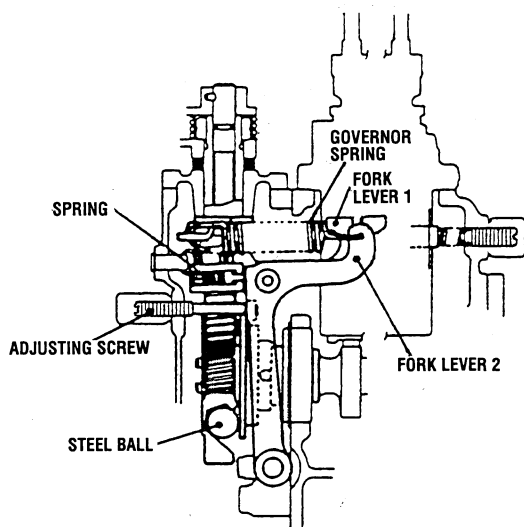
When the stop lever is moved to the stop position, fork lever 1 is pushed and the control rod is moved to stop the fuel injection.



At Maximum Speed Running with an Overload

When the engine is overloaded at a high speed and the engine speed drops, the centrifugal force of the steel balls decreases and the governor spring pulls fork levers 1 and 2.

When fork lever 2 contacts the adjusting screw, the spring that is built into fork lever 1 begins to push fork lever 1 to pull the control rod. The amount of fuel delivered to the injection nozzle is increased to run the engine at a high speed and torque.

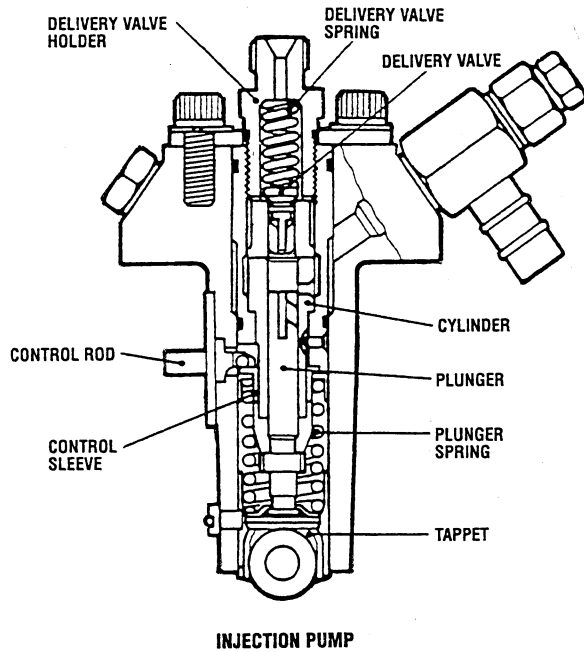


FUEL SYSTEM DISASSEMBLY & REASSEMBLY

WARNING: Do not allow smoking or open flames near the fuel system when servicing. Also provide proper ventilation.

INJECTION PUMP

If replacing the pump element, the amount of fuel injection should be bench tested and adjusted.



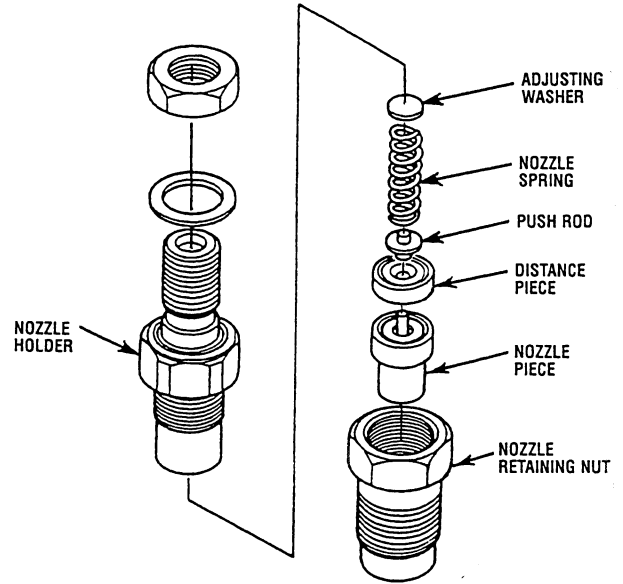
INJECTION NOZZLE

Nozzle Holder

1. Secure the nozzle retaining nut in a vise.
2. Remove the nozzle holder, and take out the parts inside the nozzle holder.

When Reassembling:

1. Assemble the nozzle in clean fuel oil.
2. Install the push rod, noting its direction.
3. After assembling the nozzle, be sure to adjust the fuel injection pressure.



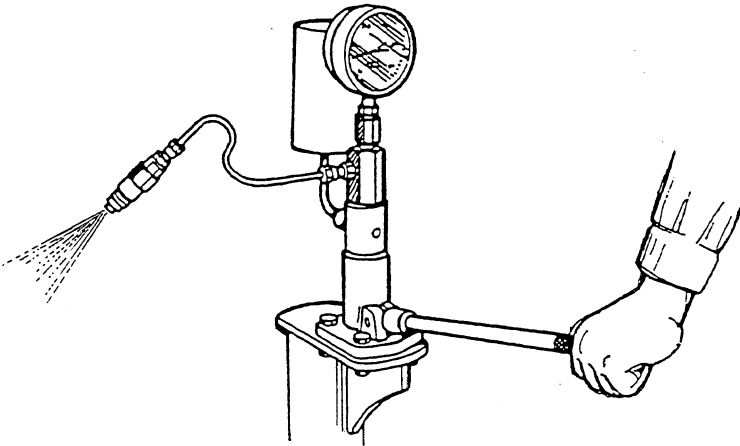
FUEL SYSTEM SERVICE

FUEL INJECTORS

CAUTION: *The spray nozzle velocity is such that it may penetrate deeply into the skin of the fingers and hands, destroying tissue. If it enters the bloodstream, it may cause blood poisoning.*

Nozzle Injection Pressure

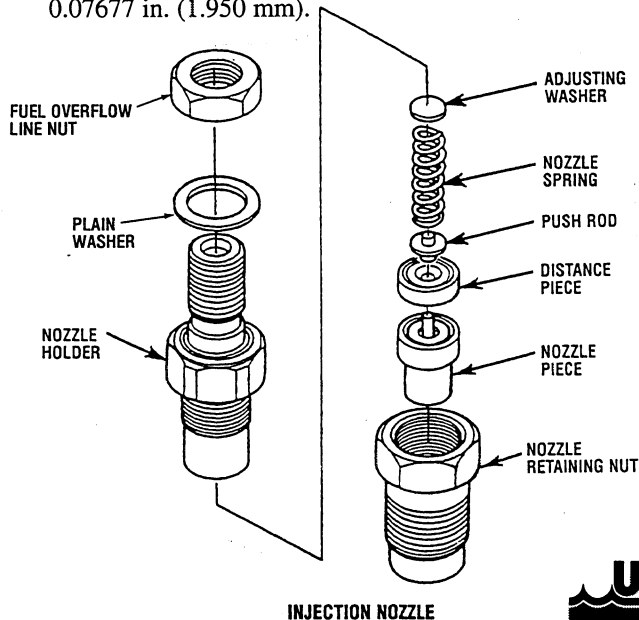
1. Install the injection nozzle to the nozzle tester.
2. Slowly move the tester handle to measure the pressure at which fuel begins jetting out from the nozzle.



3. If the measurement is not within the standard value, disassemble the injection nozzle and change the adjusting washer until the proper injection pressure is obtained.

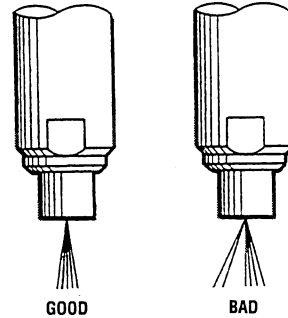
	STANDARD VALUE
Fuel injection pressure	1991 – 2133 psi (140 – 150 kgf/cm ²) (13.73 – 14.71 MPa)

Adjusting washers are provided for every 0.00098 in. (0.025 mm) of thickness, from 0.03543 in. (0.900 mm) to 0.07677 in. (1.950 mm).



Nozzle Spraying Condition

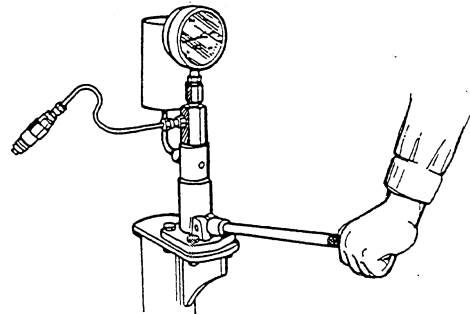
1. Install the injection nozzle to a nozzle tester and check the nozzle spraying condition.
2. If the spraying condition is defective, replace the nozzle piece.



Valve Seat Tightness

1. Install the injection nozzle to a nozzle tester.
2. Raise the fuel pressure, and keep it at 1849 psi (130 kgf/cm²) (12.75 MPa) for 10 seconds.
3. If any fuel leak is found, replace the nozzle piece.

	STANDARD VALUE
Valve seat tightness	No fuel leak at 1849 psi (130 kgf/cm ²) (12.75 MPa)



Fuel Injectors Service

In case of severe vibrations and detonation noise, have the injectors checked and overhauled by an authorized fuel injection service center. Poor fuel quality, contaminants and loss of positive fuel pressure to the injection pump can result in injector faults. Since fuel injectors must be serviced in a clean room environment, it is best to carry at least one extra injector as a spare should a problem occur.

Before removing the old injector, clean the area around the base of the injector to help prevent any rust or debris from falling down into the injector hole. If the injector will not lift out easily and is held in by carbon build-up or the like, work the injector side-to-side with the aid of the socket wrench to free it, and then lift it out.

The injector seats in the cylinder head on a copper sealing washer. Remove this washer with the injector, and replace it with a new washer when the new injector is installed.

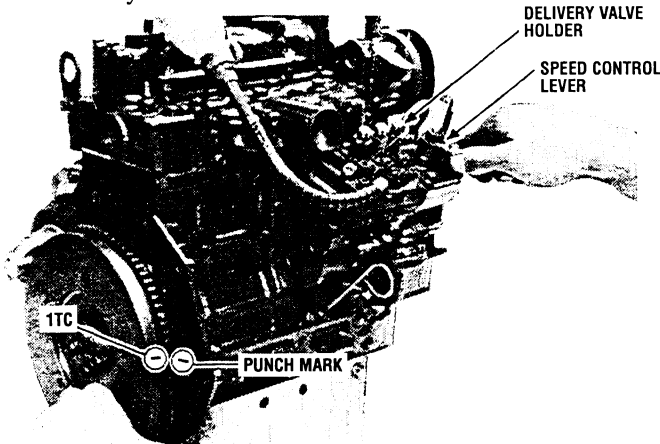
Injector to cylinder head tightening torque:
36.2 – 50.6 ft-lb (5.0 – 7.0 m·kg) (49.0 – 68.6 Nm)

FUEL SYSTEM SERVICE

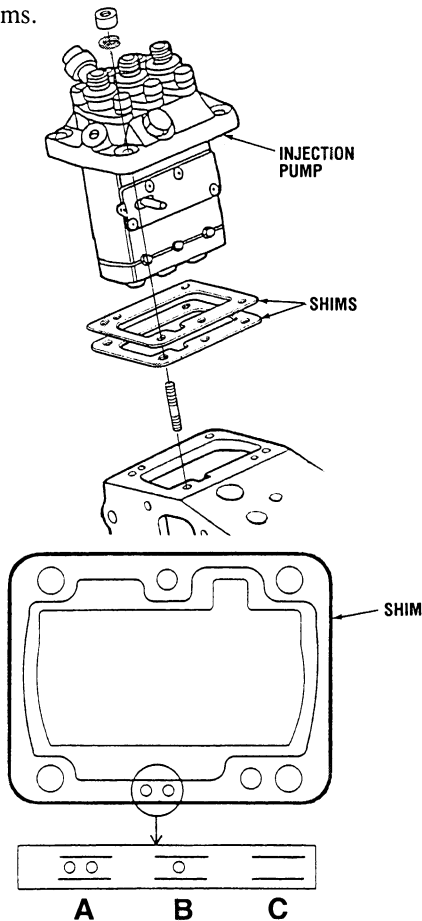
INJECTION PUMP

Injection Timing

1. Remove the injection lines.
2. Set the speed control lever to the maximum fuel discharge position.
3. Turn the flywheel until the fuel fills up to the hole of the delivery valve holder.



4. Turn the flywheel further to check the injection timing, and stop turning when the fuel begins to flow over again.
5. Check to see if the "1TC" mark on the flywheel is aligned with the punch mark on the back plate.
6. If the timing is out of adjustment, readjust the timing with shims.



Shim A (Two holes): 0.0079 in. (0.20 mm)
 Shim B (One hole): 0.0098 in. (0.25 mm)
 Shim C (Without a hole): 0.0118 in. (0.30 mm)

Shim Specifications – up to Engine Serial Number 489290.

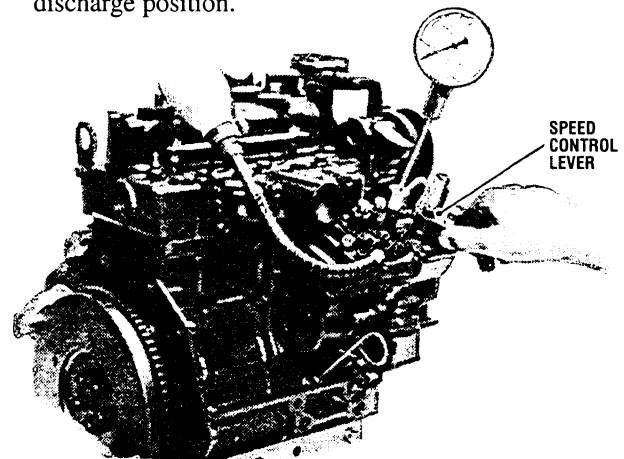
1. Shims are available in thicknesses of 0.0059 in. (0.15 mm) and 0.0118 in. (0.30 mm). Combine these shims for adjustments.
2. The addition or reduction of a shim 0.0059 in. (0.15 mm) delays or advances the injection timing by approx. 1.5° (0.026 rad.).
3. After adjusting the injection timing, apply a liquid-type gasket (*Three Bond 1215* or equivalent) to both sides of the injection pump shim before reassembling.

Shim Specifications – Engine Serial Number 489291 on up.

1. The sealant is applied to both sides of the soft metal gasket shim. The liquid gasket is not required for assembling.
2. Shims are available in thicknesses of 0.0079 in. (0.20 mm), 0.0098 in. (0.25 mm) and 0.0118 in. (0.30 mm). Combine these shims for adjustments.
3. The addition or reduction of a shim 0.0020 in. (0.05 mm) delays or advances the injection timing by approx. 0.5° (0.0087 rad.).
4. In disassembling and replacing, be sure to use the same number of new gasket shims with the same thicknesses.

Fuel Tightness of Pump Element

1. Remove the injection lines and injection nozzles.
2. Install a pressure tester to the injection pump.
3. Set the speed control lever to the maximum fuel discharge position.



4. Turn the flywheel counterclockwise to raise the fuel pressure.
5. If the fuel pressure can not reach the allowable limit, replace the pump element or injection pump assembly.

	LIMIT
Pump element fuel tightness (fuel pressure)	2133 psi (150 kgf/cm ²) (14.71 MPa)

FUEL SYSTEM SERVICE

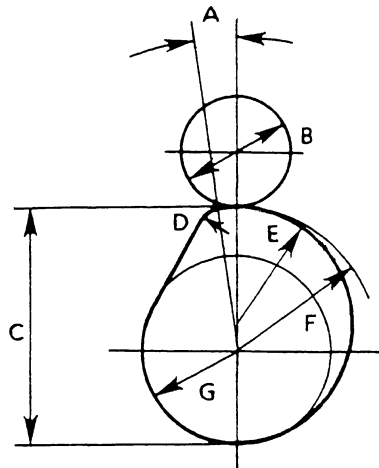
Adjusting the Fuel Injection

Important: After replacing the pump element, be sure to adjust the amount of the fuel injection using a pump tester and a test bench [DIESEL KIKI CO. LTD: Code No. 105760-0010 (50 Hz) or 105760-0020 (60Hz)].

Test Condition

Driving strand	Code No. 105781-4160 (DIESEL KIKI CO. LTD.)
Nozzle	DN4PD62
Opening pressure	1707 psi (120 kgf/cm ²) (11.77 MPa)
Injection line	0.24 in. dia. x 0.08 in. dia. x 23.62 in. long (6 mm dia. x 1.6 mm dia. x 2.55 mm long)
Fuel feed pressure	7 psi (0.2 kgf/cm ²) (49 kPa)
Test fuel	Diesel fuel No. 2-D
Pre-stroke	0.0728 – 0.0768 in. (with valve) (0.5 – 1.5 mm (with valve))
Cam profile	PFM-TE-00 (see illustration)

- A 20° (0.35 rad.)
- B 0.551 in. (14 mm)
- C 1.181 in. (30 mm)
- D 0.118 in. (3 mm)
- E 0.591 in. (15 mm)
- F 0.709 in. (18 mm)
- G 0.472 in. (12 mm)

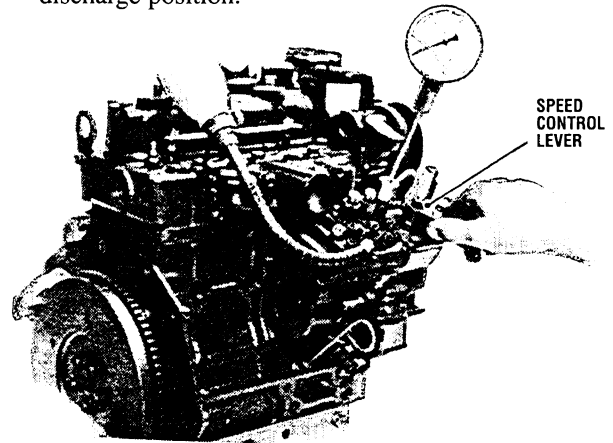


Data for Adjustment

Control rack position (from stop position)	Camshaft speed	Amount of fuel
0.1969 in. (5.0 mm)	1800 rpm	0.0714 – 0.0751 cu. in./100 st. (1.17 – 1.23 cc/100 st.)
0.0591 in. (1.5 mm)	1800 rpm	less than 0.006 cu. in./100 st. (less than 0.1 cc./100 st.)

Delivery Valve Fuel Tightness

1. Remove the injection lines and injection nozzles.
2. Install a pressure tester to the injection pump.
3. Set the speed control lever to the maximum fuel discharge position.



4. Turn the flywheel counterclockwise to raise the fuel pressure to 2133 psi (150 kg/cm²) (14.71 MPa)
5. Set the plunger of the injection pump at the bottom dead center to reduce the delivery chamber pressure to zero.
6. Measure the falling time of the fuel pressure from 2133 – 1991 psi (150 – 140 kg/cm²) (14.71 – 13.73 MPa).
7. If the measurement is less than the limit, replace the delivery valve or injection pump assembly.

	LIMIT
Pressure falling time	5 seconds

ADMIRAL CONTROL PANEL

UNIVERSAL offers two optional panels. Refer to the instruction page that applies to the panel you purchased.

ADMIRAL PANEL

This manually-operated control panel is equipped with a Key Switch and RPM gauge with an ELAPSED TIME meter which measures the engine's running time in hours and in 1/10 hours. The panel also includes a WATER TEMPERATURE gauge which indicates water temperature in degrees Fahrenheit, an OIL PRESSURE gauge which measures the engine's oil pressure in pounds per square inch, and a DC control circuit VOLTAGE gauge which measures the system's voltage. All gauges are illuminated when the key switch is turned **on** and remain illuminated while the engine is in operation. The panel also contains two rubber-booted pushbuttons, one for PREHEAT and one for START.

When the engine is shut down with the Key Switch turned **off**, the water temperature gauge will continue to register the last temperature reading indicated by the gauge before electrical power was turned **off**. The oil pressure gauge will fall to zero when the Key Switch is turned **off**. The temperature gauge will once again register the engine's true temperature when electrical power is restored to the gauge.

A separate alarm buzzer with harness is supplied with every Admiral Panel. The installer is responsible for electrically connecting the buzzer to the four-pin connection on the engine's electrical harness. The installer is also responsible for installing the buzzer in a location where it will be dry and where it will be audible to the operator should it sound while the engine is running. The buzzer will sound when the ignition key is turned **on** and should silence when the engine has started and the engine's oil pressure rises above 15 psi.

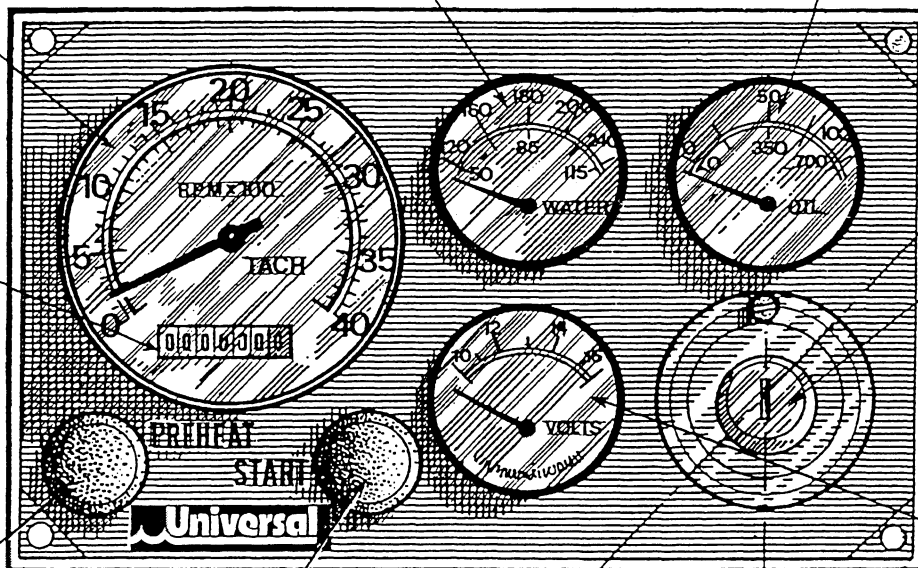
Note: Refer to the *WIRING DIAGRAM* in this manual for the installation of two engine senders.

WATER TEMPERATURE GAUGE: THIS GAUGE IS GRADUATED IN DEGREES FAHRENHEIT AND IS ILLUMINATED WHILE THE KEY SWITCH IS TURNED **ON**. THE ENGINE'S NORMAL OPERATING TEMPERATURE IS 170°-190° F (77°-88°C).

OIL PRESSURE GAUGE: THIS GAUGE IS GRADUATED IN POUNDS PER SQUARE INCH (PSI) AND IS ILLUMINATED WHILE THE KEY SWITCH IS TURNED **ON**. THE ENGINE'S NORMAL OPERATING OIL PRESSURE RANGES BETWEEN 30-60 PSI.

RPM GAUGE: REGISTERS REVOLUTIONS PER MINUTE OF THE ENGINE AND CAN BE RECALIBRATED FOR ACCURACY FROM THE REAR OF THE PANEL.

HOURLMETER: REGISTERS ELAPSED TIME, AND SHOULD BE USED AS A GUIDE FOR THE MAINTENANCE SCHEDULE.

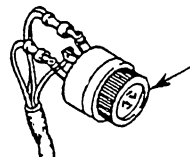


KEY SWITCH: PROVIDES POWER ONLY TO THE INSTRUMENT PANEL CLUSTER.

DC VOLTMETER: INDICATES THE AMOUNT THE BATTERY IS BEING CHARGED. SHOULD SHOW 13V TO 14V.

PREHEAT BUTTON: WHEN PRESSED, ENERGIZES THE ALTERNATOR'S REGULATOR, THE FUEL LIFT PUMP, AND THE ENGINE'S GLOW PLUGS, AND BYPASSES THE ENGINE'S OIL PRESSURE ALARM SWITCH. IN ADDITION, THIS BUTTON ENERGIZES THE START BUTTON.

START BUTTON: WHEN PRESSED, ENERGIZES THE STARTER'S SOLENOID WHICH CRANKS THE ENGINE. THIS BUTTON WILL NOT OPERATE ELECTRICALLY UNLESS THE PREHEAT BUTTON IS PRESSED AND HELD AT THE SAME TIME.



AUTOMATIC ALARM SYSTEM

HIGH WATER TEMPERATURE ALARM: AN ALARM BUZZER HAS BEEN SUPPLIED WITH THE INSTRUMENT PANEL. IF THE ENGINE'S FRESH WATER COOLANT REACHES 210° F (98°C), THIS SWITCH WILL CLOSE SOUNDING THE ALARM WHICH WILL EMIT A CONTINUOUS SIGNAL.

LOW OIL PRESSURE ALARM: A LOW OIL PRESSURE ALARM SWITCH IS LOCATED OFF THE ENGINE'S OIL GALLERY. THIS SWITCH MONITORS THE ENGINE'S OIL PRESSURE. SHOULD THE ENGINE'S OIL PRESSURE FALL TO 5 - 10 PSI, THE SWITCH WILL OPEN SOUNDING THE ALARM. IN THIS EVENT, THE ALARM WILL EMIT A PULSATING SIGNAL.

CAPTAIN CONTROL PANEL

CAPTAIN PANEL

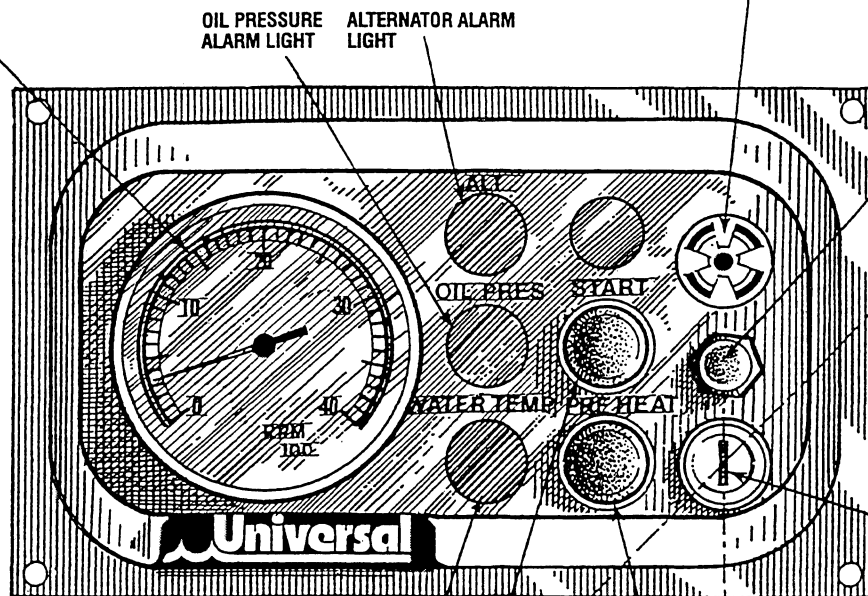
This manually-operated control panel is equipped with a Key Switch, an RPM gauge, PREHEAT and START buttons, an INSTRUMENT TEST button and three indicator lamps, one for ALTERNATOR DISCHARGE, one for low OIL PRESSURE, and one for high ENGINE COOLANT TEMPERATURE. It also includes an alarm buzzer for low OIL PRESSURE or high WATER TEMPERATURE. The RPM gauge is illuminated when the Key Switch is turned on and remains illuminated while the engine is in operation.

and one for high ENGINE COOLANT TEMPERATURE. It also includes an alarm buzzer for low OIL PRESSURE or high WATER TEMPERATURE. The RPM gauge is illuminated when the Key Switch is turned on and remains illuminated while the engine is in operation.

RPM GAUGE: REGISTERS REVOLUTIONS PER MINUTE OF THE ENGINE AND CAN BE RECALIBRATED FOR ACCURACY FROM THE REAR OF THE PANEL.

ALARM: THE ALARM WILL SOUND IF THE ENGINE'S OIL PRESSURE FALLS BELOW 5 - 10 PSI. IN THIS EVENT, THE ALARM WILL EMIT A PULSATING SIGNAL. THE ALARM WILL ALSO SOUND IF THE WATER TEMPERATURE IN THE FRESHWATER COOLING CIRCUIT RISES TO 210°F. IN THIS EVENT, THE ALARM WILL EMIT A SIGNAL.

NOTE: THE ALARM WILL SOUND WHEN THE KEY SWITCH IS TURNED ON. THIS SOUNDING IS NORMAL. ONCE THE ENGINE STARTS AND THE ENGINE'S OIL PRESSURE REACHES 15 PSI, THE ALARM WILL SILENCE.



OIL PRESSURE ALARM LIGHT ALTERNATOR ALARM LIGHT

TEST BUTTON: WHEN PRESSED, TESTS THE ALTERNATOR, THE OIL PRESSURE, AND THE WATER TEMPERATURE CONTROL CIRCUITS. WHEN PRESSED, THE ALTERNATOR, THE OIL PRESSURE, AND THE WATER TEMPERATURE INDICATOR LIGHTS ILLUMINATE IN ADDITION TO SOUNDING THE ALARM BUZZER.

KEY SWITCH: PROVIDES POWER TO THE INSTRUMENT PANEL CLUSTER AND THE DC ALTERNATOR REGULATOR TERMINAL.

WATER TEMPERATURE ALARM LIGHT

START BUTTON: WHEN PRESSED, ENERGIZES THE STARTER'S SOLENOID WHICH CRANKS THE ENGINE. THIS BUTTON WILL NOT OPERATE ELECTRICALLY UNLESS THE PREHEAT BUTTON IS PRESSED AND HELD AT THE SAME TIME.

PREHEAT BUTTON: WHEN PRESSED, ENERGIZES THE FUEL LIFT PUMP AND THE ENGINE'S GLOW PLUGS, AND BYPASSES THE ENGINE'S OIL PRESSURE ALARM SWITCH. IN ADDITION, THIS BUTTON ENERGIZES THE START BUTTON.

CONTROL PANEL TROUBLESHOOTING

TACHOMETER/HOURMETER

The tachometer/hourmeter used in propulsion engine instrument panels contains two separate electrical circuits with a common ground. One circuit operates the hourmeter and the other the tachometer. The hourmeter circuit operates on 12 volts alternator charging voltage supplied to the (+) terminal on the back of the instrument.

The tachometer circuit operates on AC voltage 6 – 8 volts, fed from one of the diodes in the alternator and supplied to the tachometer input terminal while the engine is running, and the alternator producing battery charging voltage 13.0 – 14.8 volts DC.

The following are procedures to follow when troubleshooting a fault in either of the two circuits in a tachometer/hourmeter.

Hourmeter Inoperative

Check for the proper DC voltage between (+) and (-) terminals.

1. Voltage present - meter is defective - repair or replace.
2. Voltage not present - trace (+) and (-) electrical connections for fault. (Jump 12 volts DC to meter (+) terminal to verify the operation.)

Tachometer Inoperative

Check for the proper AC voltage between tachometer input terminal and (-) terminal with the engine running.

1. Voltage present - attempt adjusting meter through calibration access hole. No results, repair or replace meter.
2. AC voltage not present - check for proper alternator DC output voltage.
3. Check for AC voltage at tach terminal on alternator to ground.
4. Check electrical connections from tachometer input terminal to alternator connection.

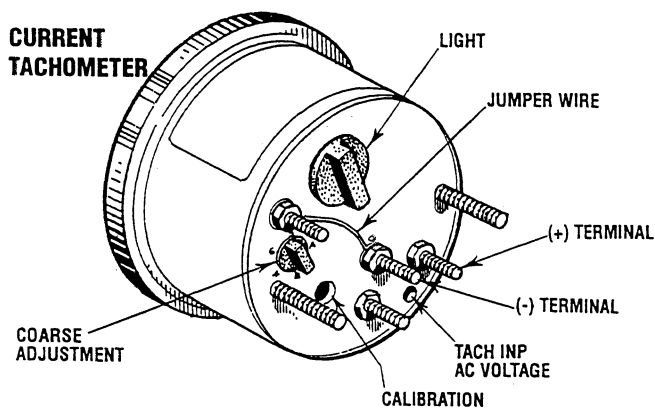
Tachometer Sticking

1. Check for proper AC voltage between "tach inp." terminal and (-) terminal.
2. Check for good ground connection between meter (-) terminal and alternator.
3. Check that alternator is well grounded to engine block at alternator pivot bolt.

Tachometer Inaccurate

- a. With a hand-held tach on the front of the crankshaft pulley retaining nut or with a strobe-type tach, read the front crankshaft pulley rpm at idle.
- b. Adjust the tachometer with a small Phillips type screwdriver through the calibration access hole in the rear of the tachometer. Zero the tach and bring it to the rpm indicated by the strobe or hand tach. (Verify the rpm at idle and at high speed). (Adjust the tach as needed.)

NOTE: Current model tachometers use a coarse adjustment dial to set the tachometer to the crankshaft pulley rpms. The calibrating screw is then used for fine tuning.



IDLE SPEED ADJUSTMENT & TACHOMETER CHECK (New Installation)

Checking the idle speed

NOTE: In a new installation having new instrument panels, the tachometer may not always be correctly calibrated to the engine's rpm. This calibration should be checked in all new installations.

1. Warm up the engine to normal operating temperature. Remove any specks on the crankshaft pulley with a clean cloth and place a piece of suitable reflecting tape on the pulley to facilitate use of a photoelectric type tachometer.
2. Start and idle the engine.
3. Aim the light of the tachometer onto the reflecting tape to confirm the engine speed. Check the instrument panel tachometer reading. Adjust the tachometer in the panel by using the instrument coarse adjustment to calibrate the instrument reading to the closest R.P.M. that the photo tach is showing. Then use the fine calibration adjustment to bring the instrument to the exact reading as the photo tach. The fine calibration adjustment is made using a 5/64 Allen head wrench.
4. Adjust the idle speed if the engine speed is not within the specified value.

Normal idle speed: 1,000 – 1,200 rpm

CONTROL PANEL TROUBLESHOOTING

MANUAL STARTER DISCONNECT (TOGGLE SWITCHES)

NOTE: The engine control system is protected by a 20 amp manual reset circuit breaker located on the engine as close as possible to the power source.

Problem	Probable Cause	Verification/Remedy
PREHEAT depressed, no panel indications fuel solenoid, electric fuel pump and preheat solenoid not energized.	<ol style="list-style-type: none"> 1. Oil Pressure switch. 2. 20 amp circuit breaker tripped. 	<ol style="list-style-type: none"> 1. Check switches and/or battery connections. 2. Reset breaker. If opens again, check preheat solenoid circuit and run circuit for shorts to ground.
START SWITCH DEPRESSED, no starter engagement.	<ol style="list-style-type: none"> 1. Connection to solenoid faulty. 2. Faulty switch 3. Faulty solenoid. 4. Loose battery connections. 5. Low battery. 	<ol style="list-style-type: none"> 1. Check connection. 2. Check switch with ohmmeter. 3. Check that 12 volts are present at the solenoid connection. 4. Check battery connections. 5. Check battery charge state.
NO IGNITION, cranks, does not start.	<ol style="list-style-type: none"> 1. Faulty fueling system. 2. Check for air in the fuel system. 3. Faulty fuel lift pump. 	<ol style="list-style-type: none"> 1. Check for fuel. 2. Allow system to bleed. 3. Replace fuel lift pump.
NOT CHARGING BATTERY	<ol style="list-style-type: none"> 1. Faulty alternator drive. 	<ol style="list-style-type: none"> 1. Check the drive belt and its tension. Be sure the alternator turns freely. Check for loose connections. Check the output with a voltmeter. Ensure 12V are present at the regulator terminal.
BATTERY RUNS DOWN	<ol style="list-style-type: none"> 1. Oil pressure switch. 2. High resistance leak to ground. 3. Low resistance leak to ground. 4. Faulty alternator. 	<ol style="list-style-type: none"> 1. Observe if the gauges and panel lights are activated when the engine is not running. Test the oil pressure switch. 2. Check the wiring. Insert sensitive (0-.25 amp) meter in battery lines (Do NOT start engine). Remove connections and replace after short is located. 3. Check all wires for temperature rise to locate the fault. 4. After a good battery charging, disconnect alternator at output. If leakage stops. Remove alternator and bench test. Repair or replace.

TROUBLESHOOTING WATER TEMPERATURE AND OIL PRESSURE GAUGES

If the gauge reading is other than what is normally indicated by the gauge when the instrument panel is energized, the first step is to check for 12 volts DC between the ignition (B+) and the Negative (B-) terminals of the gauge.

Assuming that there is 12 volts as required, leave the instrument panel energized (key switch on) and perform the following steps:

1. Disconnect the sender wire at the gauge and see if the gauge reads zero, which is the normal reading for this situation.
2. Connect the sender terminal at the gauge to ground and see if the gauge reads full scale, which is the normal reading for this situation.

If both of the above gauge tests are positive, the gauge is undoubtedly OK and the problem lies either with the conductor from the sender to the gauge or with the sender.

If either of the above gauge tests are negative, the gauge is probably defective and should be replaced.

Assuming the gauge is OK, check the conductor from the sender to the sender terminal at the gauge for continuity.

Check that the engine block is connected to the ground. Some starters have isolated ground terminals and if the battery is connected to the starter (both plus and minus terminals), the ground side will not necessarily be connected to the block.

GLOW PLUG SERVICE

GLOW PLUGS

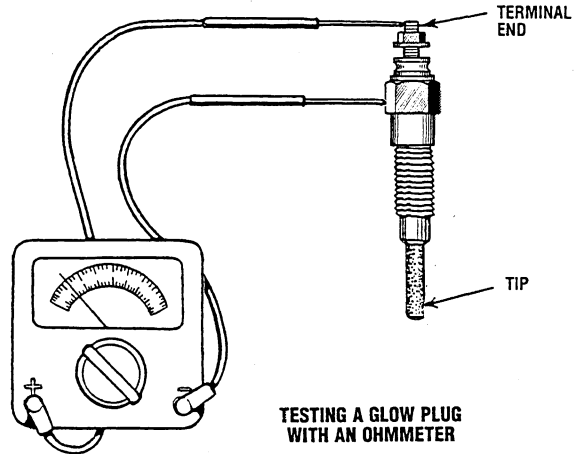
The glow plugs are wired through the preheat solenoid. When PREHEAT is pressed at the control panel this solenoid should “click” on and the glow plug should begin to get hot.

Inspection

To inspect the plug, remove the electrical terminal connections, then unscrew or unclamp each plug from the cylinder head. Thoroughly clean each plug’s tip and threads with a soft brush and cleaning solution to remove all the carbon and oil deposits. While cleaning, examine the tip for wear and burn erosion; if it has eroded too much, replace the plug.

Testing

An accurate way to test glow plugs is with an ohmmeter. This method can be used with the plug in or out of the engine. You can also use an ammeter to test the power drain (8 – 9 amps per plug).



⚠ WARNING: *These glow plugs will become very hot to the touch. Be careful not to burn your fingers when testing the plugs.*

1. Disconnect the leads from the glow plugs.
2. Measure the resistance with the ohmmeter across the glow plug terminal and the body of the glow plug (see illustration).
3. If 0 ohm is indicated, the screw at the tip of the glow plug and the body of the glow plug are short-circuited.
4. If the standard value is not indicated, the glow plug is faulty; replace the glow plug.

DESCRIPTION	STANDARD VALUE
Glow plug resistance	Approx. 0.9 to 1.2 Ω

Re-install the plugs in the engine and test them again. The plugs should get very hot (at the terminal end) within 7 to 15 seconds. If the plugs don’t heat up quickly, check for a short circuit. When reinstalling the glow plugs, use anti-seize compound on the threads.

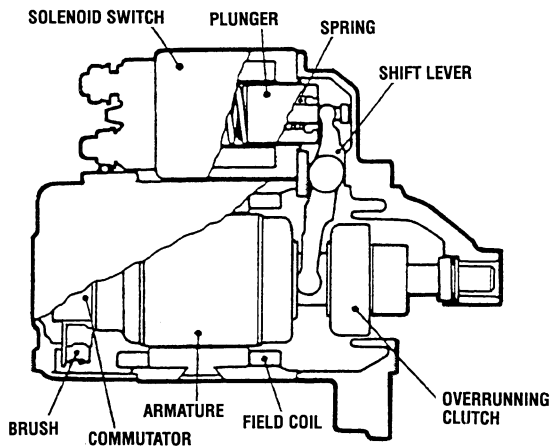
Glow plug tightening torque	5.8 – 10.8 ft.-lbs. (0.8 – 1.5 kg-m) (7.8 – 14.7 Nm)
-----------------------------	--

⚠ WARNING: *Do not keep a glow plug on for more than 30 seconds.*

STARTER SERVICE

STARTER DESCRIPTION

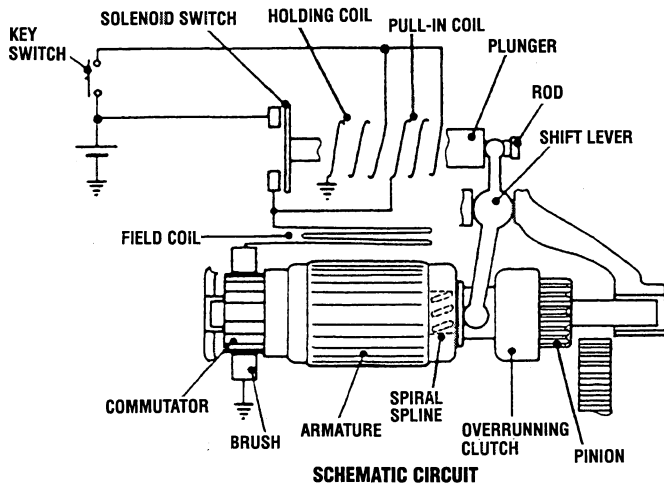
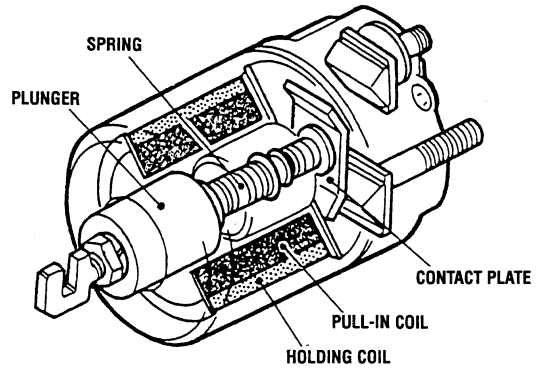
The starter is of the electromagnetic drive type. It is composed of a starting motor and a solenoid switch.



Solenoid Switch

The solenoid switch forces out the pinion for engaging with the ring gear, and operates as a relay to drive the armature.

It consists of a pull-in coil, a holding coil and a plunger.



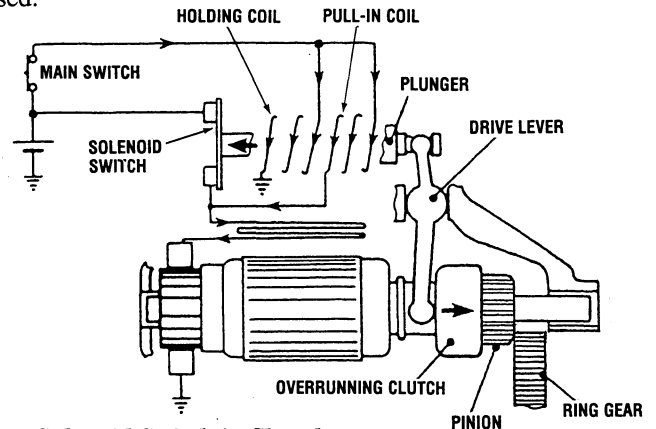
Starter Operation

When Main Switch is Turned to "START" Position

The contacts of the main switch close and the holding coil is connected to the battery to pull the plunger.

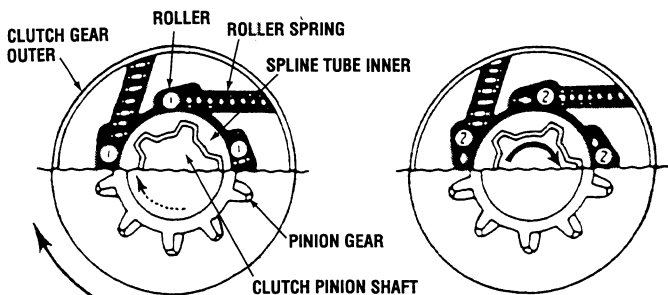
The pull-in coil and the starting motor are also connected to the battery.

The pinion is pushed against the ring gear with the overrunning clutch by the drive lever, and the solenoid switch is closed.



Overrunning Clutch

The overrunning clutch is so constructed that the power transmission relationship is automatically severed when the clutch pinion shaft speed exceeds the clutch gear outer speed at increased engine speeds. Therefore, the armature drives the ring gear and is never driven by the engine.



WHEN POWER IS TRANSMITTED

IDLING ROTATION WITH CLUTCH PINION SHAFT SPEED EXCEEDING THAT OF CLUTCH GEAR OUTER

When Solenoid Switch is Closed

The current from the battery flows through the solenoid switch to the starting motor.

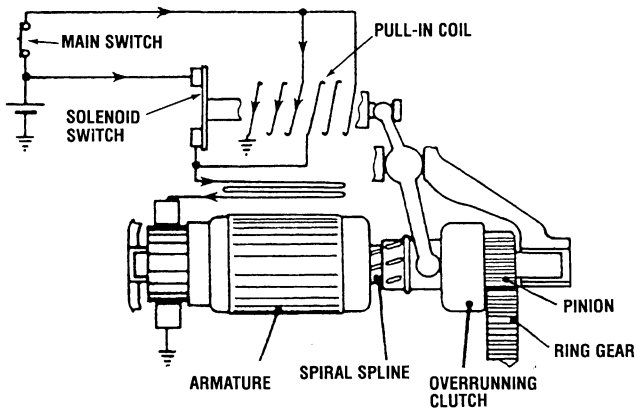
The pinion, which is pushed against the ring gear and rotated along the spline, meshes with the ring gear to crank the engine.

The engine starts and increases its speed.

While the pinion spins faster than the armature, the overrunning clutch allows the pinion to spin independently from the armature.

The pull-in coil is short-circuited through the solenoid switch and the main switch.

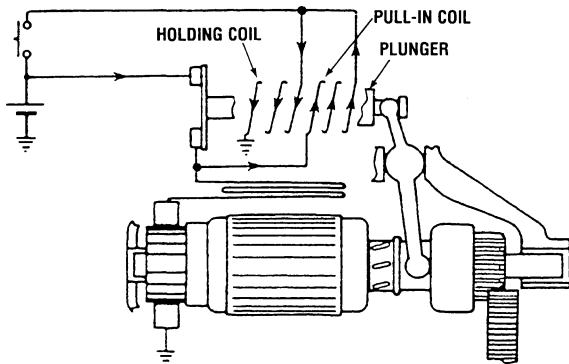
STARTER SERVICE



When Main Switch is Released

The current from the battery flows to the holding coil through the pull in coil to diminish the magnetism between them.

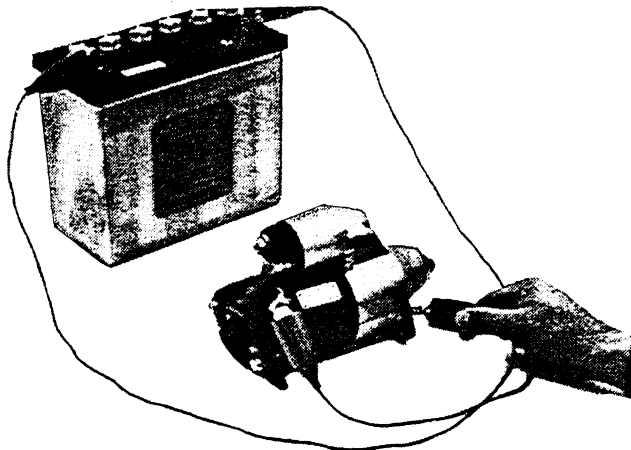
The plunger is pushed by the spring to pull in the pinion.



STARTER TESTING

Motor Test

1. Disconnect the connecting lead from the C terminal of the starter and connect a jumper lead from the connecting lead to the positive battery terminal.
2. Connect a jumper lead momentarily between the starter body and the negative battery terminal.
3. If the motor does not run, check the motor.

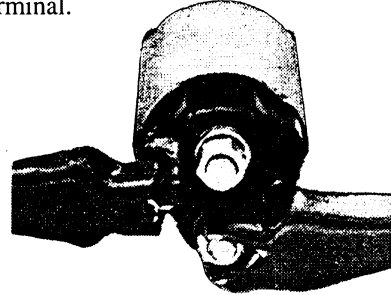


Magnet Switch

NOTE: Each test should be carried out for a start time (3 to 5 seconds), and at half of the rated voltage (6V).

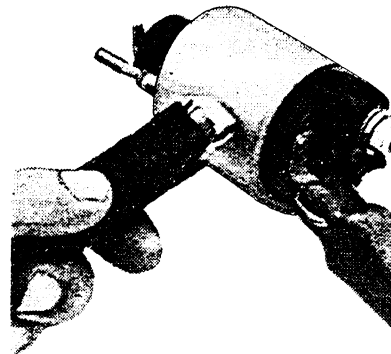
Checking Pull-In Coil

1. Connect jumper lead from the battery's negative terminal post to the C terminal.
2. The plunger should be attracted strongly when a jumper lead is connected from the battery positive terminal to the S terminal.



Checking Holding Coil

1. Connect jumper leads from the battery's negative terminal post to the body, and the battery's positive terminal post to the S terminal.
2. Push the plunger in by hand and release it. Then, the plunger should remain being attracted.



STARTER SERVICE

STARTER DISASSEMBLY & REASSEMBLY

1. Unscrew the mounting nut 6, and disconnect the connecting lead 11.
2. Unscrew the solenoid switch mounting nuts 1, and remove the solenoid switch 5.
3. Remove the end frame cap 16.
4. Remove the brake shoe 15, brake spring 14 and gasket 13.
5. Unscrew the through bolts 21, and remove the rear end frame 12.
6. Remove the brush from the brush holder while holding the spring up.

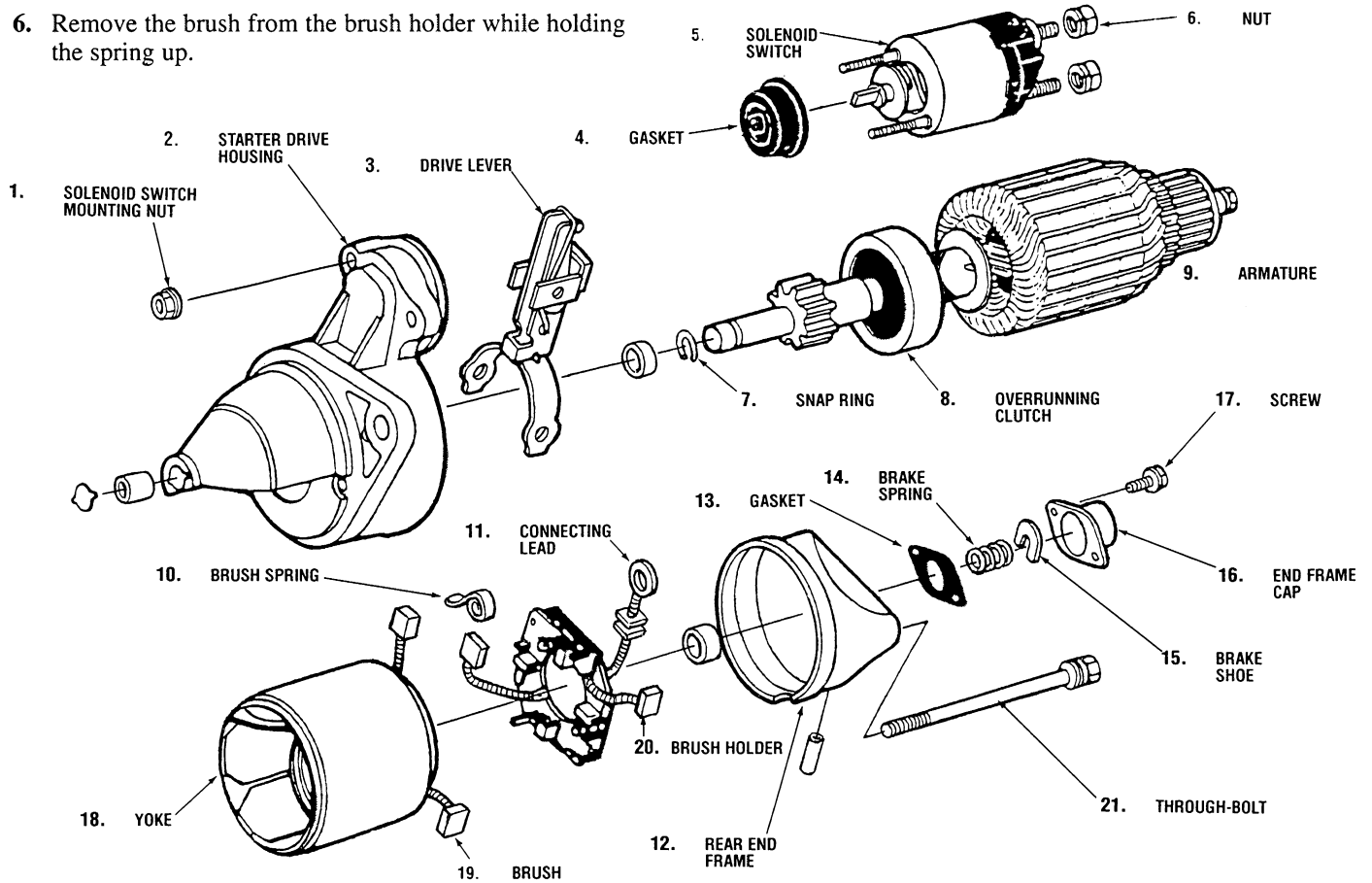
7. Remove the brush holder 20.
8. Draw out the yoke 18 from the starter drive housing 2.
9. Draw out the armature 9 with the drive lever 3.

NOTE: Do not damage the brush or commutator.

When Reassembling:

Apply grease to the following parts shown in the illustration:

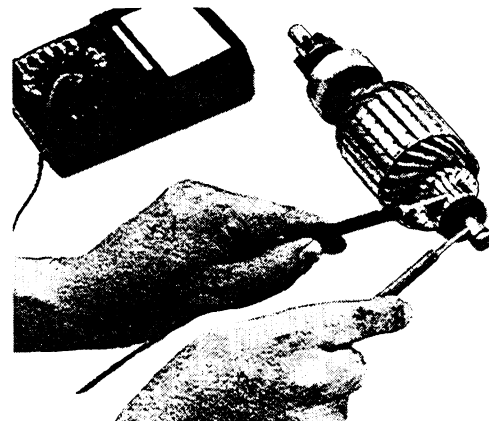
- | | |
|----------------------------|------------------------|
| a Joint of solenoid switch | d Collar |
| b Bushing | e Teeth of pinion gear |
| c Drive lever | f Armature shaft |



STARTER SERVICE

Armature Coil

1. Check the continuity across the commutator and armature shaft with an ohmmeter.
2. If it conducts, replace the armature.



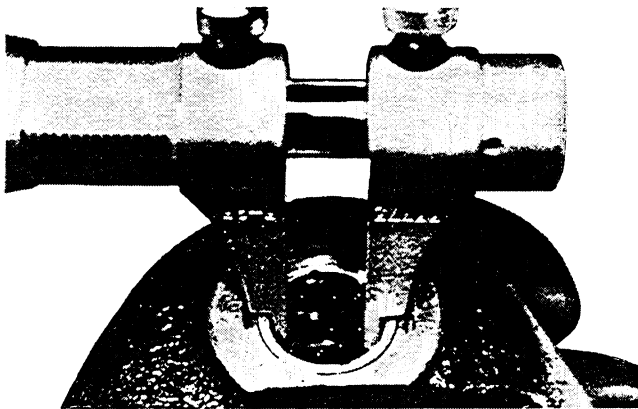
STARTER SERVICE

Clearance between Armature Shaft and Bushing

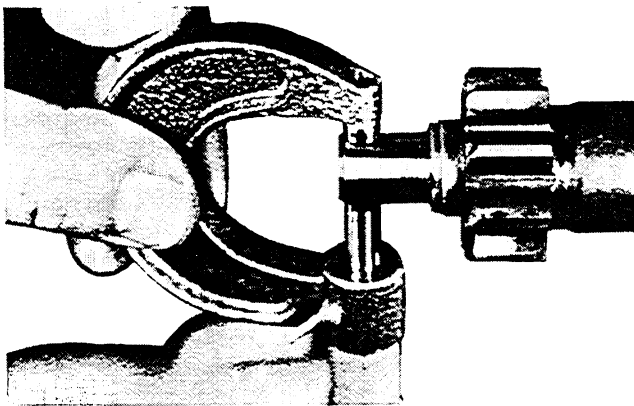
1. Measure the bushing I.D. on the drive side and commutator side.
2. Measure the armature shaft O.D. on the drive side and commutator side, and calculate the clearance.
3. If the clearance exceeds the limit, replace the bushing.

DESCRIPTION	STANDARD VALUE	LIMIT
Clearance between armature shaft and bushing		
Commutator side	0.001 – 0.003 in. (0.03 – 0.10 mm)	0.007 in. (0.20 mm)
Drive side	0.002 – 0.003 in. (0.05 – 0.10 mm)	0.007 in. (0.20 mm)

DESCRIPTION	STANDARD VALUE
Armature shaft O.D.	0.492 in. (12.50 mm)
Bushing I.D. (commutator side)	0.493 – 0.496 in. (12.53 – 12.60 mm)
Bushing I.D. (drive side)	0.494 – 0.496 in. (12.55 – 12.60 mm)



MEASURING BUSHING I.D.

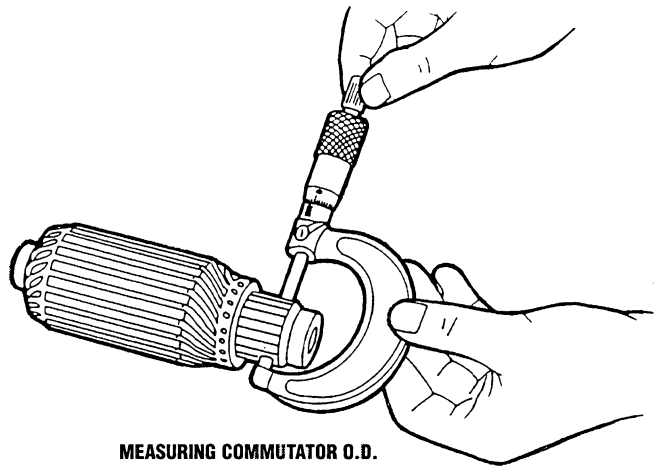


MEASURING ARMATURE SHAFT O.D.

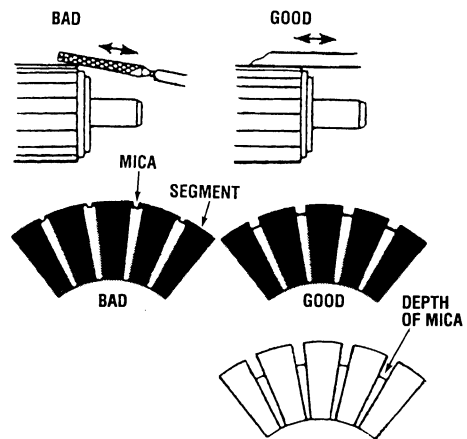
Commutator and Mica

1. If the commutator surface is dirty or dusty, clean it with sandpaper.
2. Measure the commutator O.D. with vernier calipers at several places.
3. If the difference of the O.D.'s exceeds the limit, correct the commutator on a lathe to the standard value.
4. If the minimum O.D. is less than the limit, replace the armature.
5. Measure the mica undercut depth.
6. If the undercut is less than the limit, correct it with a saw blade and chamfer the segment edges.

DESCRIPTION	STANDARD VALUE	LIMIT
Commutator O.D.	1.102 in. (28.0 mm)	1.063 in. (27.0 mm)
Difference of O.D.'s	Less than 0.002 in. (0.05 mm)	0.016 in. (0.4 mm)
Mica Undercut	0.020 – 0.031 in. (0.5 – 0.8 mm)	0.008 in. (0.2 mm)



MEASURING COMMUTATOR O.D.

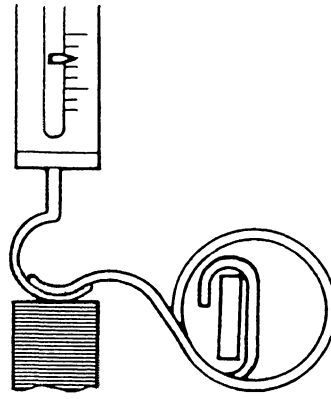
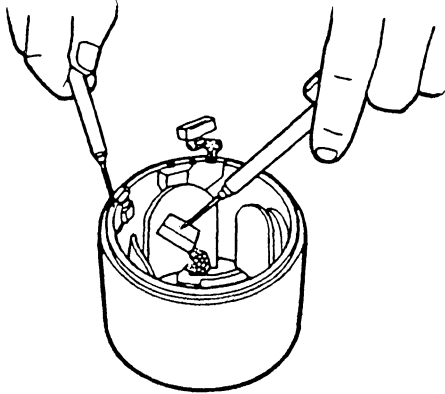


MEASURING MICA UNDERCUT DEPTH

STARTER SERVICE

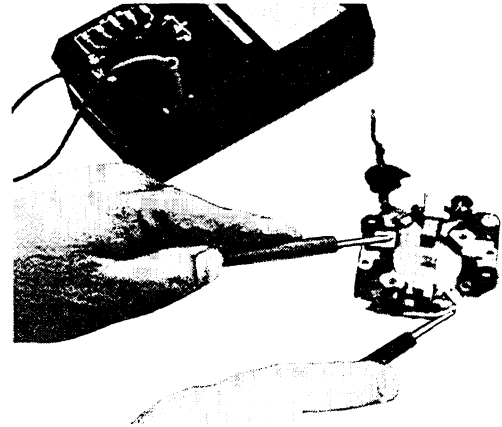
Field Coil

1. Check the continuity across the yoke and brush with an ohmmeter.
2. If either are not conducting, replace the yoke assembly.



Brush Holder

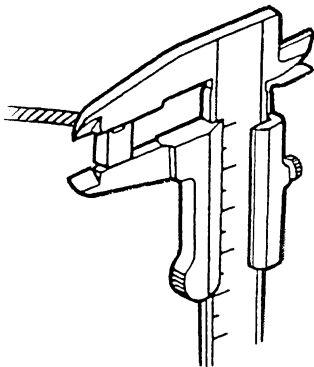
1. Check the continuity across the brush holder and the holder support with an ohmmeter.
2. If it conducts, replace the brush holder.



Brush Wear

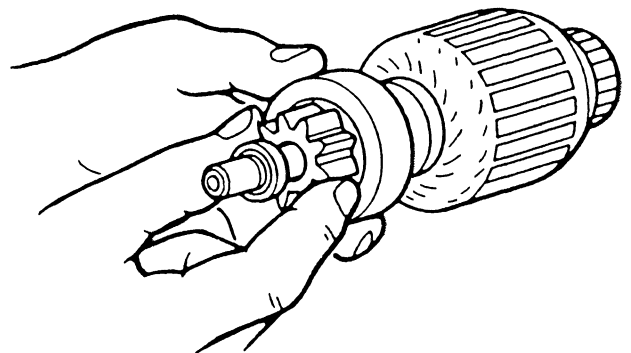
1. If the contact face of the brush is dirty or dusty, clean it with sandpaper.
2. Measure the brush length with vernier calipers.
3. If the length is less than the limit, replace the yoke assembly and brush holder.

DESCRIPTION	STANDARD VALUE	LIMIT
Brush Length	0.630 in. (16.0 mm)	.413 in. (10.5 mm)



Overrunning Clutch

1. Inspect the pinion for wear or damage.
2. If there is any defect, replace it.
3. Check that the pinion turns freely and smoothly in the overrunning direction and does not slip in the cranking position.
4. If the pinion slips or does not turn in both directions, replace the overrunning clutch assembly.



Brush Spring

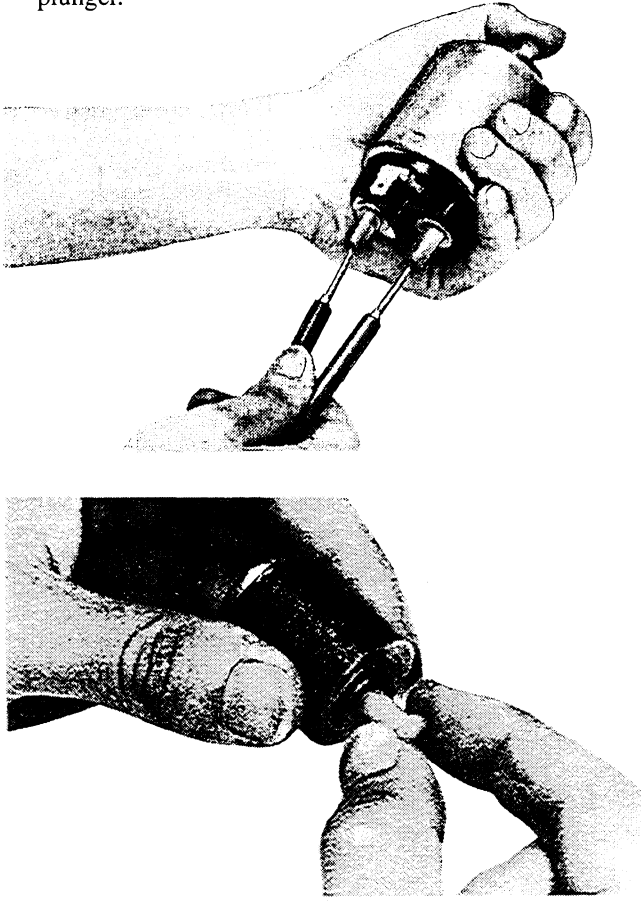
1. Pull the brush in the brush holder with a spring scale.
2. Measure the brush spring tension required to raise the spring from contact position with the commutator.
3. If the tension is less than the limit, replace the spring.

DESCRIPTION	STANDARD VALUE	LIMIT
Spring Tension	3.1 – 5.7 lbs. (1.4 – 2.6 kgf) (13.7 – 25.5 N)	2.0 lbs. (0.9 kgf) (8.8 N)

STARTER SERVICE

Solenoid Switch

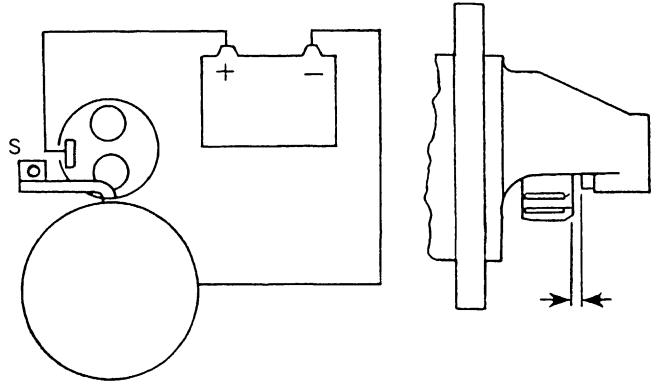
1. Check the continuity across **B** and **M** terminals with an ohmmeter, pushing in the plunger.
2. If not continuous or if a certain value is indicated, replace the solenoid switch.
3. Pull the pull-rod to check the spring built in the plunger.



Pinion Clearance

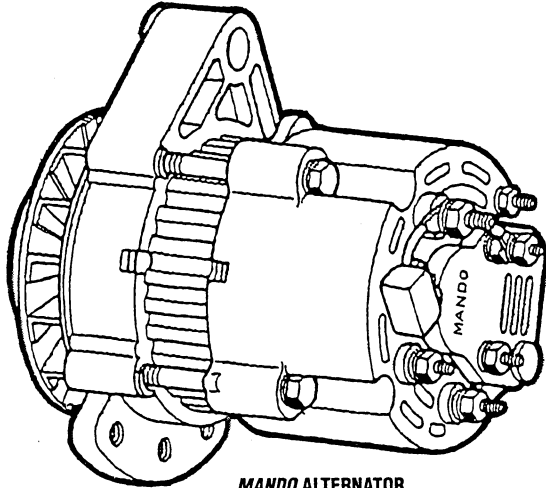
1. Reassemble the starter with the connecting leads unconnected.
2. Connect a cable from the negative terminal of the battery to the starter body, and a cable from **S** terminal of the starter to the positive terminal of the battery, to force out the pinion.
3. Push back the pinion slightly to kill the play, and measure the pinion clearance.
4. If the clearance is not within the specified values, add or remove the washer between the solenoid switch and the front end frame.

DESCRIPTION	STANDARD VALUE
Pinion Clearance	0.020 – 0.079 in. (0.05 – 2.0 mm)



MANDO ALTERNATOR SERVICE

PRECAUTIONS FOR TESTING ALTERNATOR



MANDO ALTERNATOR

⚠ WARNING: Be sure that the engine compartment is well ventilated and that there is no gasoline vapor present. This is to prevent the possibility of an explosion and/or fire should a spark occur.

⚠ WARNING: Keep fingers and clothing away from the alternator belt and pulley; severe bodily harm can occur.

⚠ CAUTION:

1. Do not attempt to polarize the alternator.
2. Do not short across or ground any of the terminals on the alternator, except as specifically instructed in the troubleshooting tests.
3. Never disconnect the alternator-output lead or battery cables when the alternator is being driven by the engine.
4. Never disconnect the regulator lead from the alternator-regulator terminal when the alternator is being driven by the engine.
5. Always remove the negative (-) battery cable from the battery before working on the alternator system.
6. When installing the battery, be sure to connect the negative (-) (grounded) battery cable to the negative (-) battery terminal and the positive (+) battery cable to the positive (+) battery terminal.
7. If a charger or booster battery is to be used, be sure to connect it in parallel with the existing battery (positive to positive; negative to negative).

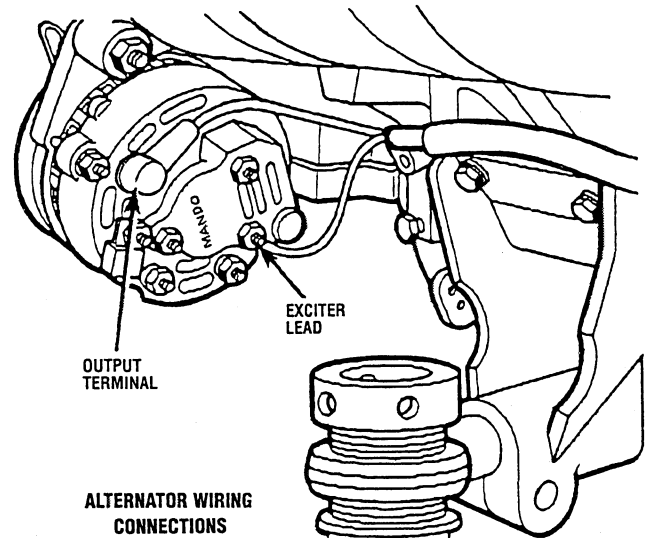
TORQUE SPECIFICATIONS

TORQUE SPECIFICATIONS		
Fastener Location	lb-ft Nm	lb-in. Nm
Alternator front housing screws	—	25 – 35 lb-in. (2.8 – 4.0 Nm)
Alternator end frame screws	—	35 – 65 lb-in. (4.0 – 7.3 Nm)
Alternator pulley nut	35 – 50 lb-ft (47 – 68 Nm)	—
Regulator mounting screws	—	25 – 45 lb-in. (2.8 – 5.1 Nm)

PREPARING TO CHECK ALTERNATOR

Before starting the alternator tests, check these items:

1. If the problem is an undercharged battery, check to ensure that the undercharged condition has not been caused by an excessive accessory current draw or by accessories which have accidentally been left on. Also, check that the undercharged condition has not been caused by running the engine at too low a speed for extended periods of time.
2. Check the physical condition and the state of charge of the battery. The battery *must be* fully charged to obtain valid results in the following tests. If not, charge the battery before testing the system.
3. Inspect the entire alternator system wiring for defects. Check all connections for tightness and cleanliness, particularly the battery cable clamps and battery terminals.

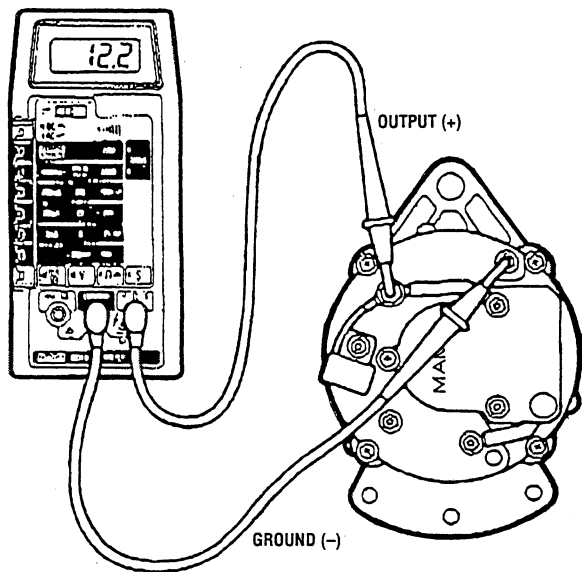


4. Check the alternator drive belt for excessive wear, cracks, fraying and glazed surfaces, and replace it if necessary. Also check the drive belt tension and adjust it if necessary (see *DRIVE BELT ADJUSTMENT* under *ENGINE ADJUSTMENTS*).

MANDO ALTERNATOR SERVICE

TEST OUTPUT CIRCUIT

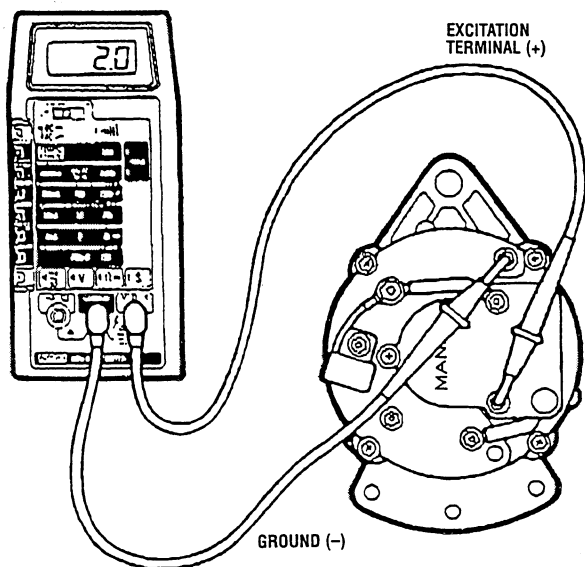
1. Connect the positive voltmeter lead to the alternator output terminal and the negative lead to the ground terminal on the alternator (see illustration).
2. Wiggle the engine wiring harness while observing the voltmeter. The meter should indicate the approximate battery voltage, and should not vary. If no reading is obtained, or if the reading varies, check the alternator-output circuit for loose or dirty connections or damaged wiring.



TESTING ALTERNATOR OUTPUT CIRCUIT

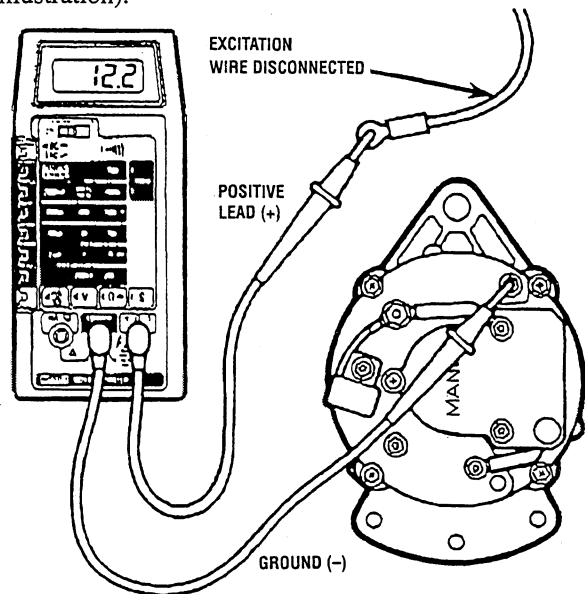
TEST EXCITATION CIRCUIT

1. Connect the positive (+) voltmeter lead to the excitation terminal on the alternator and the negative (-) lead to the ground terminal on the alternator.



TESTING EXCITER CIRCUIT

2. Turn the ignition switch to the on position and note the voltmeter reading. The reading should be 1.3 to 2.5 volts (see illustration).
3. If the reading is between .75 and 1.1 volts, the rotor field circuit probably is shorted or grounded. Disassemble the alternator and test the rotor as described under *CLEAN AND TEST ALTERNATOR COMPONENTS* in this section.
4. If the reading is between 6.0 and 7.0 volts, the rotor field circuit probably is open. Remove the regulator and inspect it for worn brushes or dirty slip rings. Replace the brushes if they are less than 1/4 in. (6 mm) long. If the brushes and slip rings are in good condition, disassemble the alternator and test the rotor, as outlined under *CLEAN AND TEST ALTERNATOR COMPONENTS* in this section.
5. If no reading is obtained, an open exists in the alternator-excitation lead or in the excitation circuit of the regulator. Disconnect the lead from the regulator. Connect the positive voltmeter lead to this lead, and the negative voltmeter lead to ground. If the voltmeter now indicates an approximate battery voltage, the voltage regulator is defective and must be replaced. If no voltage is indicated, check the excitation circuit for loose or dirty connections or damaged wiring (see illustration).



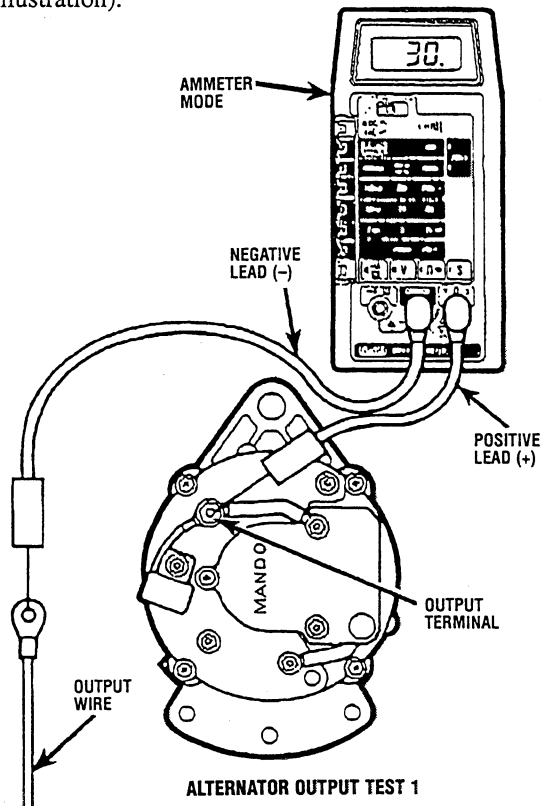
TESTING EXCITER LEAD

MANDO ALTERNATOR SERVICE

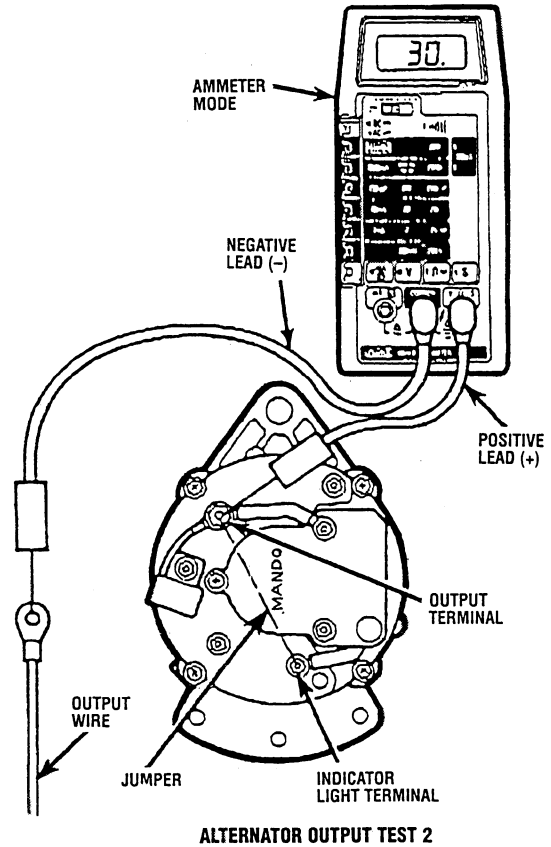
TEST ALTERNATOR CURRENT OUTPUT

Perform this test to check if the alternator is capable of producing the rated current output, using a 0 – 55 amp DC ammeter.

1. Disconnect the negative (–) battery cable from the battery.
2. Disconnect the output lead from the alternator-output terminal and connect the ammeter in series between the lead and the output terminal. Connect the positive side of the ammeter toward the output terminal.
3. Reconnect the negative battery cable.
4. Diesel: Operate the engine stop lever. Perform this so the engine can be cranked with the starter motor and not start. Turn on all accessories and crank the engine over with the starter motor for 15 – 20 seconds.
5. Turn off the accessories. Return the stop lever to the run position. Start the engine and adjust the engine speed to 1500 – 2000 rpm. Quickly observe the ammeter. The reading should be at least 30 amps (see illustration).



7. If the reading is now within the specifications, the diode trio is faulty. Disassemble the alternator and replace the diode trio, as explained in this section.
8. If the reading is still low with the jumper lead connected, perform the Voltage Regulator Test to determine if the fault is in the regulator or the alternator.



TEST VOLTAGE REGULATOR

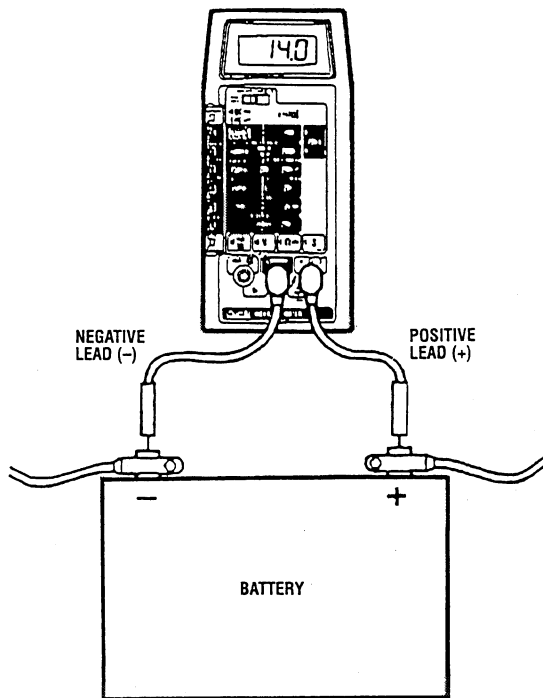
Perform this test to determine if the voltage regulator is operating correctly, using a 0 – 20 volt DC voltmeter.

NOTE: The battery must be fully charged, 1.265 or above specific gravity, to obtain a proper voltage reading in this test. If necessary, charge the battery with a battery charger or allow the engine to run a sufficient length of time to fully charge the battery before taking a reading.

1. Connect the positive (+) voltmeter lead to the positive battery terminal and the negative (–) voltmeter lead to the negative terminal (see illustration).

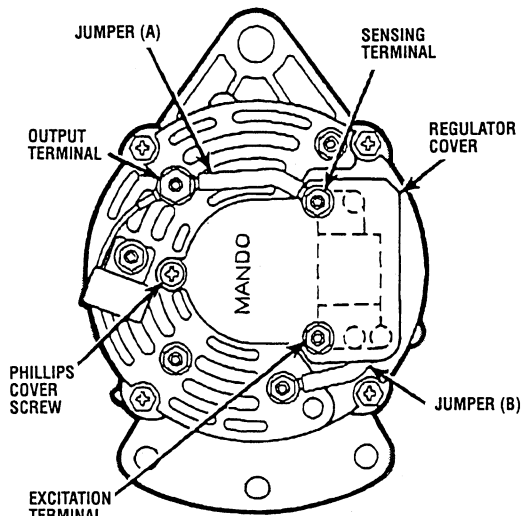
6. If the reading is low, stop the engine and connect a jumper lead between the alternator-output terminal and the indicator light terminal. Repeat Steps 4 and 5 (see illustration).

MANDO ALTERNATOR SERVICE



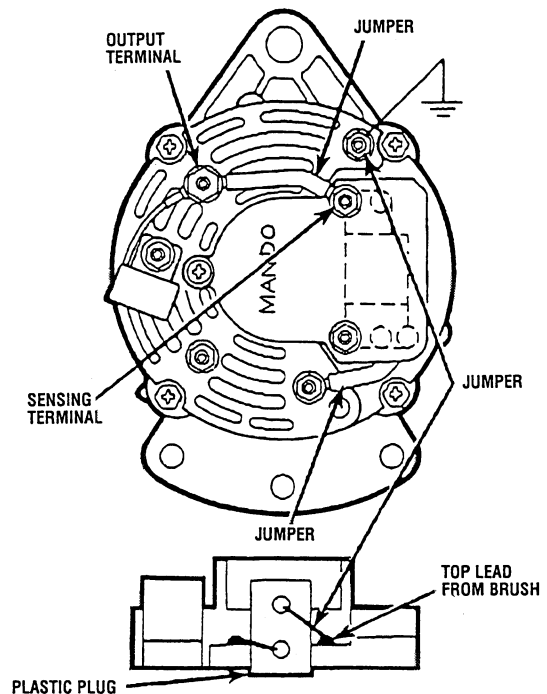
SYSTEM VOLTAGE CHECK

2. Start the engine and run it at fast idle until the engine reaches its normal operating temperature. Adjust the engine speed to 1500 – 2000 rpm and observe the voltmeter for the highest reading. The reading should be between 13.7 and 14.7 volts.
3. If the reading is high, check for a loose or dirty regulator ground lead connection. If the connection is good, the voltage regulator is faulty and must be replaced. Be sure to disconnect the battery cables before attempting to remove the regulator.
4. If the reading is low:
 - a. Stop the engine.
 - b. Remove the Phillips cover screw from the regulator cover (see illustration).



REGULATOR COVER REMOVAL

- c. Remove the nut from the output terminal and the nut from the sensing terminal, and remove Jumper (A).
- d. Remove another nut from the sensing terminal, and the nut from the excitation terminal.
- e. Remove the regulator cover.
- f. Temporarily install Jumper (A) and all associated nuts. Leave Jumper (B) installed.
- g. Remove the plastic plug from the side of the regulator.
- h. Connect a jumper between the top brush lead from the brush and ground (see illustration).



END VIEW OF REGULATOR WITH COVER REMOVED

- i. Repeat steps 1 and 2.

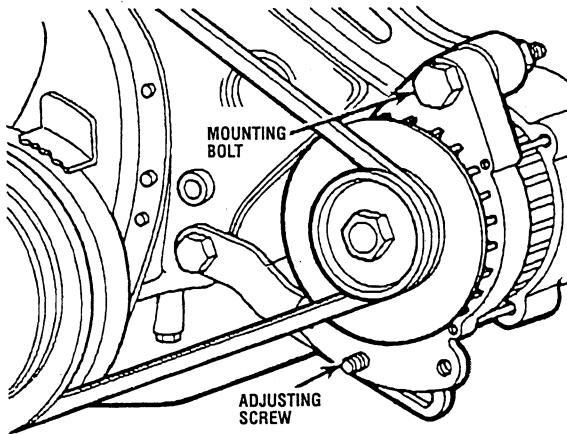
NOTE: Do not let the voltage exceed 16 volts.

- j. If a voltmeter reading of 14.5 volts or above is now obtained, the voltage regulator is faulty and must be replaced. If the voltmeter reading is below 14.5 volts, inspect the brushes and slip rings for wear, dirt or damage. If the brushes and slip rings are good, the alternator is faulty internally. Disassemble the alternator and test the components, as outlined in this section.

REMOVE ALTERNATOR

1. Disconnect the negative (-) battery ground cable.
2. Disconnect the wiring leads.
3. Loosen the screws. Holding the alternator, rotate it toward the engine and lift the belt off the pulley.
4. Remove the screws and washers and remove the alternator.

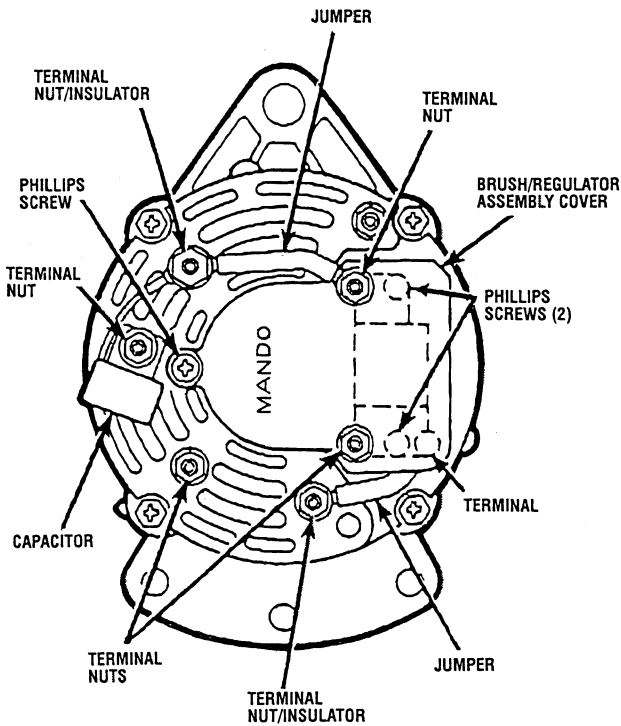
MANDO ALTERNATOR SERVICE



ALTERNATOR MOUNTING

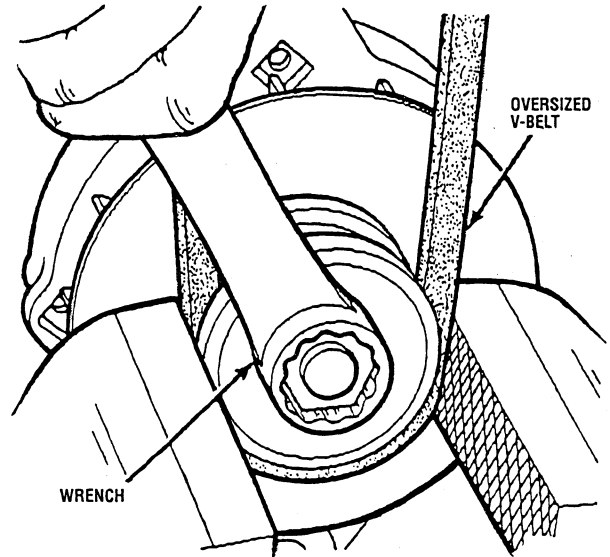
DISASSEMBLE ALTERNATOR

1. Remove the terminal nuts to remove the jumper (see illustration).
2. Remove the remaining terminal nuts.
3. Remove the capacitor.
4. Remove the Phillips screw from the regulator cover.
5. Remove the brush/regulator-assembly cover.
6. Remove the nut from the terminal.
7. Remove the jumper.
8. Remove the terminal insulators.
9. Remove the two Phillips screws and remove the brush/regulator assembly.



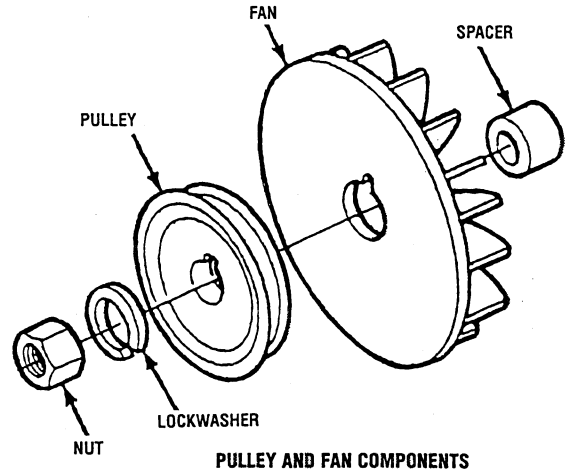
ALTERNATOR DISASSEMBLY

10. Place an oversized V-belt around the pulley and fasten the pulley in a vise.
11. Use a 7/8 in. box wrench to loosen and remove the pulley nut.



PULLEY REMOVAL

12. Remove the pulley nut, lockwasher, pulley, fan, and spacer (see illustration).



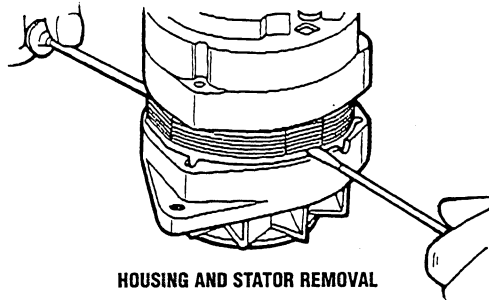
PULLEY AND FAN COMPONENTS

CAUTION: DO NOT insert screwdriver blades more than 1/16 in. (1.6 mm). Damage to the stator winding could result from deeper penetration.

NOTE: Score the stator, and the front and rear housings so the unit may be reassembled correctly.

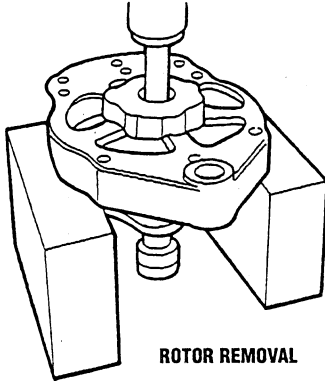
13. Remove the four through-bolts and carefully pry the front housing away from the rear housing using two screwdrivers (see illustration).

MANDO ALTERNATOR SERVICE



HOUSING AND STATOR REMOVAL

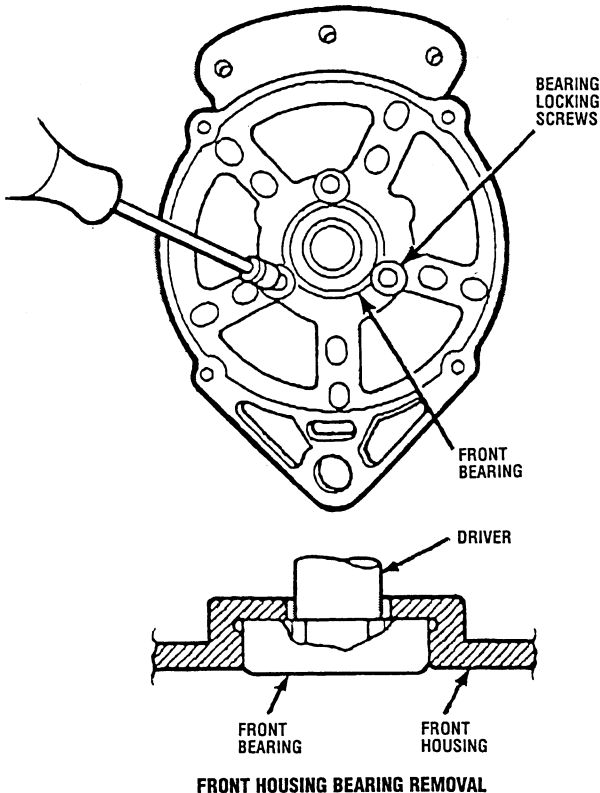
14. Carefully push the rotor assembly out of the front housing and rear housing (see illustration).



ROTOR REMOVAL

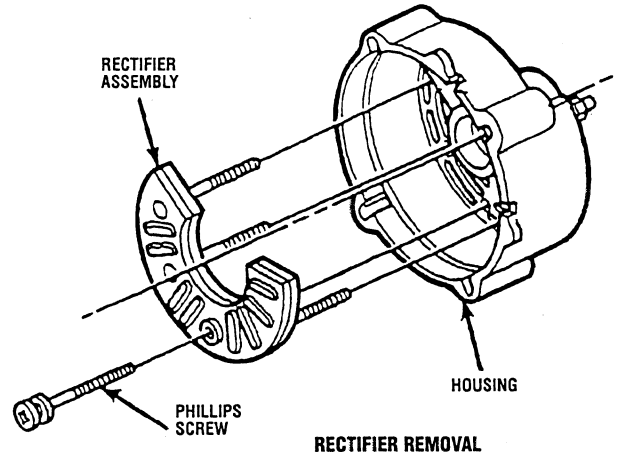
NOTE: If the bearing is removed from the housing, a new bearing must be installed.

15. After removing the three bearing locking screws, carefully press the front bearing out of the housing. Press against the inner race of the bearing (see illustration).



FRONT HOUSING BEARING REMOVAL

16. Remove the rectifier assembly by removing the Phillips screw and lifting out the assembly.

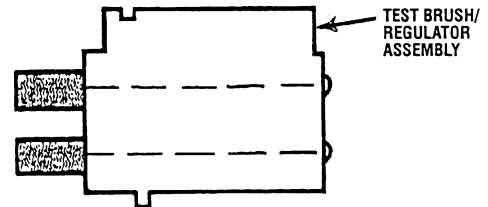


RECTIFIER REMOVAL

CLEAN AND TEST ALTERNATOR COMPONENTS

1. Inspect and test the brush/regulator assembly. The brush set may be reused if the brushes are 1/4 in. (6 mm) or longer. The brushes must not be oil soaked, cracked or grooved.

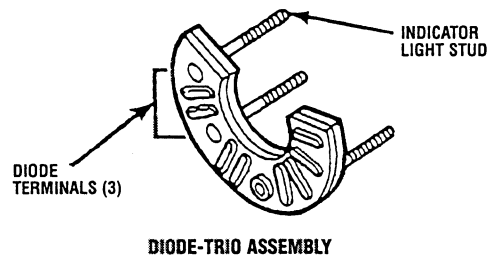
Test for continuity between 1 and 2, and 3 and 4 using a test lamp or an ohmmeter. These checks will indicate a good brush/regulator assembly; replace the complete assembly, if necessary (see illustration).



TESTING BRUSH/REGULATOR ASSEMBLY

2. Inspect and test the diode-trio assembly:

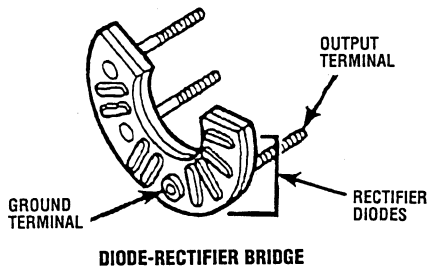
a. Using a commercial diode tester, a 12-volt DC test lamp or an ohmmeter, check the resistance between each of the three diode terminals and the indicator light stud (see illustration).



DIODE-TRIO ASSEMBLY

MANDO ALTERNATOR SERVICE

- b. Reverse the tester leads and repeat the resistance checks.
 - c. A very low resistance should be indicated in one direction and a very high resistance should be indicated in the other direction if the diodes are normal.
 - d. If any diode appears to be defective, replace the complete assembly. Do not attempt to replace an individual diode.
3. Test the diode-rectifier bridge as follows:



- a. Using a commercial diode tester, check for continuity from each of three terminals to the output terminal (see illustration).
 - b. Reverse the tester leads and repeat Step a.
 - c. Continuity should exist in only one direction and all diodes should check alike.
 - d. Perform the same continuity checks between the three terminals and strap ground terminal. This should show continuity in only one direction through the diodes and all diodes should check alike.
 - e. If any diode appears to be defective, replace the rectifier assembly.
4. Clean and inspect the front and rear housings:

- a. Inspect the rear housing for cracks or breaks in the casting, stripped threads or a damaged bearing bore. Replace the housing if any of these conditions exist.
- b. Inspect the front housing for cracks, stripped or damaged threads in the adjusting ear, or an out-of-round bore in the mounting foot. If possible, correct slightly damaged threads using a tap. Replace the housing, if necessary.
- c. If the housings are to be reused, clean them in solvent and dry with compressed air.

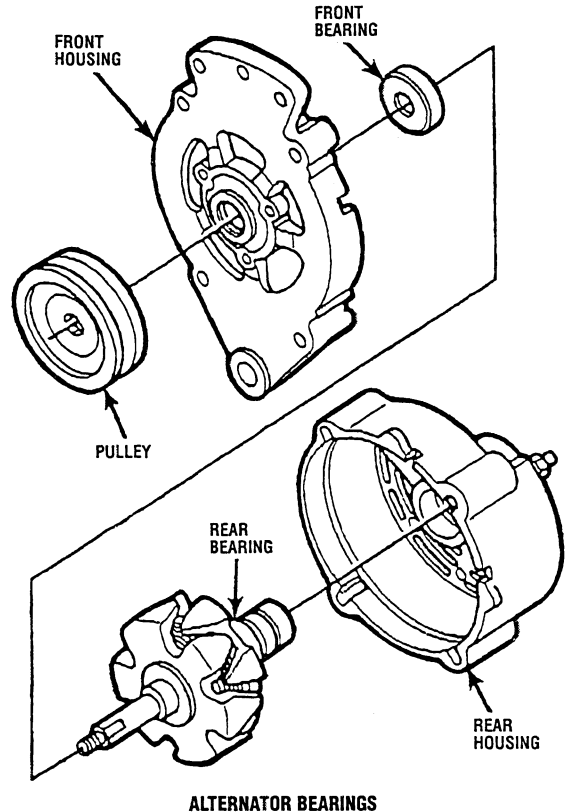
5. Clean and inspect the rotor shaft bearings:

NOTE: Do not use a solvent on the rear rotor bearing since it is serviced as a unit with the rotor.

- a. The bearings should be wiped clean with a lint-free cloth containing a moderate amount of commercial solvent. Do not immerse a bearing in solvent, or use pressurized solvent or air.
- b. Check the bearings for obvious damage, looseness or rough rotation. Replace a bearing if any doubt exists as to its condition.

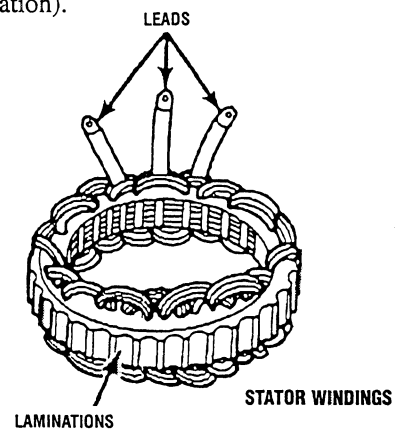
NOTE: If the rear rotor bearing needs replacement, replace the entire rotor.

6. Inspect the belt pulley for rough or badly worn belt grooves or keyway, and for cracks or breaks. Remove minor burrs and correct minor surface damage; replace a badly worn or damaged pulley.



7. Test the stator windings as follows:

- a. Using an ohmmeter or test lamp, check for continuity between all three leads (1, 2, and 3). A low ohm reading or lit test lamp should be observed (see illustration).



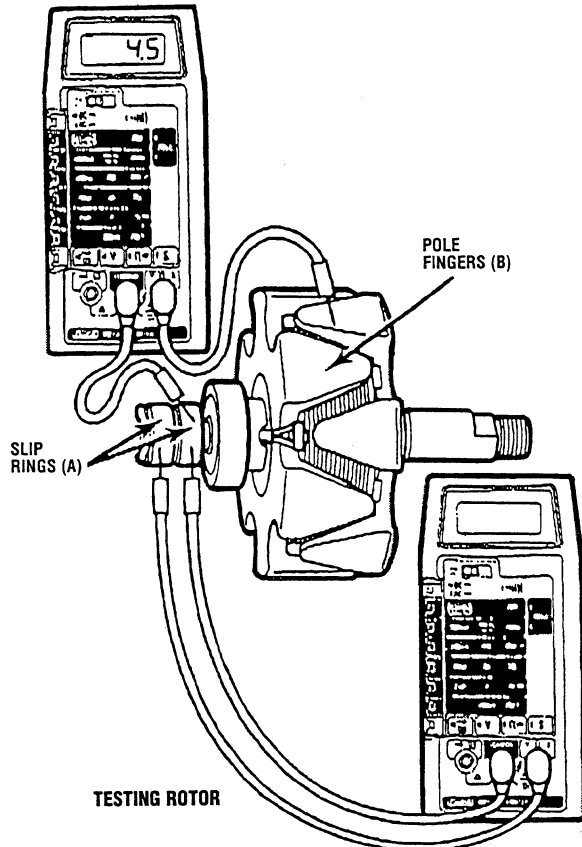
- b. Check the resistance from each lead (1, 2, and 3) to the laminations (4). There should be no continuity if the insulation is good.

MANDO ALTERNATOR SERVICE

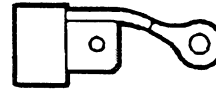
- c. Inspect the stator windings for signs of discoloration. A discolored winding should be replaced.
 - d. If a winding shows a high resistance or an open circuit between any two of the three winding terminals or indicates poor insulation between the windings and the laminations, the stator must be replaced.
8. Check the rotor assembly as follows:

NOTE: If slip rings need to be replaced, you must replace the entire rotor.

- a. Visually inspect for physical defects such as damaged shaft threads, worn or damaged bearing areas, burned or pitted slip rings or scuffed pole fingers (see illustration).
- b. Measure the winding resistance across the slip rings (A). Place the ohmmeter leads on the edges of the slip rings, not on the brush contact surfaces. The correct winding resistance at 70 – 80° F (21 – 27° C) is 4.1 to 4.7 ohms (see illustration).
- c. Minor burning or pitting of the slip ring surfaces can be removed using a crocus cloth. Thoroughly wipe the slip rings clean after polishing, removing all grit and dust.
- d. Check for a grounded slip ring or rotor winding by measuring the resistance from each slip ring to the rotor body or pole finger (B). An open circuit should be indicated in both cases for a good rotor (see illustration).



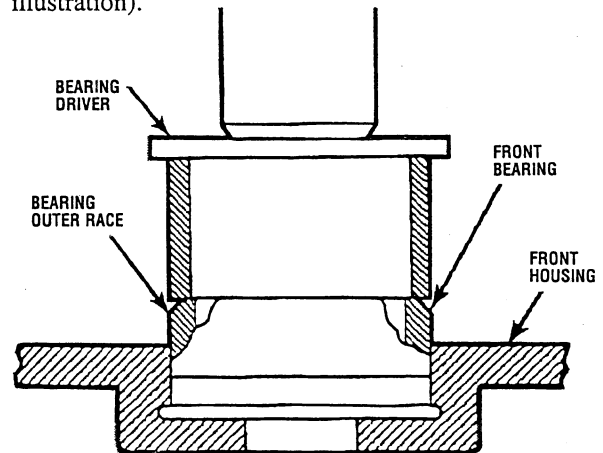
- e. If the windings are defective or physical damage cannot be corrected, replace the rotor assembly.
9. Use a commercial capacitor checker to test the capacitor for capacity, shorts, leakage, and series resistance.



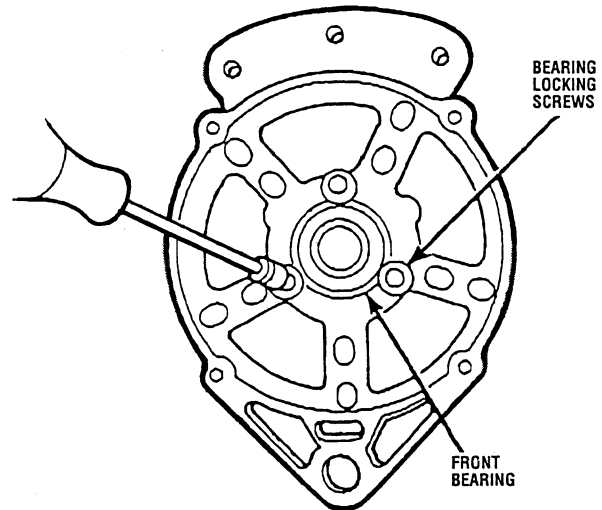
CAPACITOR

ASSEMBLE ALTERNATOR

1. Carefully press the front bearing into the front housing, pushing against the bearing's outer race using a bearing driver. Lock the bearing in place with screws (see illustration).



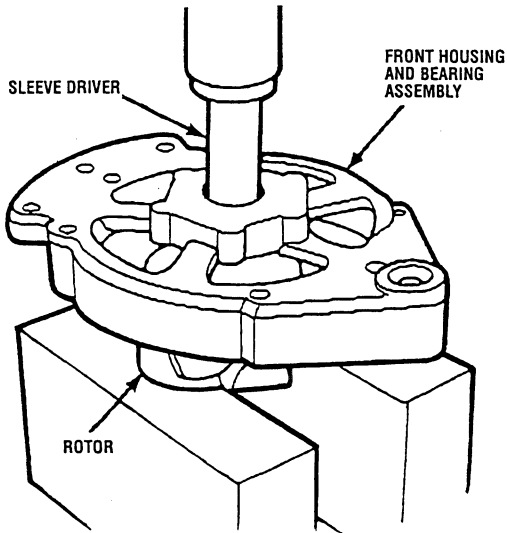
FRONT BEARING INSTALLATION



INSTALLING BEARING RETAINERS

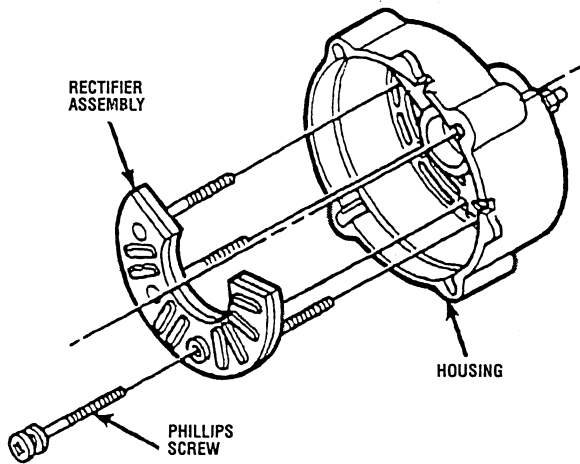
2. Place the rotor (pulley end up) on the bed of an arbor press, on two steel blocks.
3. Press the front housing and bearing assembly down onto the rotor shaft. Press against the bearing's inner race only, using a sleeve driver. Take care to insure that the rotor leads clear the steel blocks (see illustration).

MANDO ALTERNATOR SERVICE



INSTALLING FRONT HOUSING ON ROTOR ASSEMBLY

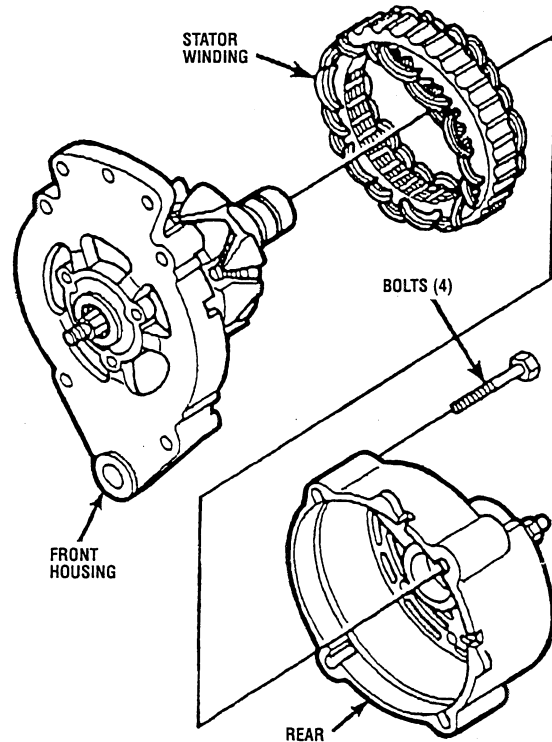
4. Install the rectifier assembly into the rear housing.
5. Insert the Phillips screw and tighten it (see illustration).



INSTALLING RECTIFIER ASSEMBLY

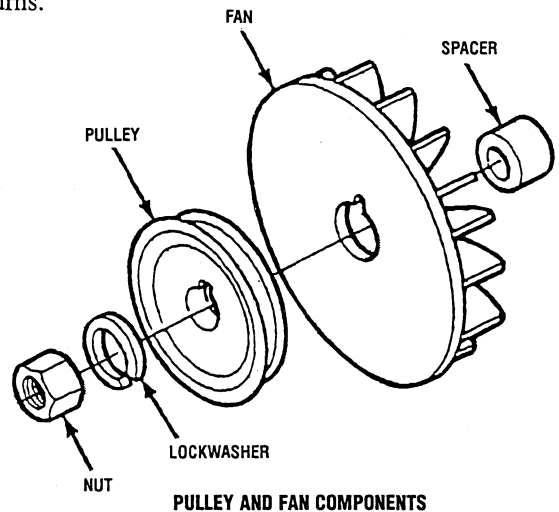
6. Assemble the front and rear housings as follows:
 - a. Put the stator winding in the front housing with the stator leads away from the front housing and the notches in the stator laminations aligned with the four through-bolt holes in the housing.
 - b. Align the scribe marks you made in the stator, and front and rear housings during disassembly.
 - c. Slip the rear housing into place over the rotor shaft. Align the mounting holes and put the stator leads through the holes at the top of the rear housing.
 - d. Install the four bolts and tighten them (see illustration).

NOTE: If the front housing is new, the through-bolt will not be tapped.



ASSEMBLING HOUSINGS

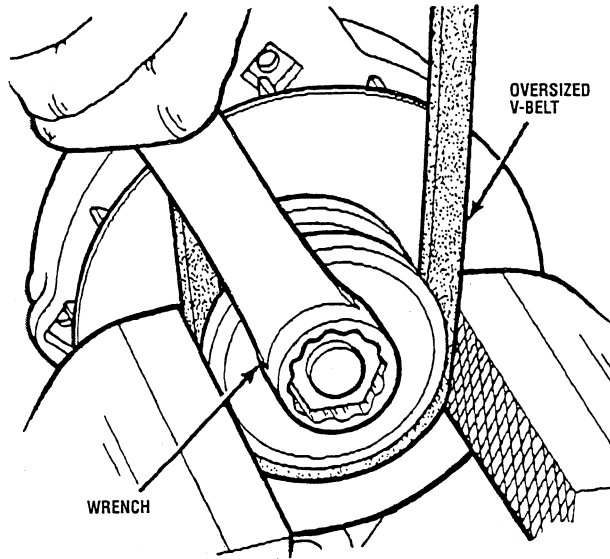
7. Install the spacer and the fan. Then push the pulley, lockwasher and nut onto the shaft. Turn the nut a few turns.



PULLEY AND FAN COMPONENTS

MANDO ALTERNATOR SERVICE

- Place an oversized V-belt around the pulley and fasten the pulley in a vise (see illustration).

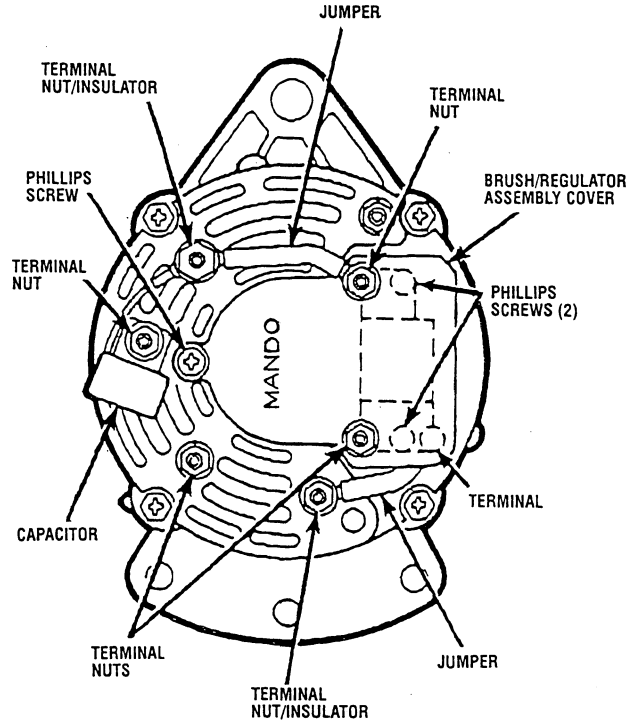


INSTALLING PULLEY AND FAN NUT

- Use a torque wrench to tighten the nut.
- Carefully install the brush/regulator assembly on the rear housing with the two mounting screws.
- Install the small terminal insulators.
- Install the large terminal insulator.
- Install the jumper.
- Install the nut on the terminal.
- Install the brush/regulator assembly cover.
- Install the Phillips screw for the brush/regulator assembly cover.
- Install the capacitor.
- Install the terminal nuts.
- Install the jumper.
- Install the last terminal nut.

INSTALL ALTERNATOR

- Install the alternator, screws and washers.
- Connect the wiring leads.
- Put the belt on the alternator, crankshaft and coolant pump pulleys.
- Adjust the alternator belt's tension (see *DRIVE BELT ADJUSTMENT* under *ENGINE ADJUSTMENTS*).



ALTERNATOR ASSEMBLY

MANDO ALTERNATOR SPECIFICATIONS

Battery Voltage	12 volt
Maximum Speed	13500 rpm
Cut In Speed	Max. 2000 rpm (at Exc.) Max. 1500 rpm (at L2)
Reg. Set Voltage	14.1 volts
Ambient Temperature	-20°C to 100°C
Ground	Negative

PRESTOLITE ALTERNATOR SERVICE

GENERAL

The charging system consists of an alternator with a mounted voltage regulator, an engine DC wiring harness, a mounted DC circuit breaker, and a battery and connection wires. Because of the use of integrated circuits (IC's) the electronic voltage regulator is very compact and is mounted internally or on the back of the alternator.

It is desirable to test the charging system (alternator and voltage regulator) in the boat using the wiring harness and electrical loads that are a permanent part of the system. In-boat testing will then provide the technician with an operational test of the charging system as well as the major components of the electrical system.

PRELIMINARY CHECKS AND TESTS

Before starting the actual alternator and voltage regulator test procedures, the charging system, batteries and wiring should be checked to eliminate possible problem areas. The following checks are recommended:

⚠ WARNING: *A failed alternator can become very hot. Do not touch until the alternator has cooled down.*

1. Make certain your alternator is securely mounted.
2. Check the drive belt for proper tension. Replace the belt if it is worn or glazed.
3. Check that all terminals, connectors and plugs are clean and tight. Loose or corroded connections cause high resistance and this could cause overcharging, undercharging or damage to the charging system. Badly corroded battery cables could prevent the battery from reaching a fully charged condition.
4. Check the condition of the battery and change if necessary. A low or discharged battery may cause false or misleading readings on the in-vessel tests.

NOTE: *An isolator with a diode, a solenoid, or a battery selector switch is usually mounted in the circuit to isolate the batteries so the starting battery is not discharged along with the house batteries. If the isolator is charging the starting battery but not the house battery, the alternator is OK and the problem is in the battery charging circuit.*

⚠ WARNING: *Shut off the engine battery switch or disconnect from the battery when working on the engine electrical system.*

Test Equipment Requirements

The alternator and regulator tests described in this section require electrical test equipment to measure voltage only; however, most commercial test equipment incorporates several testing devices in a single unit. The following test equipment will be necessary:

DC VOLTMETER: 0-20 volt scale

HYDROMETER: Any commercial type having a temperature correction scale.

Storage Battery

The starting battery circuit supplies a continuous, although variable, electrical load to the alternator. If the circuit, positive or negative, is opened or broken while the alternator is charging, the loss of the battery will result in the charging voltage rising to unsafe levels.

Battery Inspection

The following table illustrates typical ranges of specific gravity for a cell in various states of charge. *The battery must be at least 75% of full charge for effective alternator testing.*

1.260 SPECIFIC GRAVITY BATTERY	1.280 SPECIFIC GRAVITY BATTERY	CHARGE STATE
1.260 Specific Gravity	1.280 Specific Gravity	100% Charged
1.230 Specific Gravity	1.250 Specific Gravity	75% Charged
1.200 Specific Gravity	1.220 Specific Gravity	50% Charged
1.170 Specific Gravity	1.190 Specific Gravity	25% Charged
1.140 Specific Gravity	1.160 Specific Gravity	Very Low Capacity
1.110 Specific Gravity	1.130 Specific Gravity	Discharged

After completing these preliminary checks and tests, proceed with the tests as outlined in the *TROUBLESHOOTING GUIDE*.

Checking for Proper Voltage

If you suspect the alternator has failed, perform the following tests with the engine off:

1. Using a voltmeter, connect the voltmeter red wire clip to the output terminal B+.
2. Connect the voltmeter negative wire to any ground on the engine.
3. Check the battery voltage. It should read 12 to 13 volts.
4. Check the voltage between the alternator (+) positive terminal B and any engine ground. If the circuit is good, the voltage at the alternator should be the same as the battery (unless there's an isolator in the circuit, then the reading would be zero).

⚠ CAUTION: *To avoid damage to the battery charging circuit, never shut off the engine battery switch when the engine is running!*

⚠ WARNING: *Before starting the engine make certain that everyone is clear of moving parts! Keep away from sheaves and belts during test procedures.*

5. Start the engine.

PRESTOLITE ALTERNATOR SERVICE

- The voltage reading for a properly operating alternator should be between 13.5 and 14.5 volts. If your alternator is over- or undercharging, have it repaired at a reliable service shop.

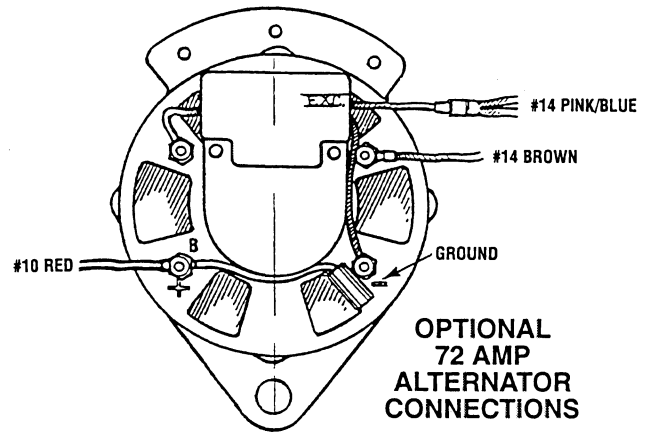
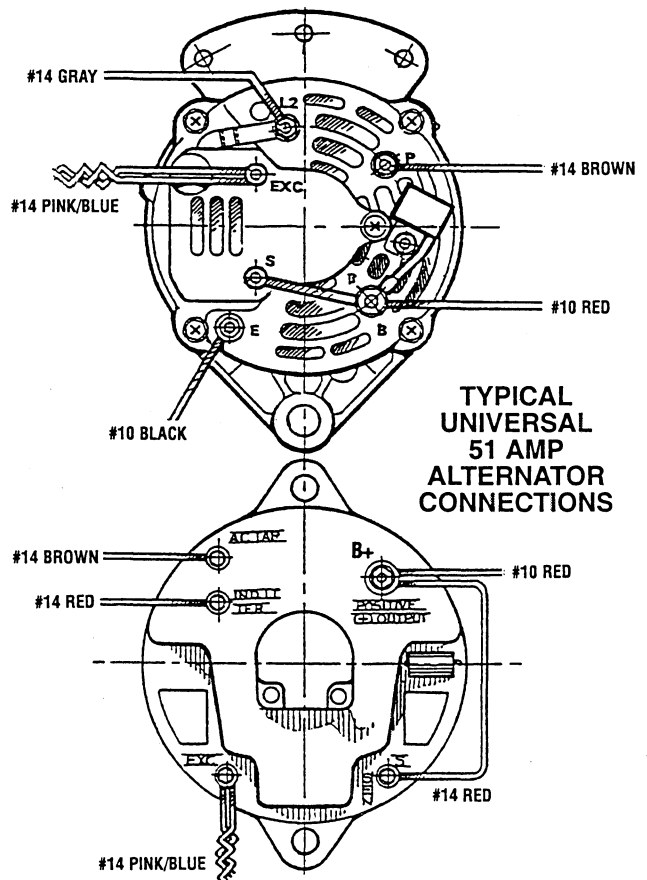
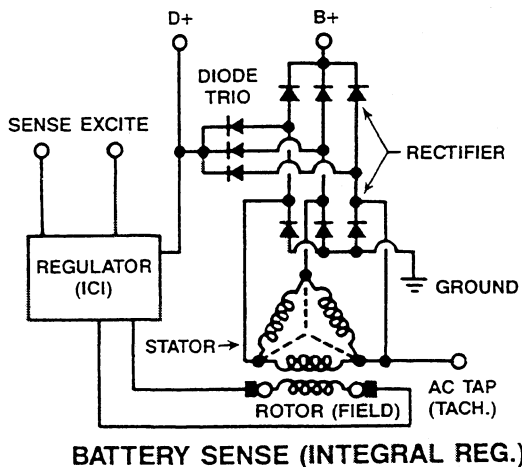
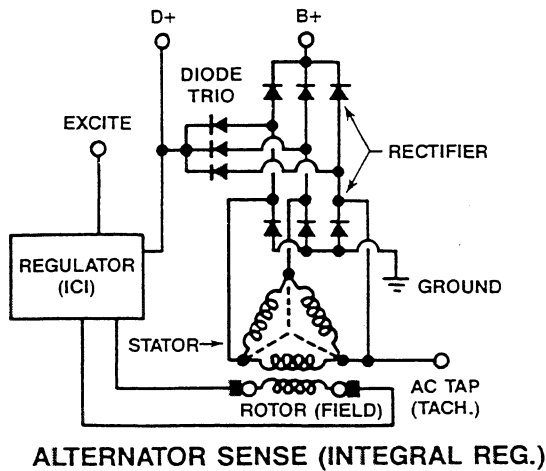
NOTE: Before removing the alternator for repair, use your voltmeter to ensure that 12 volts DC excitation is present at the R terminal if the previous test showed only battery voltage at the B output terminal.

ALTERNATOR DESCRIPTION

The stator is connected to a three-phase, full-wave bridge rectifier package which contains six diodes. The bridge converts the AC generated in the stator to a DC output for battery charging and accessories such as radio, heater, lights, refrigerator, depth sounder, etc. See the illustrations below.

Power to the regulator and the field of the integral regulator alternator is provided by the field diode (or diode trio) package contained in the alternator.

The alternator designs produce a rated output of 51 amperes. Rated output is achieved at approximately 6000 alternator rpm at an ambient temperature of 75°F (23.8°C). The alternator is designed to operate in an ambient temperature range of -40° to 212°F (-40° to 100°C). To ensure proper cooling of the rectifier bridge and internal components of the alternator, it must be used with the proper cooling fan.



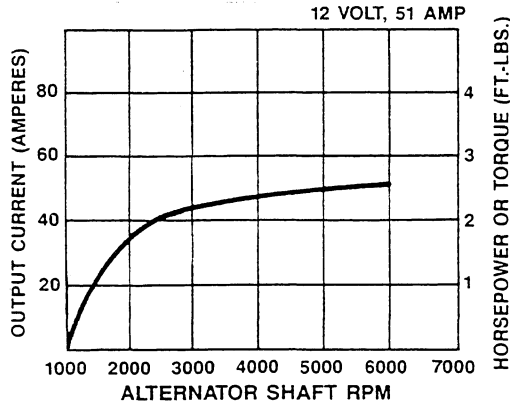
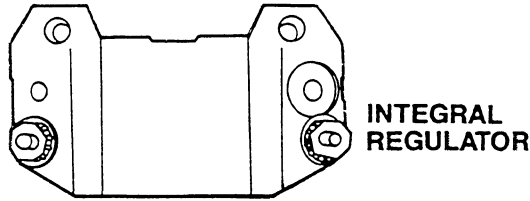
VOLTAGE REGULATOR

The integral voltage regulator is an electronic switching device which senses the system voltage level and switches the voltage applied to the field in order to maintain a proper system voltage.

The regulator design utilizes all-silicon semi conductors and thick-film assembly techniques. After the voltage has been adjusted to the proper regulating value, the entire circuit is encapsulated to protect the circuit and the components from possible damage due to handling or vibration and moisture encountered in a vessel.

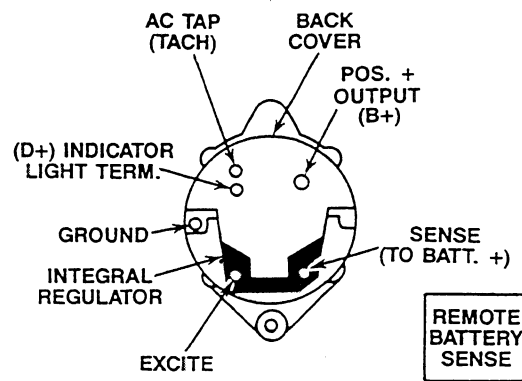
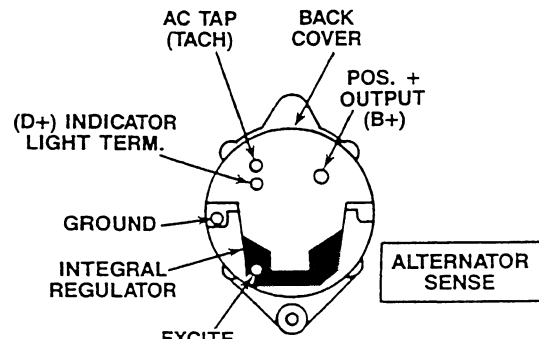
PRESTOLITE ALTERNATOR SERVICE

The voltage regulator is also temperature compensated to provide a slightly higher voltage at low temperatures and a lower voltage at higher temperatures, to provide for the charging requirements of the battery under these conditions.



TYPICAL PERFORMANCE CURVE
@ AMBIENT TEMPERATURE OF 75°F
(23.8°C) SAE TEST METHOD

TESTING PROCEDURE



ALTERNATOR TERMINAL IDENTIFICATION

TROUBLESHOOTING GUIDE

PROBLEM	PROBABLE CAUSE	CORRECTIVE ACTION
A. Battery undercharged. — Ammeter (if used) indicates constant discharge. — Indicator lamp remains on.	1. Defective cables, dirty battery posts, corroded terminals, etc. 2. Loose or broken belt. 3. Worn or broken brushes. 4. Defective alternator system.	1. Check, clean, repair or replace as needed. 2. Check belt. 3. Replace brush assembly. 4. Refer to <i>LOCATING THE PROBLEM</i> section.
B. Battery undercharged. — Indicator lamp off with key on and engine stopped. (Normal condition is lamp on.)	1. Indicator lamp burned out or defective wire harness. 2. Broken brush. 3. Defective alternator system.	1. Check bulb and harness. 2. Replace brush assembly. 3. Refer to <i>LOCATING THE PROBLEM</i> section.
C. Battery overcharges. — Excessive use of water. — Ammeter (if used) shows constant excessive charge. — Voltmeter indicates greater than 14.5 volts (connected across battery with no load) with engine idling.	1. Defective wire harness. 2. Defective alternator system. 3. Poor ground. 4. Broken sense lead (remote battery sense only).	1. Refer to <i>LOCATING THE PROBLEM</i> . 2. Refer to <i>LOCATING THE PROBLEM</i> . 3. Check ground. 4. Check, clean, repair or replace as needed.
D. Battery charges at idle, but discharges under load conditions.	1. Slipping belt. 2. Alternator defective.	1. Check belt and adjust tension or replace as necessary. 2. Disassemble, check diodes.
E. Indicator lamp glows slightly under moderate load; battery appears charged.	1. Defective diode-trio.	1. Remove and replace.

PRESTOLITE ALTERNATOR SERVICE

LOCATING THE PROBLEM

NOTE: The engine must be idling for all tests unless otherwise specified.

A. BATTERY UNDERCHARGED

1. Remove battery sense only.
 - a. Perform the Harness Voltage Test (Test No. 3).
2. Indicator lamp on.
 - a. Perform the Open Diode-Trio Test (Test No. 1).
3. Indicator lamp off (ignition on, and engine stopped).
 - a. Perform Regulator Test (Test No. 2).
 - b. If the regulator is OK, the cause is probably an open field circuit, and the alternator must be removed for repair.
4. Further investigation requires alternator removal and repair (diodes).

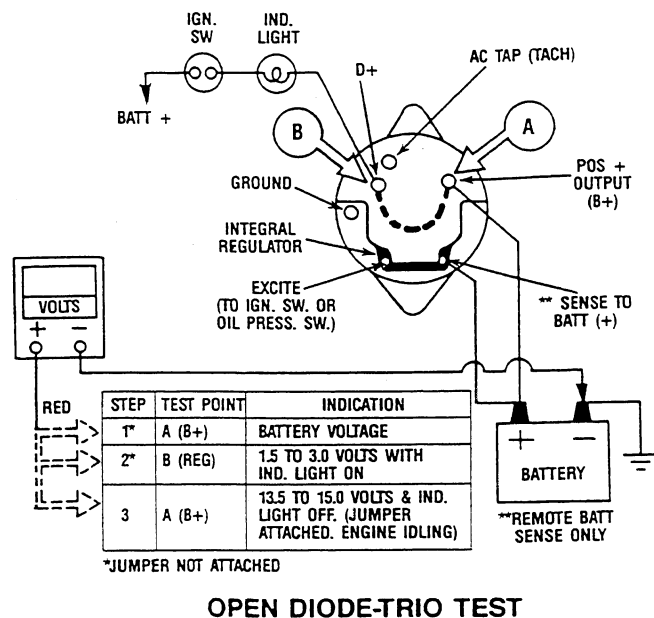
B. BATTERY OVERCHARGED

1. Regulator shorted; replace regulator.

Alternator/Regulator Tests

Test No. 1—Open Diode-Trio Test

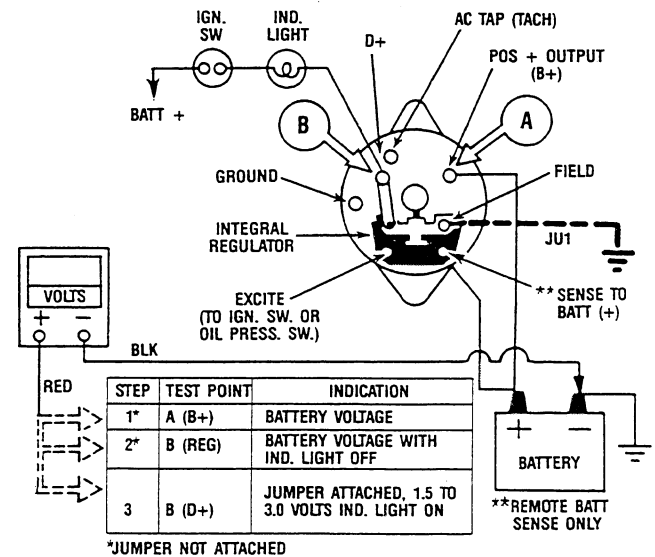
With the ignition on and the engine not running and the jumper not attached (no electrical load), check for battery voltage at terminal A and for 1.5 to 3.0 volts at terminal B. Add jumper JU1 between terminals A and B. Start the engine and run at idle. If the indicator lamp now goes off and charging voltage is present at terminal A, the diode-trio is probably "open" (defective) and the alternator should be removed for repair.



Test No. 2—Open Regulator Test

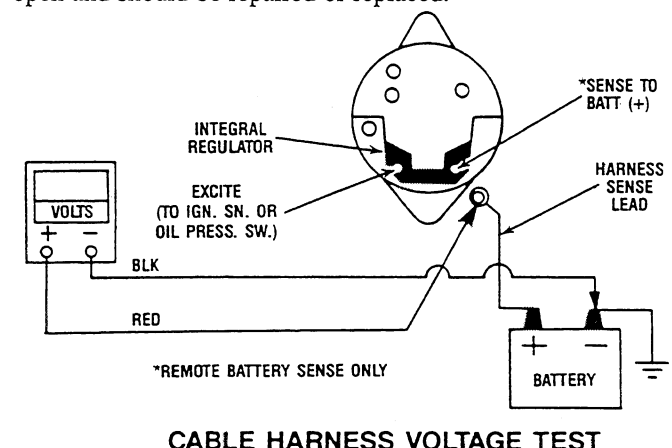
NOTE: This test requires the removal of the back cover of the alternator. To remove, disconnect the wires from the terminals extending through the back cover. Remove the back cover (two screws) and reconnect all wires.

With the ignition on and the engine not running and the jumper not attached, check for battery voltage at terminal A and terminal B. The indicator light will be off. Add jumper JU1 between the field and ground. If 1.5 to 3.0 volts is present at terminal B and the indicator light is on, an open (defective) regulator is indicated. If the lamp is still not on, an open field circuit (brushes, slip-rings, etc.) is indicated and alternator repair is required.



Test No. 3—Harness Voltage Test (remove battery sense only)

Remove the harness sense lead from the sense terminal and connect the voltmeter leads as shown in the illustration. The voltmeter should indicate the battery voltage (approx. 12.6 volts for a fully charged battery with the ignition key off). If the voltage is zero, the harness "sense" lead is open and should be repaired or replaced.

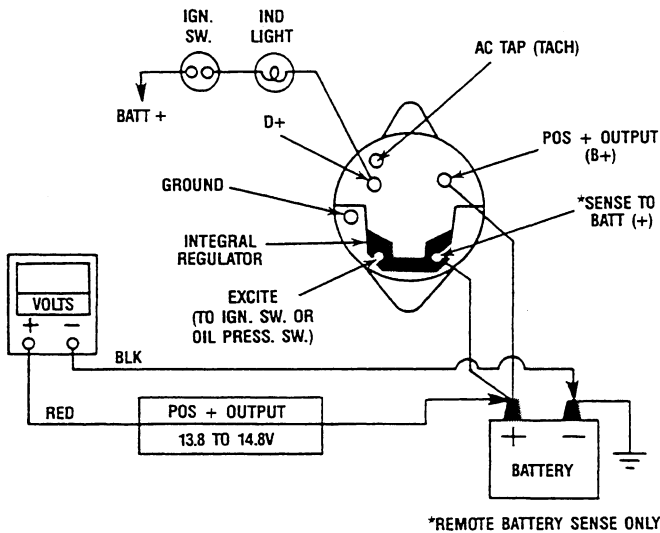


PRESTOLITE ALTERNATOR SERVICE

Test No. 4—Alternator Output Test

After the voltmeter is connected as shown in the illustration, start and run the engine at a fast idle of approximately 1,500 rpm. Check for a nominal system output voltage of between 13.8-14.8 volts for a properly operating charging system. (Voltages may vary a few tenths of a volt (higher or lower) due to ambient temperature variations).

If the alternator output voltage does not fall within the proper range, the alternator should be disassembled for further inspection and tests.



ALTERNATOR OUTPUT TEST

ALTERNATOR REPAIR PROCEDURE

The following instructions provide a general overall procedure for the complete disassembly of an alternator. However, it should be pointed out that following the complete procedure whenever a repair is necessary will seldom, if ever, be required. In cases where the causes of the malfunction are known, it will only be necessary to follow that portion of the procedure directly related to resolving the problem. Similarly, when the reasons for the malfunction are uncertain, it will be necessary to follow the procedure in greater depth in order to isolate and correct the problem.

The following troubleshooting diagram should help identify some of the more common problems encountered during the overhaul/repair procedure.

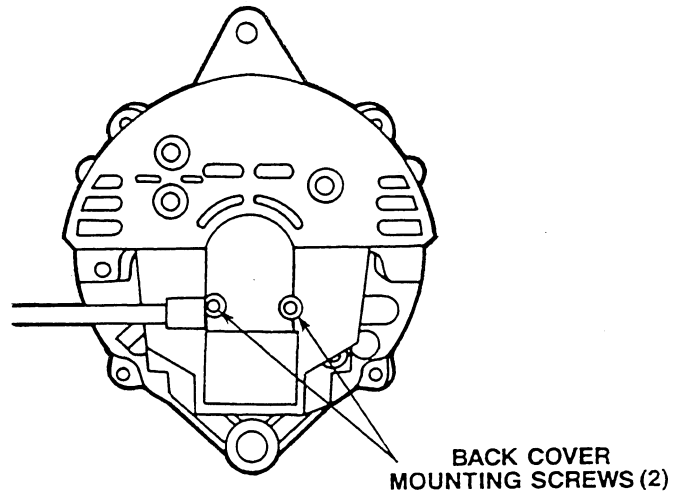
NO ALTERNATOR OUTPUT	LOW ALTERNATOR OUTPUT	"NOISY" ALTERNATOR
↓	↓	↓
DEFECTIVE REGULATOR	DEFECTIVE REGULATOR	LOOSE DRIVE PULLEY
↓	↓	↓
DEFECTIVE BRUSHES	WORN BRUSHES	CRACKED OR DAMAGED HOUSING
↓	↓	↓
OPEN FIELD DIODE	GROUNDING/SHORTED ROTOR WINDINGS	WORN BEARINGS
↓	↓	↓
OPEN ROTOR	GROUNDING/SHORTED STATOR WINDINGS	SHORTED RECTIFIER DIODE
	↓	↓
	SHORTED/OPEN RECTIFIER DIODE	SHORTED OR GROUNDING STATOR WINDINGS

ALTERNATOR TROUBLESHOOTING DIAGRAM

ALTERNATOR DISASSEMBLY & TESTING

1. Detach the back cover:

Remove the nuts from the terminals. Remove the two screws that secure the back cover to the rear housing.

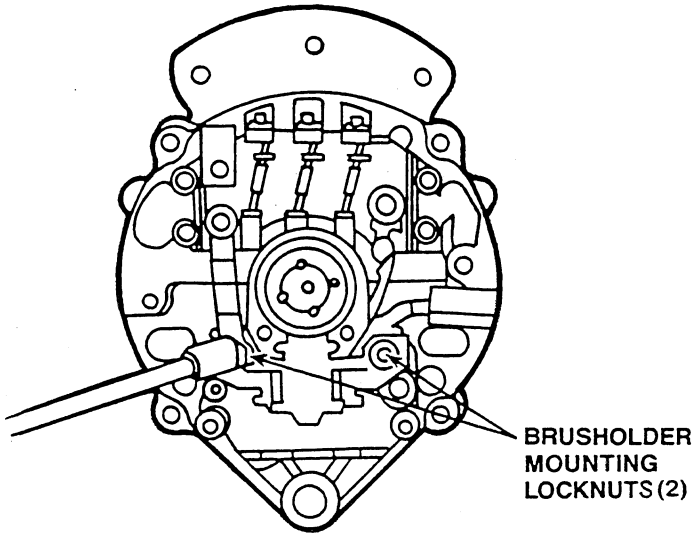


REMOVING BACK COVER

PRESTOLITE ALTERNATOR SERVICE

2. Remove the brush holder:

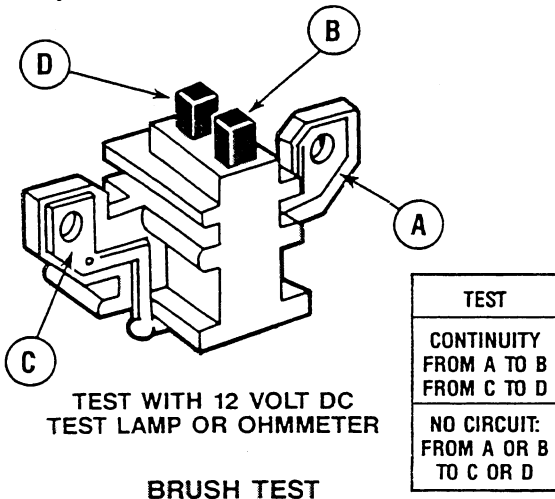
Remove the two locknuts securing the brush holder. Pull out the brush holder (see illustration).



REMOVING BRUSH HOLDER

3. Inspect and test the brush assembly:

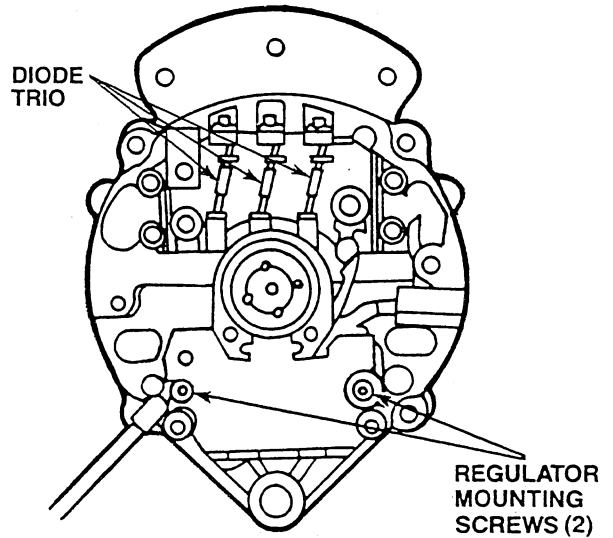
The illustration below shows the terminal's brush arrangement and testing procedure. The original brush set may be reused if the brushes are 3/16 in. (5 mm) or longer, and if the brushes are not oil soaked, cracked or show evidence of grooves on the sides of the brushes caused by vibration.



BRUSH TEST

4. Remove the integral voltage regulator:

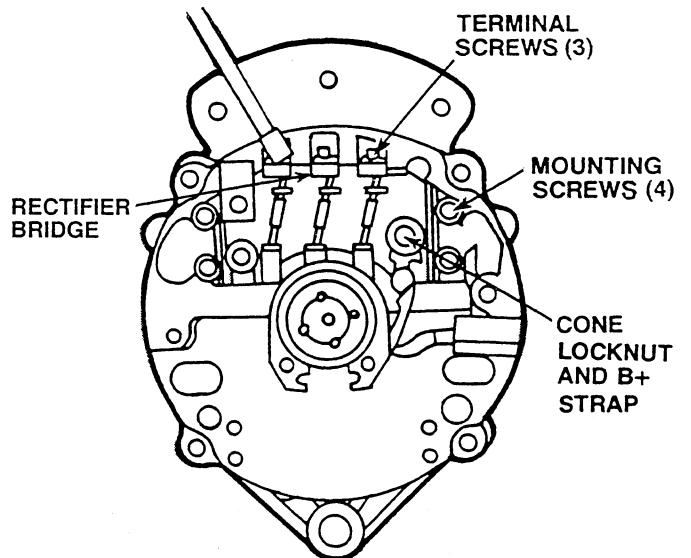
Remove the two screws securing the integral voltage regulator to the rear housing.



REMOVING VOLTAGE REGULATOR

5. Remove the diode-trio (field diode) and rectifier diode bridge:

The diode-trio and rectifier diode bridge are detached as an assembly. Remove the cone lockout from the positive output (B+) terminal. Straighten the B+ strap. Remove the three terminal screws and the four diode-trio mounting screws. Detach the assembly from the rear housing and separate the diode-trio assembly from the rectifier bridge (see illustration).

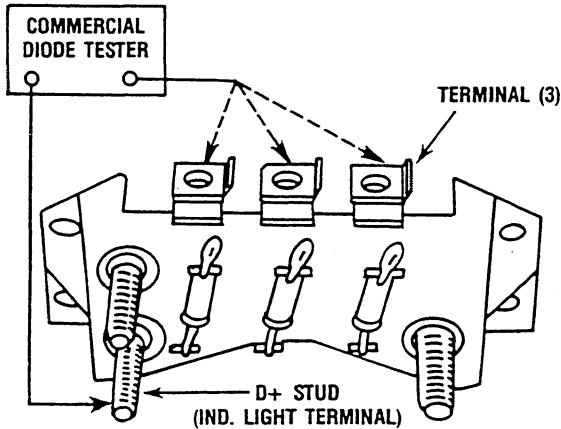


REMOVING DIODE-TRIO AND RECTIFIER DIODE BRIDGE

PRESTOLITE ALTERNATOR SERVICE

6. Test the diode-trio assembly:

Using a commercial diode tester or 12 volt DC test lamp, check for continuity from each terminal separately to the D+ stud; continuity should be observed in one direction (polarity) only, and all diodes should check alike. If any diode is defective, replace the entire diode trio assembly. See illustration.

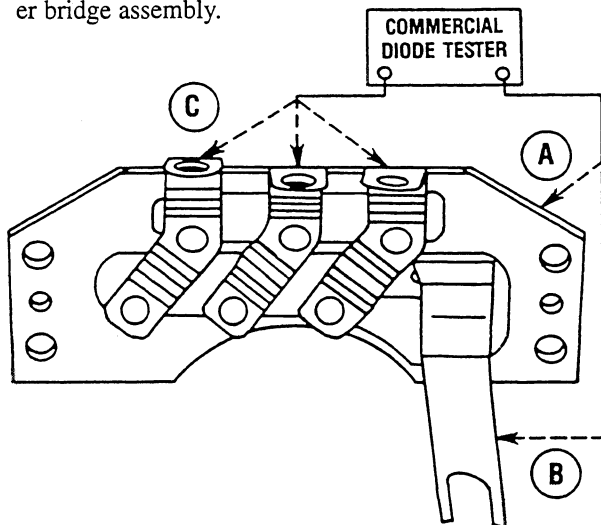


TESTING DIODE-TRIO

7. Test the diode rectifier bridge assembly:

Using a commercial diode tester, check for continuity. Check between point A and each of the three terminals C for negative diodes. Continuity should be observed in one direction (polarity) only, and all diodes should check alike. Then check between point B (B+ strap) and each of three terminals C for positive diodes. Continuity should be observed in one direction only, and all diodes should check alike (see illustration).

If any diode is defective, replace the entire diode rectifier bridge assembly.



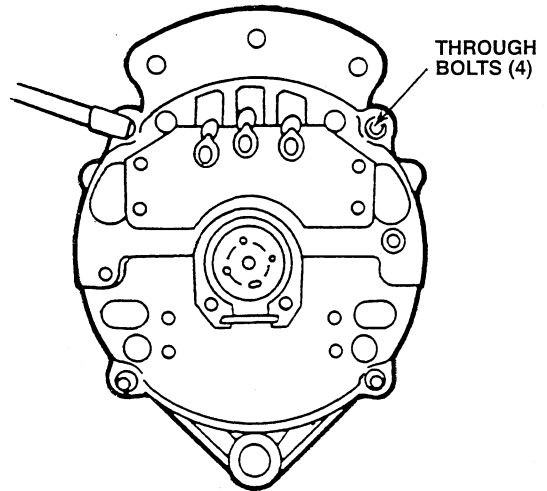
TESTING RECTIFIER BRIDGE

8. Separate the stator/rear housing assembly from the front housing:

Remove the four thru-bolts (see illustration).

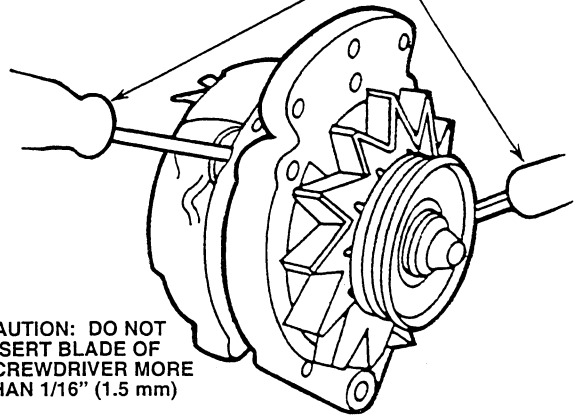
Carefully insert two screwdriver blades in opposite openings between the stator and the front housing as shown in the illustration. Pry the units apart.

CAUTION: Do not insert the screwdriver blades deeper than 1/16 in. (1.5 mm) to avoid damaging the stator winding.



THRU-BOLT REMOVAL

SCREWDRIVER BLADES AT OPPOSITE OPENINGS



CAUTION: DO NOT INSERT BLADE OF SCREWDRIVER MORE THAN 1/16" (1.5 mm)

STATOR-REAR HOUSING SEPARATION

9. Inspect the rear housing:

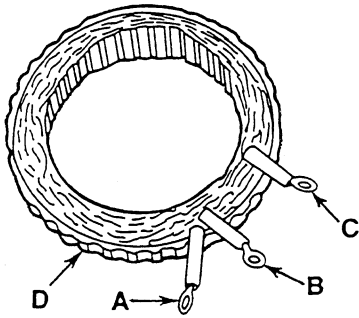
Inspect the rear housing for a cracked or broken casting, stripped threads or evidence of severe wear in the bearing bore due to a worn rear bearing.

If the casting is to be reused, clean it in solvent, dry with compressed air, and install a new rear bearing retainer if the retainer is damaged.

PRESTOLITE ALTERNATOR SERVICE

10. Test the stator:

The stator assembly consists of three individual windings terminated in the delta type connections. Using an ohmmeter or a test lamp, check for winding continuity between terminals A, B and C. There should be no continuity from any terminal to point D (laminations). Also, stators showing any signs of winding discoloration should be discarded (see illustration).



STATOR WINDING TESTS

11. Remove the pulley, fan and spacer:

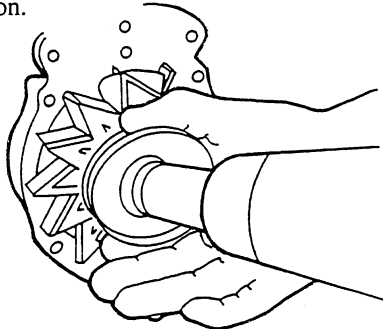
The pulley is a slip-fit on the rotor shaft, positioned with a woodruff key. Remove the nut and lockwasher from the shaft using an impact wrench or other suitable tool.

After the nut and lockwasher are removed, the alternator can be separated from the pulley.

The fan will slide over the key. The key may be removed with diagonal pliers, or with a screwdriver.

Inspect the fan for cracked or broken fins, and note the condition of the mounting hole. If it is worn from running loose, replace the fan to insure balance.

Inspect the pulley for possible faults as shown in the illustration.



PULLEY REMOVAL

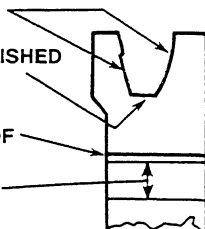
CHECK FOR WORN DRIVE SURFACES.

CHECK FOR POLISHED SURFACE HERE.

NOTE CONDITION OF KEY GROOVE.

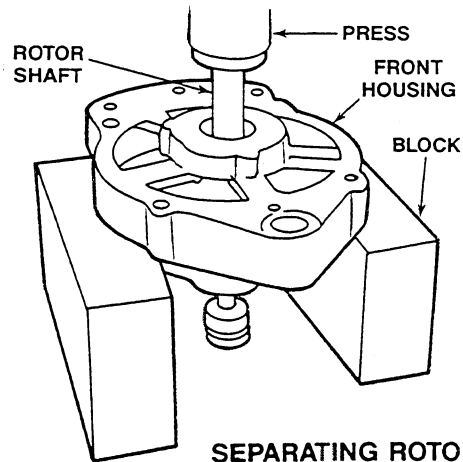
CHECK BORE FOR WEAR.

PULLEY INSPECTION POINTS



12. Separate the rotor from the front housing:

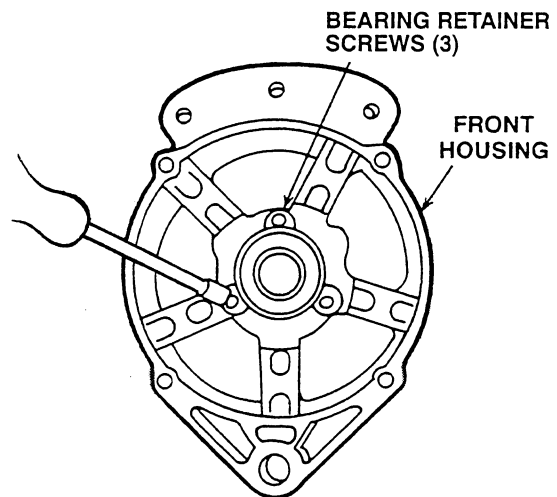
Position the front housing on support blocks placed on an arbor press. Push the rotor assembly from the housing (see illustration).



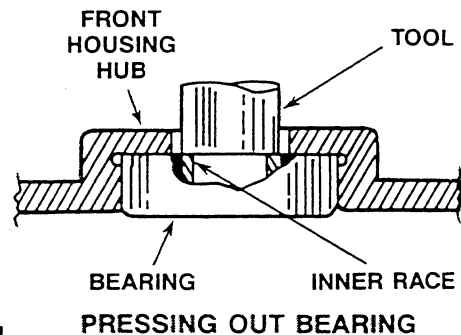
SEPARATING ROTOR FROM FRONT HOUSING

13. Remove the front bearing from the housing:

Remove the three bearing retainer screws. Position the housing on support blocks placed on an arbor press. Using a tool that contacts the inner race of the bearing, press out the front bearing (see illustrations).



REMOVING RETAINER SCREWS



PRESSING OUT BEARING

PRESTOLITE ALTERNATOR SERVICE

14. Inspect the front housing:

Check the housing for cracks. Check the condition of the threads in the adjusting ear. Check the bore in the mounting foot. Discard the housing if the bore shows signs of elongation (oval or out-of-roundness).

15. Rotor inspection & electrical testing:

Check the rotor assembly for the following electrical properties (see illustration).

A. Current draw or resistance of the winding.

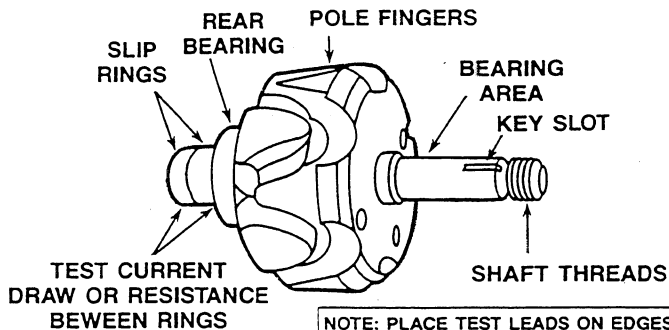
CAUTION: Turn off the DC power source before removing the test leads to avoid arc damage to the slip ring surfaces.

1. Current Draw in amperes, at 70°–80°F (21°–27°C):

12 Volt Models, Rated At:	Correct Current Draw @ 15.0 V:
51 Amperes	3.2–3.6 Amperes

2. Resistance of winding in Ohms, at 70°–80°F (21°–27°C):

12 Volt Models, Rated At:	Correct Winding Resistance:
51 Amperes	4.1–4.7 Ohm



NOTE: PLACE TEST LEADS ON EDGES OF SLIP RINGS TO AVOID CREATING ARCS ON BRUSH CONTACT SURFACES.

ROTOR INSPECTION AND ELECTRICAL TESTING

B. Grounded slip ring or winding.

Use a 12 volt DC test lamp, ohmmeter, or 110V AC test lamp. Place one test lead to the rotor body and the other on either slip ring. An open circuit from either slip ring to the rotor body is a correct condition.

C. Condition of the slip rings.

1. Clean the brush contacting surfaces with a fine crocus cloth; wipe the dust and residue away.
2. If surfaces are worn beyond this restoration, replace the entire rotor assembly.

D. Rotor shaft and pole pieces.

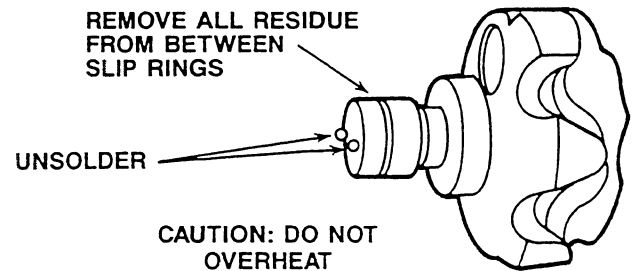
1. Stripped threads on shaft.
2. Worn key slot.
3. Worn bearing surface.
4. Scuffed pole fingers.
5. Worn or dry rear bearing.

Replace the rotor assembly if any of the above faults are noted, with the exception of item D, 5.

NOTE: New rotors include a new rear bearing and new slip rings as part of the assembly. If the rear bearing requires replacement, follow the instructions for this operation.

16. Remove the slip rings from the rotor assembly:

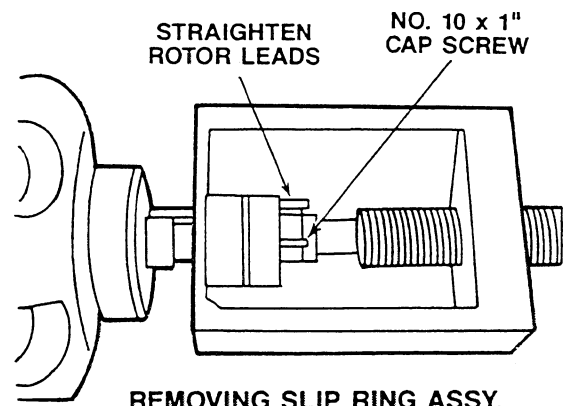
Unsolder the rotor leads from the slip ring terminals. Carefully unwind the ends of the rotor coil leads from the slip ring terminals, as shown in the illustration.



UNSOLDER ROTOR LEADS FROM SLIP RINGS

Straighten the rotor leads. Insert a No. 10 x 1" cap screw into the opening at the center of the slip ring assembly. Position the bearing puller as shown in the illustration and pull the slip ring assembly off the rotor shaft.

CAUTION: When holding the rear end of the rotor shaft in a vise, be sure not to grip the bearing area of the rotor shaft.



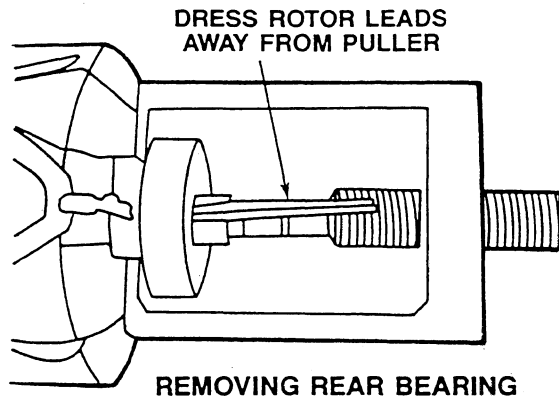
REMOVING SLIP RING ASSY.

PRESTOLITE ALTERNATOR SERVICE

17. Remove the rear bearing from the rotor:

Dress the rotor leads away from the bearing puller contact area. Adjust the puller to contact the inner bearing race, then carefully remove the bearing from the shaft (see illustration).

This completes the disassembly of the alternator.

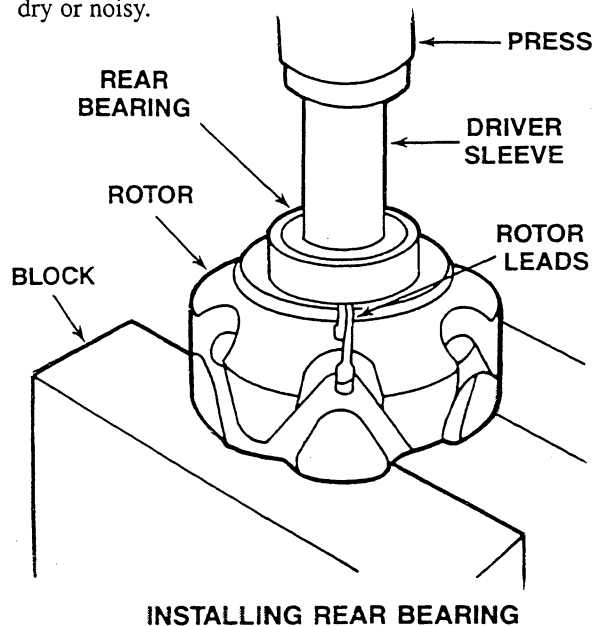


ALTERNATOR REASSEMBLY

The reassembly sequence, generally, is the reverse of the order of disassembly, therefore, only information pertaining to special reassembly requirements will be covered in this section.

1. Install the rear bearing:

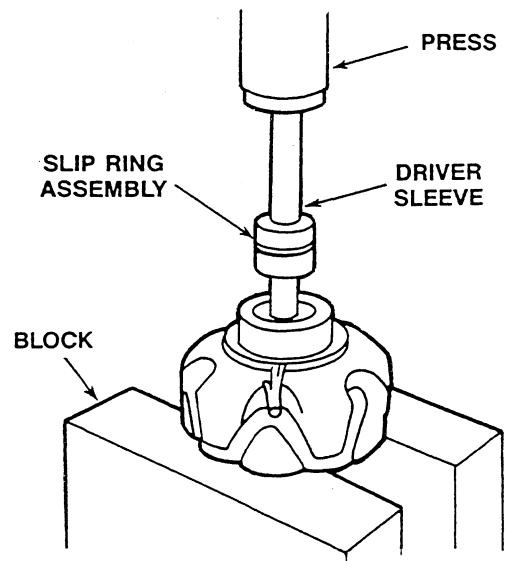
Place the rotor on a press as shown in the illustration. Choose a driver sleeve that exerts pressure on the inner race only, and press the bearing onto the rotor shaft until it contacts the shoulder. New replacement bearings should be used whenever the bearing is removed during repair procedures or when the bearing is rough, dry or noisy.



2. Install the slip ring assembly:

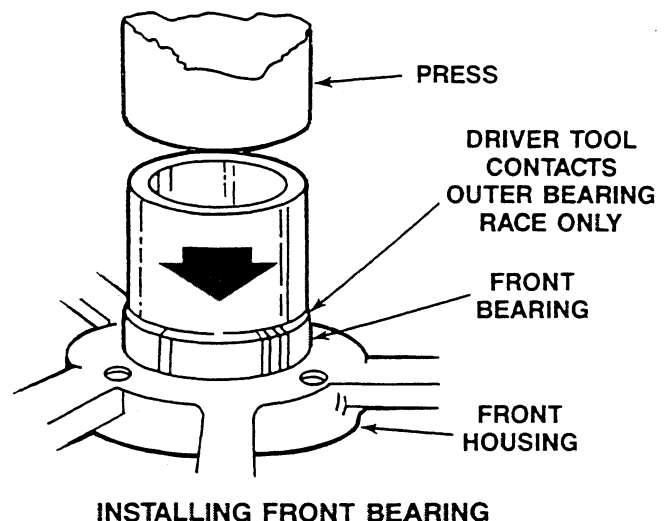
Guide the rotor leads through one of the oval passages in the slip ring assembly. Be sure the oval passage is in line with the groove in the rotor shaft. Place the rotor on a press as shown in the illustration. Choose a driver sleeve having a diameter that clears the leads.

Press the slip ring assembly onto the shaft. Solder the rotor leads to the leads on the slip ring. Trim excess slip ring leads extending above the solder connections.



3. Install the front bearing:

Place the front bearing and housing in an arbor press as shown in the illustration. Select a drive tool to contact the outer race only, and press the bearing into the housing bore. Bearing replacement is recommended whenever a bearing is removed during alternator repair procedures or when the bearing is rough, dry or noisy. Install three bearing retainer screws. Torque to 25–30 ft-lbs (33.9–40.7 Nm).

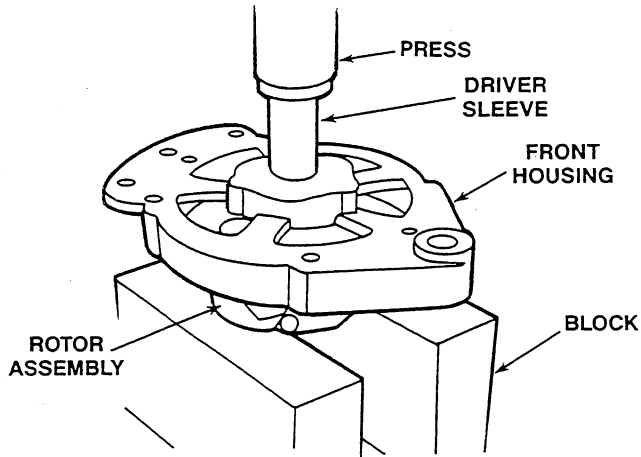


PRESTOLITE ALTERNATOR SERVICE

4. Assemble the rotor and front housing:

Place the rotor on the bed of an arbor press using two steel blocks for support, as shown in the illustration. Place the front housing over the shaft. Using a driver sleeve that contacts the inner bearing race only, press the front housing down until the inner bearing race contacts the shoulder on the shaft.

CAUTION: Be sure the rotor leads clear the blocks.



ASSEMBLING FRONT HOUSING TO ROTOR

5. Assemble the spacer, fan and pulley:

Place the pulley spacer over the shaft. Install the woodruff key. Install the fan. Install the pulley, lock washer and nut. Mount the pulley as shown in the illustration and tighten to 35–50 ft-lbs (47.5–67.8 Nm).

Spin the rotor by hand to test the freedom of the bearing.

6. Assemble the front and rear housings:

Place the stator into the front housing with the stator leads at the top and the notches in the laminations aligned with the bolt holes. Position the rear housing over the slip rings with the housing bolt holes aligned and the stator leads extending through the openings at the top of the rear housing.

Install the through-bolts and tighten them evenly to 50–60 in-lbs (5.7–6.8 Nm). Spin the rotor by hand to test the freedom of the bearings.

NOTE: New front housings contain through-bolt holes that are not tapped. Therefore, a socket wrench rather than a nut driver will be required to supply sufficient torque to drive the “thread forming” through-bolts.

7. Install the diode rectifier bridge and diode trio:

Insert the B+ strap through the slot in the diode trio body. Bend the strap over the B+ terminal and secure it with a cone locknut. Apply a thin film of heat sink

compound to the back of the diode rectifier bridge and to the mating area on the rear housing.

Install the assembly to the rear housing (four screws). Place the strap (AC tap) in position and connect the stator leads (three screws).

Install the capacitor (where applicable).

8. Install the integral regulator:

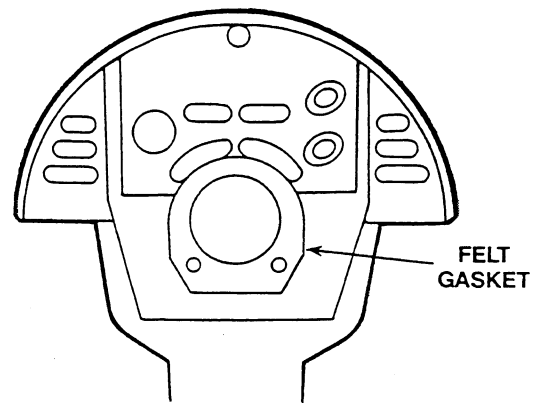
Install the brush mounting screws (two) through the openings in the regulator body. Secure the regulator to the rear housing (two screws).

9. Install the brush assembly:

Insert the brush holder into the grooves in the hub of the rear housing. Place the D+ strap (or male terminal where applicable) on the stud and secure the brush holder with locknuts (two places). Secure the other end of the D+ strap.

10. Install the rear cover:

Be sure the felt gasket is in place (see illustration). Position the rear cover on the rear housing and secure it with two screws.



INSTALLING REAR COVER

ALTERNATOR PERFORMANCE TESTS

The following tests will determine the current producing capability of the repaired alternator. Mount the alternator in a test fixture capable of providing 5000 alternator rpm. Select the required battery voltage and circuit polarity.

Turn the drive motor on, and adjust to obtain 5000 alternator rpm. Slowly reduce the field rheostat resistance; the alternator should develop a charge. Continue to reduce resistance until the alternator reaches its rated current output in amperes. **CAUTION:** Limit the output voltage to 15V maximum. **DO NOT** operate the alternator for more than a few minutes in this manner, due to the lack of voltage control. If the alternator will deliver its rated output, end the test.

Connect the fixture leads and instruments to the alternator terminals as shown in the following *TYPICAL ALTERNATOR PERFORMANCE TEST* diagram.

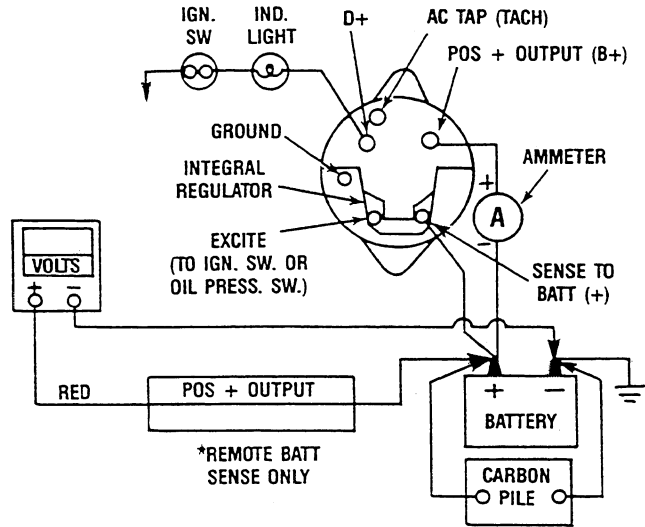
PRESTOLITE ALTERNATOR SERVICE

The carbon pile or resistive load bank and ammeter must be capable of handling the alternator's rated output at rated rpm.

CAUTION: Make sure the connections are well secured and tight to avoid possible damage to the instruments, alternator or wiring due to short circuits.

Starting with the carbon pile off, slowly increase the load while observing the ammeter and maintaining 5000 rpm. Increase the load until a minimum output voltage of approximately 13.7 volts is obtained. Record the output current at this point, and refer to the chart for minimum acceptable ratings.

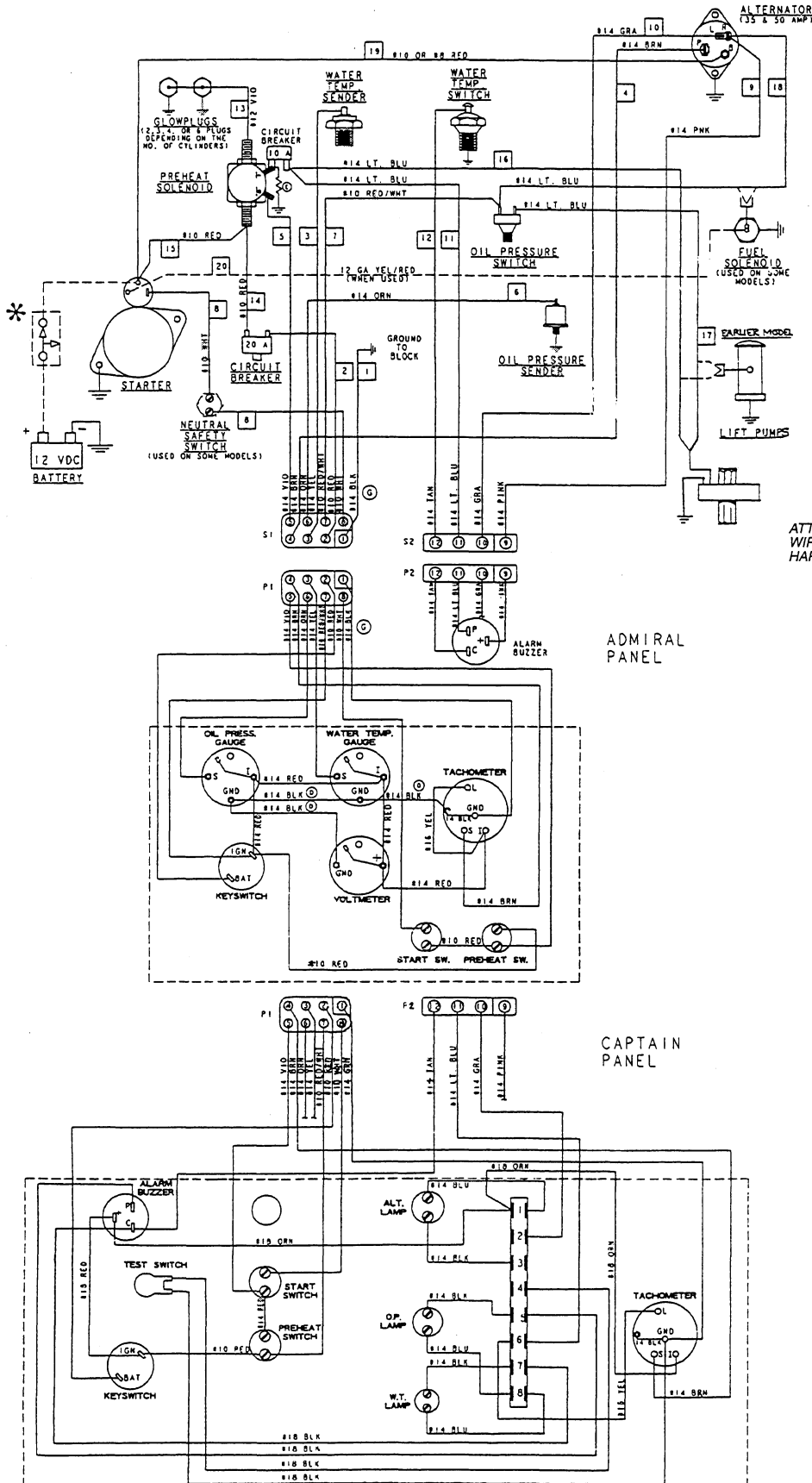
MINIMUM ACCEPTABLE OUTPUT VALUES AT 70° - 80°F (21° - 27° C)	
RATING	OUTPUT
51 AMP	46 AMP



TYPICAL ALTERNATOR PERFORMANCE TEST

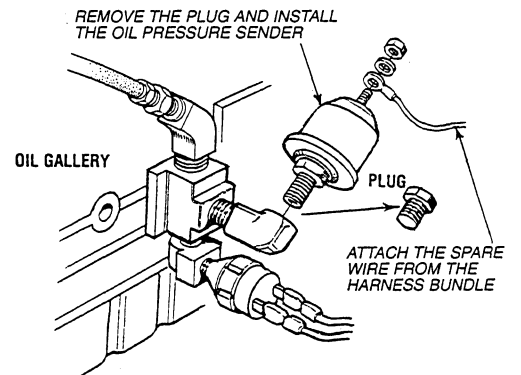
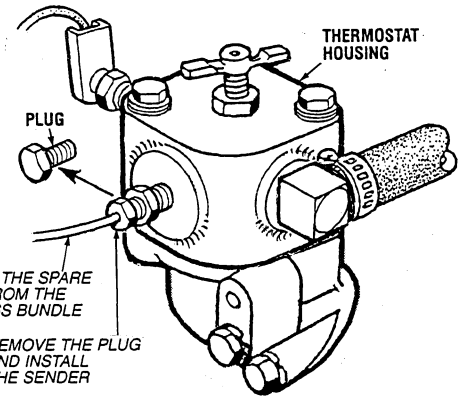
DC ELECTRICAL SYSTEM

WIRING DIAGRAM #39144



These diagrams illustrate the 12 volt negative ground electrical circuit. The two optional instrument panels, the CAPTAIN PANEL and the ADMIRAL PANEL are diagramed below.

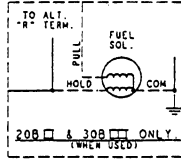
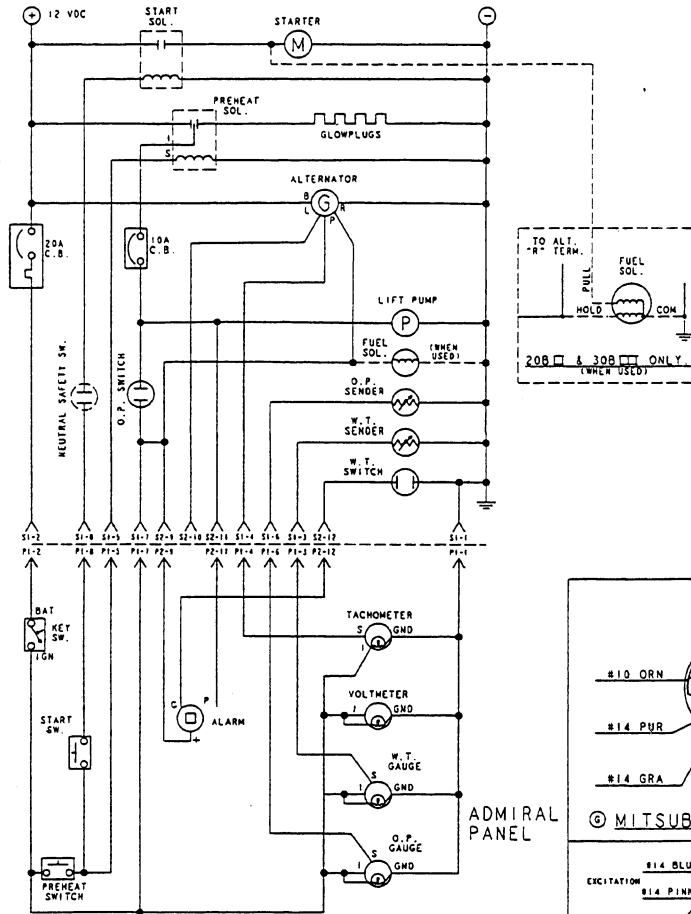
When an ADMIRAL PANEL is installed, two additional instrument senders are assembled to the engine to provide data for the panel gauges (refer to the illustrations below).



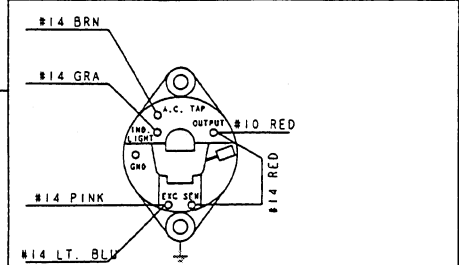
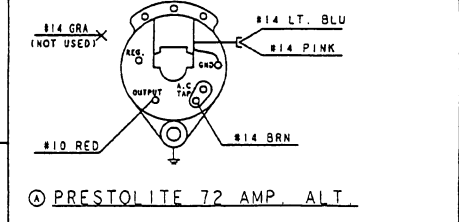
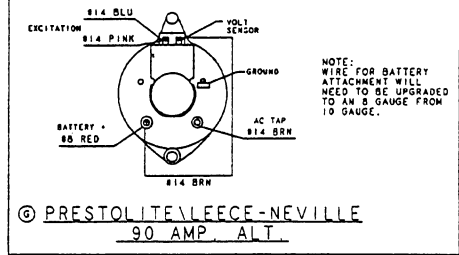
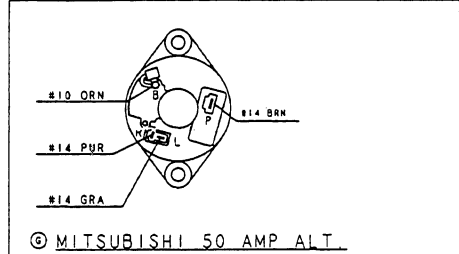
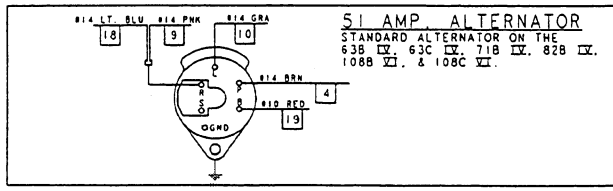
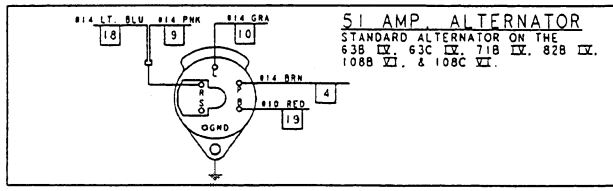
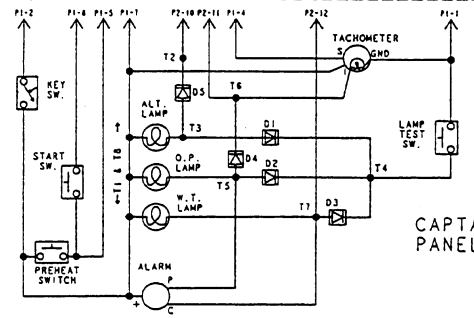
* **NOTE:** An on-off switch should be installed in this circuit to disconnect the starter from the battery in an emergency and when leaving the boat. Twelve volt diesel engine starters typically draw 200 to 300 amps when cranking. A switch with a continuous rating of 175 amps at 12 VDC will normally serve this function, but a switch must never be used to "make" the starter circuit.

DC ELECTRICAL SYSTEM

WIRING SCHEMATIC #39144

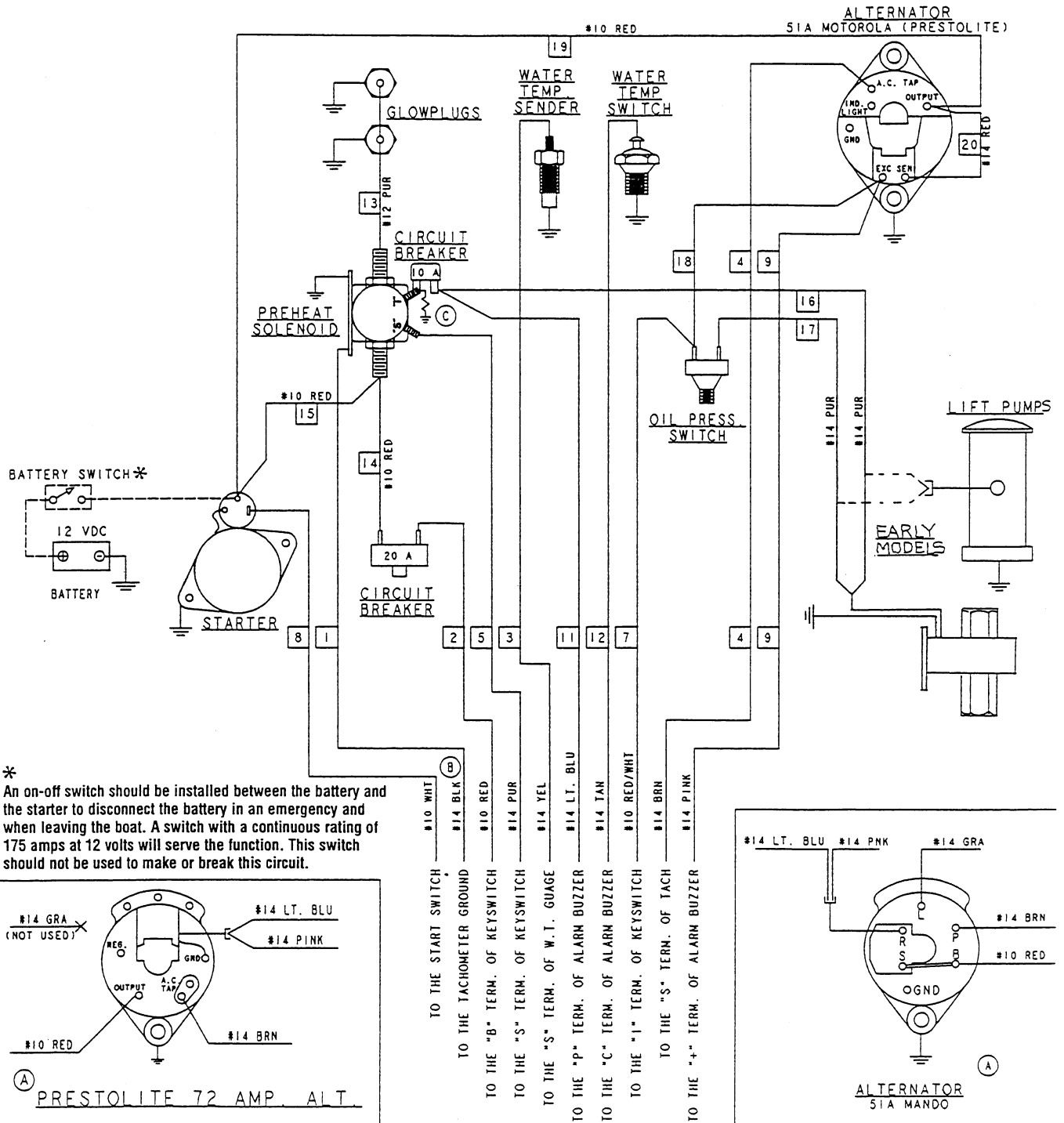


NOTE: An on-off switch should be installed in this circuit to disconnect the starter from the battery in an emergency and when leaving the boat. Twelve volt diesel engine starters typically draw 200 to 300 amps when cranking. A switch with a continuous rating of 175 amps at 12 VDC will normally serve this function, but a switch must never be used to "make" the starter circuit.



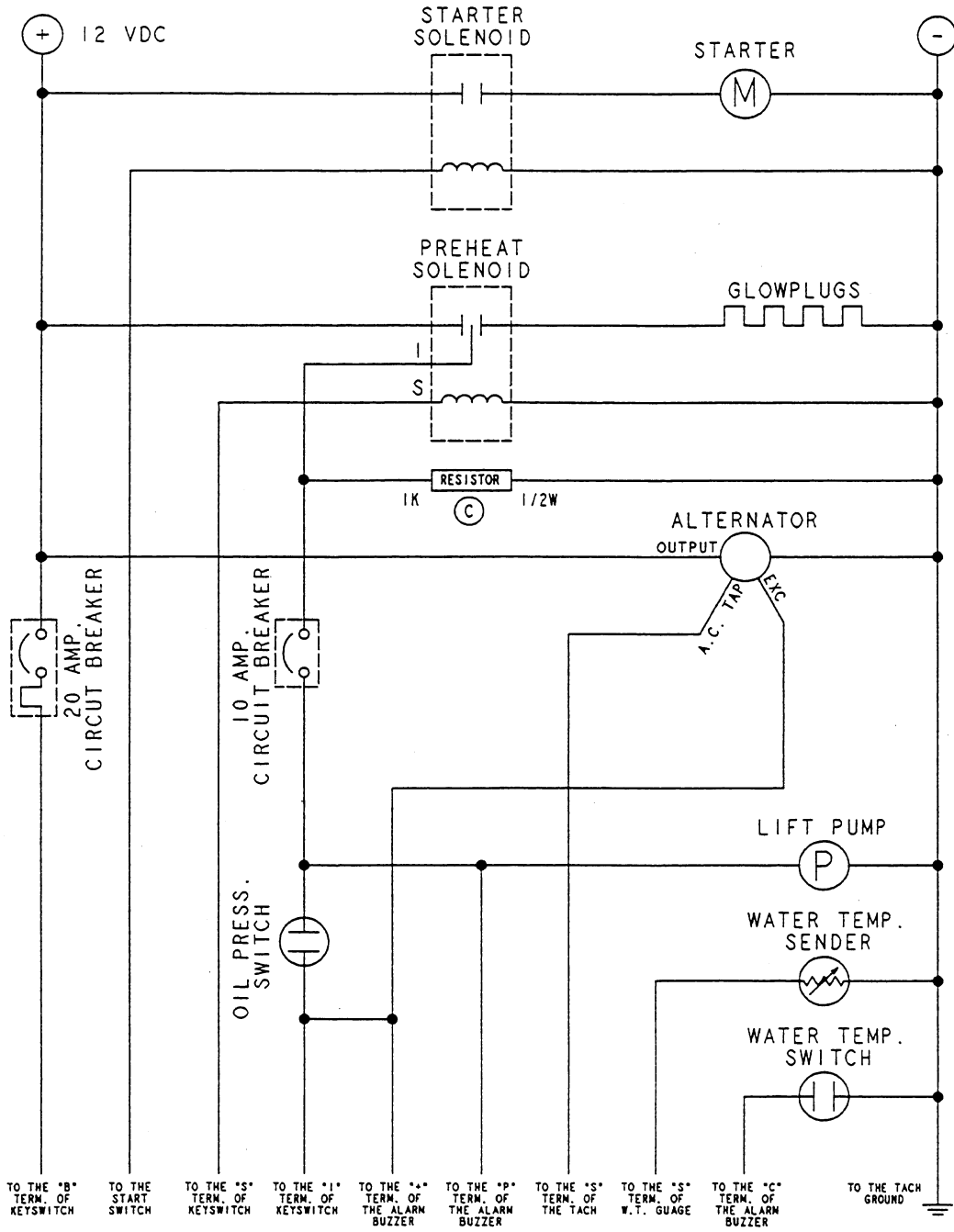
DC ELECTRICAL SYSTEM

WIRING DIAGRAM #200360 – CATALINA YACHTS



DC ELECTRICAL SYSTEM

WIRING SCHEMATIC #200360 – CATALINA YACHTS



HURTH HBW TRANSMISSION

DESCRIPTION

The boat-reversing gearbox of the *HURTH* Model HBW-50-2R is equipped with a positively driven, mechanically operated helical gearing system. The servo-operated multiple-disc clutch requires only minimum effort for gear changing, making this transmission suitable for single-lever remote control via rod linkage or a Bowden cable. This transmission permits direct reversing at full engine speed, important in an emergency.

The torque transmission capacity of the clutch is exactly rated, preventing shock loads from exceeding a predetermined value and thus insuring maximum protection of the engine. The gearbox casting is made of a high-strength corrosion-resistant aluminum alloy, chromized for improved sea water resistance and optimum adhesion of paint. The shafts are supported by heavy duty taper roller bearings and the gearbox is designed to take the axial propeller thrust. The rotation of the input shaft is right-hand (R).

This transmission is characterized by low weight and small overall dimensions. A high efficiency rating and low-noise operation are other prominent features. The transmission is immersion-lubricated. Maintenance is restricted to oil level checks.

Installation, operation, maintenance and troubleshooting information for this transmission is included in the following instructions.

INSTALLATION

NOTE: When installing the transmission, make certain that shifting is not impeded by restricted movability of the cable or rod linkage, by unsuitably positioned guide sheaves, too small a bending radius or other restrictions. In order to mount a support for shift control cable connections, use the two threaded holes located above the cable bracket mounted on the gear housing. Refer to the *UNIVERSAL* Parts List.

Shaft Coupling

UNIVERSAL recommends a flexible connection between the transmission and the propeller shaft if the engine is flexibly mounted, in order to compensate for angular deflections. The installation of a special propeller thrust bearing is not required, since the propeller thrust will be absorbed by the transmission bearing, provided the value specified under *SPECIFICATIONS* is not exceeded. However, the output shaft should be protected from additional loads. Special care should be taken to prevent torsional vibration. When using a universal joint shaft, make certain to observe the manufacturer's instructions.

Even with the engine solidly mounted, the use of a flexible coupling or *DRIVESAVER** will reduce stress in the gearbox bearings caused by hull distortions, especially in wooden boats or where the distance between the transmission output flange and the stern gland is less than about 32 in. (812 mm).

Shift Control and Actuating Lever

The transmission is suitable for single lever remote control. Upon loosening the retaining screw, the actuating lever can be moved to any position required for the shift control (cable or rod linkage). Make certain that the actuating lever does not contact the actuating lever cover plate: the minimum distance between lever and cover should be 0.02 in. (0.5 mm), (see illustration).

**DRIVESAVER* is a product of *Globe Marine, Rockland MA.*

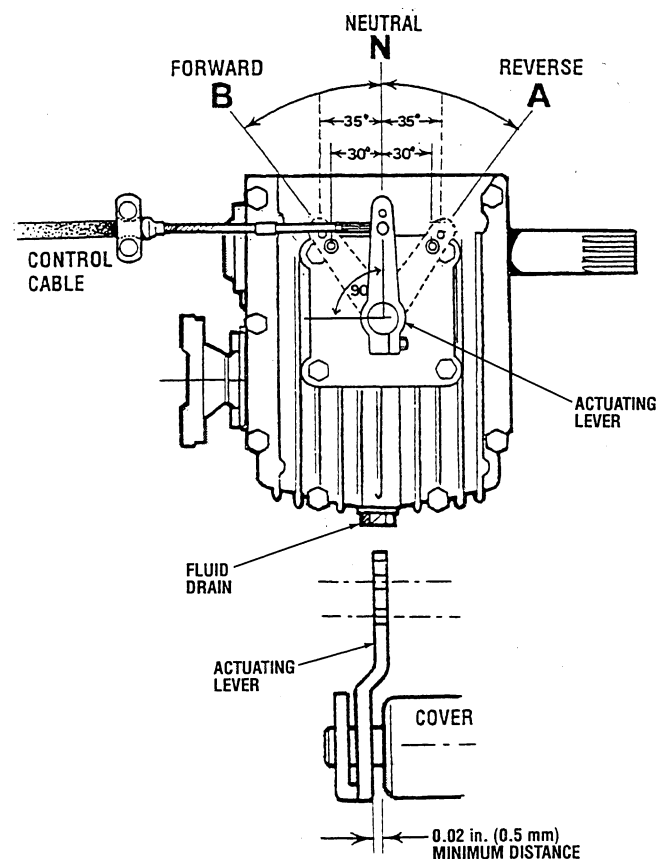
⚠ Caution: *The position of the mechanism behind the actuating lever is factory-adjusted to ensure equal actuating lever travel from Neutral position N to Reverse position A and Forward position B. If this mechanism is in any way tampered with, the transmission warranty will be void.*

The control cable, or rod, should be arranged at a right angle to the actuating lever when in the neutral position. The neutral position of the shift lever on the control console should coincide with the neutral position of the actuating lever.

The shifting travel, as measured at the pivot points of the actuating lever between the neutral position and end positions A and B, should be at least 35 mm for the outer pivot point and 30 mm for the inner pivot point.

A greater amount of shift lever travel is in no way detrimental and is recommended. However, if the lever travel is shorter, proper clutch engagement might be impeded which, in turn, would mean premature wear, excessive heat generation and clutch plate failure. This would be indicated by slow clutch engagement or no engagement at all.

NOTE: Check for proper actuating lever travel at least each season.

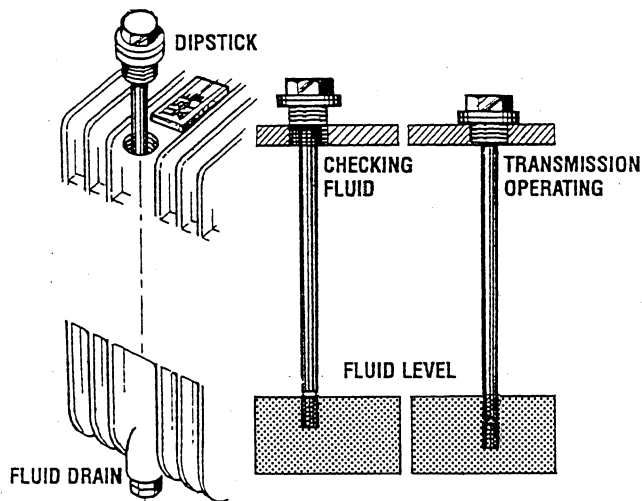


HURTH HBW TRANSMISSION

INITIAL OPERATION

All HBW main transmissions are test-run on a test stand with the engine at the factory prior to delivery. For safety reasons the fluid is drained before shipment.

Fill the gearbox with Automatic Transmission Fluid (DEXTRON III). The fluid level should be up to the index mark on the dipstick. To check the fluid level, just insert the dipstick, do not screw it in. Screw the dipstick into the case after the fluid level is checked, and tighten. Do not forget the sealing ring under the hexhead of the dipstick. Check for leaks and make a visual inspection of the coupling and shift cables.



FLUID CHANGE

Change the fluid for the first time after about 25 hours of operation, then every 300 operating hours or at winterizing.

Removing the Fluid

Push a suction pump hose down through the dipstick hole to the bottom of the housing and suck out the fluid. If space allows, use the transmission drain. Remove the drain plug from the bottom of the transmission and allow the fluid to drain into a container, then reinstall the plug with its sealing washer. Wipe down the transmission and properly dispose of the used fluid. After running the engine, shut down and recheck the fluid level.

Drain plug torque: 20 – 25 ft/lb (27.7 – 34.6 Nm)

NOTE: When changing the fluid, take care not to lose the drain plug sealing washer. The drain plug will leak without this sealing washer.

WARNING: Never pull out the dipstick while the engine is running. Hot fluid will splash from the dipstick hole. This could cause severe burns.

LOCKING THE PROPELLER

Locking of the propeller shaft by an additional brake is not required: use the gear shift lever position opposite your direction of travel for this purpose. Never put the gear shift in the position corresponding to the direction of travel of the boat.

WHEN UNDER SAIL OR BEING TOWED

Rotation of the propeller without a load, such as when the boat is being sailed, being towed, or anchored in a river, as well as operation of the engine with the propeller stopped (for charging the battery), will have no detrimental effects on the transmission.

DAILY OPERATION

- Check the transmission fluid level.
- Visually check the gear shift linkage and transmission.
- Start the engine in neutral, allowing a few minutes at idle to warm the fluid.
- Shift into gear.

NOTE: Too low an idle speed will produce a chattering noise from the transmission gear and damper plate. In such cases the idle speed should be increased.

For additional information refer to the following text in this Transmission section: *SHAFT COUPLINGS, MAINTENANCE, and TRANSMISSION TROUBLESHOOTING.*

Operating Temperature

WARNING: if the transmission fluid temperature is too high, stop the engine immediately and check the transmission fluid.

Normal operating temperature of the transmission fluid should be in the range of 122° F (50° C) to 212° F (100° C). A maximum temperature of 266° F (130° C) may be only reached for a short time.

Make certain there is enough space around the transmission to provide good ventilation and cooling.

SPECIFICATIONS

TRANSMISSION	
General	HURTH HBW-50-2R Standard Transmission, case hardened helical gears, with a servo-operated multiple disc clutch.
Gear Ratio (optional)	2.05:1
Lubricating Fluid	ATF- type A or DEXTRON - II or III
Transmission Sump Capacity	0.37 qts (0.35 liters)
Propeller Shaft Direction of Rotation	Right hand—standard transmission

HURTH HBW TRANSMISSION

MAINTENANCE

Transmission maintenance is minimal. Keep the exterior housing clean, check the fluid level as part of your regular routine, and change the fluid every 300 operating hours.

Periodically inspect the transmission for leaks and corrosion. Lubricate the cable connections.

Lay-up/Winterize

Storage requires special care. Follow these procedures.

- Clean up the transmission and touch up unpainted areas (use heat resistant paint).
- Fill the transmission with *Dextron III ATF* fluid to prevent internal corrosion (extended storage only, twelve months or more).
- Loosen attaching hardware from the transmission output flange and propeller shaft coupling flange before removing the boat from the water. Separate the flanges and spray with lubricant.
- Inspect the gear shift cable, linkage, and attachments. Look for corrosion of the end fittings, cracks or cuts in the conduit, and bending of the cable rods. Lubricate all moving parts.

NOTE: *If the transmission is to be stored for a long time (twelve months or more), it should be topped off with fluid to prevent internal corrosion. Reduce the fluid level before putting the engine back into service.*

For additional information contact:

HURTH MARINE GEAR
ZF Industries
Marine US Headquarters
3131 SW 42nd Street
Fort Lauderdale, FL 33312
Tel.: (954)581-4040
Fax.: (954)581-4077

HURTH HBW TRANSMISSION TROUBLESHOOTING

CONTROL CABLES

The majority of transmission difficulties arise as a result of problems with control cables rather than from problems with the transmission itself.

If you experience operating problems with the transmission, shut the engine down. First check the transmission fluid level, then have a helper move the cockpit shift lever through the full range — from neutral to full forward, back to neutral, into full reverse, and back to neutral — while you observe the actuating lever on the transmission. If the remote is stiff to operate, break the cable loose at the transmission and try again. If it is still stiff, check the cable for kinks or excessively tight bends, and check any linkage for binding.

A new cable and perhaps a new linkage mechanism may be needed. While the cable is loose, shift the transmission in and out of gear using the actuating lever on the side of the transmission to make sure there's no binding inside the case.

If the transmission passes these tests, crank the engine and have a helper put it in forward and reverse while you observe the propeller shaft; if the shaft isn't turning, the transmission needs professional attention. If it does turn but there's no thrust, check to see if you still have a propeller on the end of the shaft or, if you have a folding or feathering propeller, that it isn't stuck in the "no pitch" position.

NOTE: *If you suspect a major problem in your transmission, immediately contact your UNIVERSAL dealer or an authorized marine transmission facility.*

Problem	Probable Cause	Remedy
Transmission gears cannot be shifted. Fails to move into gear.	<ol style="list-style-type: none"> 1. Actuating lever is loose. 2. Shifting cable is broken, bent or unattached. Cable radius is too severe. 3. Actuating lever is binding against cover plate. 	<ol style="list-style-type: none"> 1. Tighten damping bolt on actuating lever. 2. Check the cable, reattach or replace. 3. Detach the shift cable and operate the actuating lever by hand. Clearance should be 0.02 in. (0.5 mm).
Transmission shifts into gear, but fails to propel the boat.	<ol style="list-style-type: none"> 1. Output coupling is not turning. 2. Propeller shaft is not turning. Output coupling is turning. 3. Output coupling and propeller shaft are both turning. 	<ol style="list-style-type: none"> 1. Transmission needs professional attention. 2. The coupling bolts are sheared or the coupling is slipping on the propeller shaft. Tighten or replace set screws, keys, pins and coupling bolts as necessary. 3. Inspect the propeller; it may be missing or damaged. A folding propeller may be jammed. A variable pitch propeller may be in "no pitch" position.
Delay of gear engagement or engages only after an increase in speed.	<ol style="list-style-type: none"> 1. Actuating lever travel N to B not equal to N to A. Refer to diagram. 2. Actuating lever travel is insufficient. 3. Actuating lever is binding against cover plate. 	<ol style="list-style-type: none"> 1. Adjust cover plate until the lever is exact mid position. Refer to actuating lever text and diagram. 2. Check actuating lever cable length. Refer to lever diagram. 3. Check clearance, adjust if necessary.
Chattering transmission noise, mainly at low engine speed.	<ol style="list-style-type: none"> 1. The engine or propeller generates torsional vibrations in the drive unit which produces a "chattering" noise in the transmission. 	<ol style="list-style-type: none"> 1. Mount a flexible coupling with another stiffness factor between the transmission coupling and the driveshaft. A higher stiffness factor might be sufficient. 2. Inspect the damper plate between the engine and the transmission. Replace if necessary.
Transmission noise becomes louder.	<ol style="list-style-type: none"> 1. Damage starting on flexible coupling due to wear or fatigue, possibly due to misalignment between engine and the drive shaft. 2. Beginning damage of bearings in transmission due to torsional vibrations, running without fluid, overload, wrong alignment of transmission, or excessive engine output. 	<ol style="list-style-type: none"> 1. Check alignment, inspect flexible coupling. If noise persists, inspect the damper plate between the transmission and the engine. Replace if necessary. 2. Transmission needs professional attention.
Boat fails to attain specified max. speed.	<ol style="list-style-type: none"> 1. Operating temperature is high. 	<ol style="list-style-type: none"> 1. Wrong type of fluid; use <i>ATF type A</i> or <i>DEXTRON II</i> or <i>III</i>. Check fluid level.
Oil leakage.	<ol style="list-style-type: none"> 1. Corrosion at radial sealing ring and shaft. Damaged sealing ring. 2. Misalignment of output flanges. 	<ol style="list-style-type: none"> 1. Transmission needs professional attention. 2. Check alignment. Must be within 0.003 in. (0.08 mm).

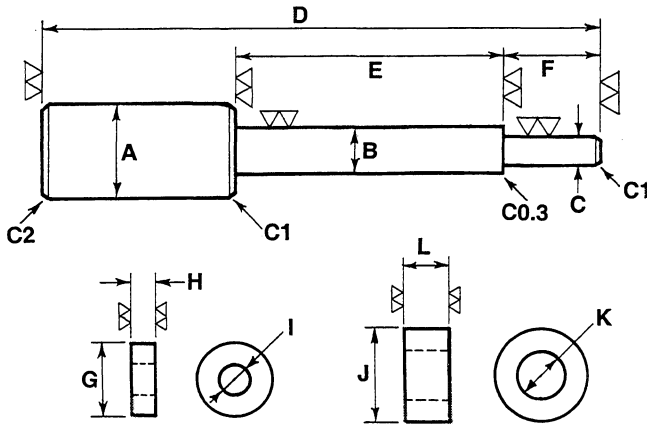
SPECIAL TOOLS

The special tools shown in this section are not provided. Use the following plans and specifications for field fabrication.

Valve Guide Replacing Tool

Application: Use to press out and to press fit the valve guide.

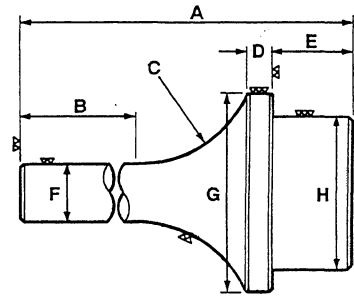
A	0.79 in. dia. (20 mm dia.)
B	0.3921 – 0.3929 in. dia. (9.96 – 9.98 mm dia.)
C	0.216 – 0.224 in. dia. (5.5 – 5.7 mm dia.)
D	7.87 in. (200 mm)
E	3.15 in. (80 mm)
F	1.58 in. (40 mm)
G	0.59 in. dia. (15 mm dia.)
H	0.197 in. (5 mm)
I	0.236 – 0.240 in. dia. (6.0 – 6.1 mm dia.)
J	0.71 in. dia. (18 mm dia.)
K	0.417 – 0.421 in. dia. (10.6 – 10.7 mm dia.)
L	0.276 in. (7 mm)
C1	Chamfer 0.039 in. (1.0 mm)
C2	Chamfer 0.079 in. (2.0 mm)
C0.3	Chamfer 0.012 in. (0.3 mm)



Crankshaft Bearing No. 1 Replacing Tool

Application: Use to press out and to press fit the crankshaft bearing No.1.

A	5.12 in. (130 mm)
B	2.56 in. (65 mm)
C	1.57 in. radius (40 mm radius)
D	0.39 in. (10 mm)
E	0.87 in. (22 mm)
F	0.79 in. dia. (20 mm dia.)
G	1.728 – 1.730 in. dia. (43.90 – 43.95 mm dia.)
H	1.570 – 1.572 in. dia. (39.90 – 39.95 mm dia.)
C1	Chamfer 0.039 in. (1.0 mm)
C2	Chamfer 0.079 in. (2.0 dia.)
C0.3	Chamfer 0.012 in. (0.3 mm)

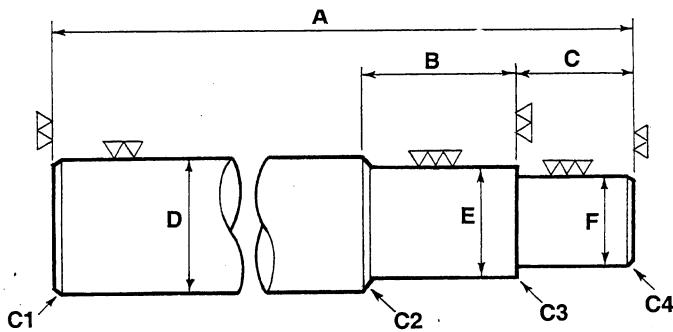


SPECIAL TOOLS

Connecting Rod Small End Bushing Tool

Application: Use to press out and to press fit the connecting rod small end bushing.

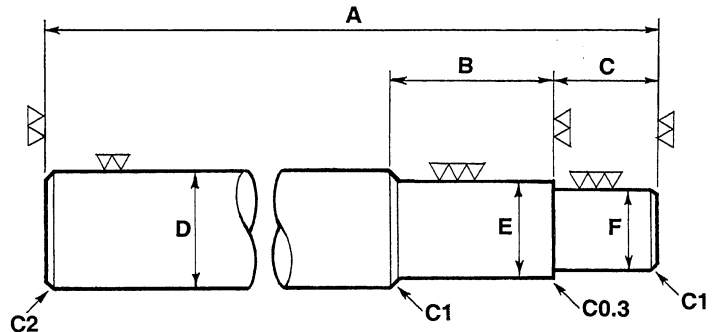
A	5.71 in. (145 mm)
B	0.98 in. (25 mm)
C	0.79 in. (20 mm)
D	0.98 in. dia. (25 mm dia.)
E	0.862 – 0.864 in. dia. (21.90 – 21.95 mm dia.)
F	0.783 – 0.785 in. dia. (19.90 – 19.95 mm dia.)
C1	Chamfer 0.039 in. (1.0 mm)
C2	Chamfer 0.079 in. (2.0 mm)
C3	Chamfer 0.118 in. (3.0 mm)
C4	Chamfer 0.157 in. (4.0 mm)



Idler gear Bushing Replacing Tool

Application: Use to press out and to press fit the idler gear bushing.

A	5.91 in. (150 mm)
B	1.18 in. (30 mm)
C	0.79 in. (20 mm)
D	0.98 in. dia. (25 mm dia.)
E	0.862 – 0.864 in. dia. (21.90 – 21.95 mm dia.)
F	0.783 – 0.785 in. dia. (19.90 – 19.95 mm dia.)
C1	Chamfer 0.039 in. (1.0 mm)
C2	Chamfer 0.079 in. (2.0 mm)
C0.3	Chamfer 0.012 in. (0.3 mm)



TORQUES

NOTE: Screws, bolts and nuts must be tightened to the specified torque using a torque wrench. Some screws, bolts and nuts such as those used on the cylinder head must be tightened in a certain sequence and at the proper torque.

Tightening Torques for Specific Engine Components

For “*” marked screws, bolts and nuts in the table, apply engine oil to their threads and seats before tightening.

COMPONENT	SIZE x PITCH	ft-lb	kg-m	Nm
* Cylinder head cover cap nuts	M6 x 1.0	2.9 – 4.3	0.4 – 0.6	3.9 – 5.9
* Cylinder head bolts	M8 x 1.25	28.9 – 32.5	4.0 – 4.5	39.2 – 44.1
* Main bearing case bolts 1	M6 x 1.0	9.4 – 11.6	1.3 – 1.6	12.7 – 15.7
* Main bearing case bolts 2	M7 x 1.0	19.5 – 22.4	2.7 – 3.1	26.5 – 30.4
* Flywheel bolts	M10 x 1.25	39.8 – 43.4	5.5 – 6.0	53.9 – 58.8
* Connecting rod bolts	M7 x 0.75	19.5 – 22.4	2.7 – 3.1	26.5 – 30.4
* Rocker arm bracket nuts	M6 x 1.0	7.23 – 8.32	1.00 – 1.15	9.81 – 11.28
* Idler gear shaft bolts	M6 x 1.0	7.23 – 8.32	1.00 – 1.15	9.81 – 11.28
* Crankshaft end bolt	M14 x 1.5	86.8 – 94.0	12.0 – 13.0	117.7 – 127.5
* Bearing case cover screws	M6 x 1.5	7.2 – 8.3	1.00 – 1.15	9.8 – 11.2
Glow plugs	M8 x 1.0	5.8 – 10.8	0.8 – 1.5	7.8 – 14.7
Nozzle holder assembly	M20 x 1.5	36.2 – 50.6	5.0 – 7.0	49.0 – 68.6
Oil switch taper screw	PT 1/8	10.8 – 14.5	1.5 – 2.0	14.7 – 19.6
Injection line retaining nuts	M12 x 1.5	18.1 – 25.3	2.5 – 3.5	24.5 – 34.3
Starter's terminal B mounting nut	M8	6.5 – 8.7	0.9 – 1.2	8.8 – 11.8

* Apply engine oil to threads and seats before tightening.

Tightening Torques for General Use Screws, Bolts and Nuts

When the tightening torques are not specified, tighten the screws, bolts and nuts according to the following table.

NOMINAL DIAMETER	STANDARD SCREW AND BOLT GRADE 4			SPECIAL SCREW AND BOLT GRADE 7		
	ft-lb	kg-m	Nm	ft-lb	kg-m	Nm
M6	5.8 – 6.9	0.8 – 0.95	7.9 – 9.3	7.23 – 8.32	1.0 – 1.15	9.8 – 11.3
M8	13.0 – 15.2	1.8 – 2.1	17.7 – 20.6	17.4 – 20.3	2.4 – 2.8	23.5 – 27.5
M10	28.9 – 33.3	4.0 – 4.6	39.2 – 45.1	35.4 – 41.2	4.9 – 5.7	48.1 – 55.9
M12	46.3 – 53.5	6.4 – 7.4	62.8 – 72.6	57.1 – 66.5	7.9 – 9.2	77.5 – 90.2

Screw and bolt material grades are shown by numbers punched on the screw and bolt heads. Prior to tightening, be sure to check the numbers as shown below.

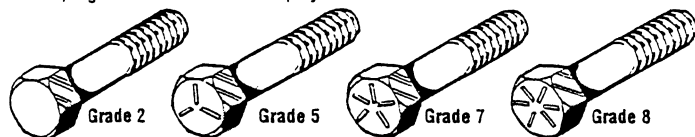
Punched Number	Screw and Bolt Material Grade
None or 4	Standard screw and bolt SS41, S20C
7	Special screw and bolt S43C, S48C (refined)

STANDARD HARDWARE

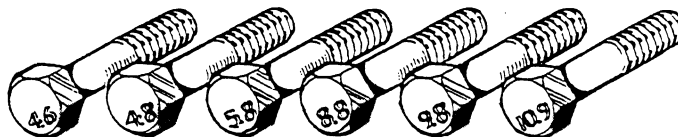
BOLT HEAD MARKINGS

Bolt strength classes are embossed on the head of each bolt.

Customary (inch) bolts are identified by markings two to grade eight (strongest). The marks correspond to two marks less than the actual grade, i.e.; a grade seven bolt will display five embossed marks.



Metric bolt class numbers identify bolts by their strength with 10.9 the strongest.



- NOTES:**
1. Use the torque values listed below when specific torque values are not available.
 2. These torques are based on clean, dry threads. Reduce torque by 10% when engine oil is used.
 3. Reduce torques by 30% or more, when threading capscrews into aluminum.

STANDARD BOLT & NUT TORQUE SPECIFICATIONS			
Capscrew Body Size (Inches) - (Thread)	SAE Grade 5 Torque Ft-Lb (Nm)	SAE Grade 6-7 Torque Ft-Lb (Nm)	SAE Grade 8 Torque Ft-Lb (Nm)
1/4 - 20 - 28	8 (11) 10 (14)	10 (14)	12 (16) 14 (19)
5/16 - 18 - 24	17 (23) 19 (26)	19 (26)	24 (33) 27 (37)
3/8 - 16 - 24	31 (42) 35 (47)	34 (46)	44 (60) 49 (66)
7/16 - 14 - 20	49 (66) 55 (75)	55 (75)	70 (95) 78 (106)
1/2 - 13 - 20	75 (102) 85 (115)	85 (115)	105 (142) 120 (163)
9/16 - 12 - 18	110 (149) 120 (163)	120 (163)	155 (210) 170 (231)
5/8 - 11 - 18	150 (203) 170 (231)	167 (226)	210 (285) 240 (325)
3/4 - 10 - 16	270 (366) 295 (400)	280 (380)	375 (508) 420 (569)
7/8 - 9 - 14	395 (536) 435 (590)	440 (597)	605 (820) 675 (915)
1 - 8 - 14	590 (800) 660 (895)	660 (895)	910 (1234) 990 (1342)

METRIC BOLT & NUT TORQUE SPECIFICATIONS					
Bolt Dia.	Wrench Size	Grade 4.6 Ft-Lb (Nm)	Grade 4.8 Ft-Lb (Nm)	Grade 8.8 - 9.8 Ft-Lb (Nm)	Grade 10.9 Ft-Lb (Nm)
M3	5.5 mm	0.3 (0.5)	0.5 (0.7)	1 (1.3)	1.5 (2)
M4	7 mm	0.8 (1.1)	1 (1.5)	2 (3)	3 (4.5)
M5	8 mm	1.5 (2.5)	2 (3)	4.5 (6)	6.5 (9)
M8	10 mm	3 (4)	4 (5.5)	7.5 (10)	11 (15)
M9	13 mm	7 (9.5)	10 (13)	18 (25)	35 (26)
M10	16 mm	14 (19)	18 (25)	37 (50)	55 (75)
M12	18 mm	26 (35)	33 (45)	63 (85)	97 (130)
M14	21 mm	37 (50)	55 (75)	103 (140)	151 (205)
M16	24 mm	59 (80)	85 (115)	159 (215)	232 (315)
M18	27 mm	81 (110)	118 (160)	225 (305)	321 (435)
M20	30 mm	118 (160)	166 (225)	321 (435)	457 (620)
M22	33 mm	159 (215)	225 (305)	435 (590)	620 (840)
M24	36 mm	203 (275)	288 (390)	553 (750)	789 (1070)
M27	41 mm	295 (400)	417 (565)	811 (1100)	1154 (1565)
M30	46 mm	402 (545)	568 (770)	1103 (1495)	1571 (2130)
M33	51 mm	546 (740)	774 (1050)	1500 (2035)	2139 (2900)
M36	55 mm	700 (950)	992 (1345)	1925 (2610)	2744 (3720)

SEALANTS & LUBRICANTS

GASKETS/SEALANTS

Oil based PERMATEX #2 and it's HIGH TACK equivalent are excellent all purpose sealers. They are effective in just about any joint in contact with coolant, raw water, oil or fuel.

A light coating of OIL or LIQUID TEFLON can be used on rubber gaskets and O-rings.

LOCTITE hydraulic red sealant should be used on oil adapter hoses and the oil filter assembly.

Coat both surfaces of the oil pan gasket with high temp RED SILICONE sealer.

When installing gaskets that seal around water (coolant) passages, coat both sides with WHITE SILICONE grease.

High-copper ADHESIVE SPRAYS are useful for holding gaskets in position during assembly.

Specialized gasket sealers such as HYLOMAR work well in applications requiring non-hardening properties. HYLOMAR is particularly effective on copper cylinder-head gaskets as it resists fuel, oil and water.

Use LIQUID TEFLON for sealing pipe plugs and fillings that connect coolant passages. **Do not use tape sealants!**

BOLTS & FASTENERS/ASSEMBLIES

Lightly oil head bolts and other fasteners as you assemble them. Bolts and plugs that penetrate the water jacket should be sealed with PERMATEX #2 or HIGH TACK.

When assembling the flywheel, coat the bolt threads with LOCTITE blue.

Anti-seize compounds and thread locking adhesives such as LOCTITE protect threaded components yet allows them to come apart when necessary. LOCTITE offers levels of locking according to the job.

LITHIUM based grease is waterproof, ideal for water pump bearings and stuffing boxes.

Heavily oil all sliding and reciprocating components when assembling. **Always use clean engine oil!**

METRIC CONVERSIONS

INCHES TO MILLIMETERS

MILLIMETERS TO INCHES

Inches	mm	Inches	mm	mm	Inches	mm	Inches
1	25.40	15	381.00	1	0.0394	15	0.5906
2	50.80	20	508.00	2	0.0787	20	0.7874
3	76.20	25	635.00	3	0.1181	25	0.9843
4	101.60	30	762.00	4	0.1575	30	1.1811
5	127.00	35	889.00	5	0.1969	35	1.3780
10	254.00	40	1016.00	10	0.3937	40	1.5748

10 MILLIMETERS = 1 CENTIMETER, 100 CENTIMETERS = 1 METER = 39.37 INCHES (3.3 FEET)

INCHES TO METERS

METERS TO INCHES

Inches	Meters	Inches	Meters	Meters	Inches	Meters	Inches
1	0.0254	7	0.1778	0.1	3.937	0.7	27.559
2	0.0508	8	0.2032	0.2	7.874	0.8	31.496
3	0.0762	9	0.2286	0.3	11.811	0.9	35.433
4	0.1016	10	0.2540	0.4	15.748	1.0	39.370
5	0.1270	11	0.2794	0.5	19.685	1.1	43.307
6	0.1524	12	0.3048	0.6	23.622	1.2	47.244

TO CONVERT METERS TO CENTIMETERS, MOVE DECIMAL POINT TWO PLACES TO THE RIGHT

YARDS TO METERS

METERS TO YARDS

Yards	Meters	Yards	Meters	Meters	Yards	Meters	Yards
1	0.91440	6	5.48640	1	1.09361	6	6.56168
2	1.82880	7	6.40080	2	2.18723	7	7.65529
3	2.74320	8	7.31520	3	3.28084	8	8.74891
4	3.65760	9	8.22960	4	4.37445	9	9.84252
5	4.57200	10	9.14400	5	5.46807	10	10.93614

MOVE DECIMAL POINT FOR HIGHER VALUES — e.g. 6,000 METERS = 6,561.68 YARDS

POUNDS TO KILOGRAMS

KILOGRAMS TO POUNDS

lb	kg	lb	kg	kg	lb	kg	lb
1	0.454	6	2.722	1	2.205	6	13.228
2	0.907	7	3.175	2	4.409	7	15.432
3	1.361	8	3.629	3	6.614	8	17.637
4	1.814	9	4.082	4	8.818	9	19.842
5	2.268	10	4.536	5	11.023	10	22.046

GALLONS TO LITERS

LITERS TO GALLONS

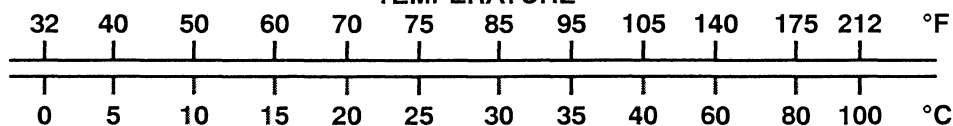
Gallons	Liters	Gallons	Liters	Liters	Gallons	Liters	Gallons
1	3.79	10	37.86	1	0.26	60	15.66
2	7.57	20	75.71	2	0.53	90	23.77
3	11.36	30	113.57	5	1.32	120	31.32
4	15.14	40	151.42	10	2.64	150	39.62
5	18.93	50	189.28	20	5.28	180	47.54

PINTS TO LITERS

LITERS TO PINTS

Pints	Liters	Pints	Liters	Liters	Pints	Liters	Pints
1	0.47	6	2.84	1	2.11	6	12.68
2	0.95	7	3.31	2	4.23	7	14.79
3	1.42	8	3.79	3	6.34	8	16.91
4	1.89	9	4.26	4	8.45	9	19.02
5	2.37	10	4.73	5	10.57	10	21.13

TEMPERATURE



STANDARD AND METRIC CONVERSION DATA

LENGTH-DISTANCE

Inches (in) x 25.4 = Millimeters (mm) x .0394 = Inches
Feet (ft) x .305 = Meters (m) x 3.281 = Feet
Miles x 1.609 = Kilometers (km) x .0621 = Miles

VOLUME

Cubic Inches (in³) x 16.387 = Cubic Centimeters x .061 = in³
Imperial Pints (IMP pt) x .568 = Liters (L) x 1.76 = IMP pt
Imperial Quarts (IMP qt) x 1.137 = Liters (L) x .88 = IMP qt
Imperial Gallons (IMP gal) x 4.546 = Liters (L) x .22 = IMP gal
Imperial Quarts (IMP qt) x 1.201 = US Quarts (US qt) x .833 = IMP qt
Imperial Gallons (IMP gal) x 1.201 = US Gallons (US gal) x .833 = IMP gal
Fluid Ounces x 29.573 = Milliliters x .034 = Ounces
US Pints (US pt) x .473 = Liters(L) x 2.113 = Pints
US Quarts (US qt) x .946 = Liters (L) x 1.057 = Quarts
US Gallons (US gal) x 3.785 = Liters (L) x .264 = Gallons

MASS-WEIGHT

Ounces (oz) x 28.35 = Grams (g) x .035 = Ounces
Pounds (lb) x .454 = Kilograms (kg) x 2.205 = Pounds

PRESSURE

Pounds Per Sq In (psi) x 6.895 = Kilopascals (kPa) x .145 = psi
Inches of Mercury (Hg) x .4912 = psi x 2.036 = Hg
Inches of Mercury (Hg) x 3.377 = Kilopascals (kPa) x .2961 = Hg
Inches of Water (H₂O) x .07355 = Inches of Mercury x 13.783 = H₂O
Inches of Water (H₂O) x .03613 = psi x 27.684 = H₂O
Inches of Water (H₂O) x .248 = Kilopascals (kPa) x 4.026 = H₂O

TORQUE

Pounds-Force Inches (in-lb) x .113 = Newton Meters (Nm) x 8.85 = in-lb
Pounds-Force Feet (ft-lb) x 1.356 = Newton Meters (Nm) x .738 = ft-lb

VELOCITY

Miles Per Hour (MPH) x 1.609 = Kilometers Per Hour (KPH) x .621 = MPH

POWER

Horsepower (Hp) x .745 = Kilowatts (Kw) x 1.34 = MPH

FUEL CONSUMPTION

Miles Per Hour IMP (MPG) x .354 = Kilometers Per Liter (Km/L)
Kilometers Per Liter (Km/L) x 2.352 = IMP MPG
Miles Per Gallons US (MPG) x .425 = Kilometers Per Liter (Km/L)
Kilometers Per Liter (Km/L) x 2.352 = US MPG

TEMPERATURE

Degree Fahrenheit (°F) = (°C X 1.8) + 32
Degree Celsius (°C) = (°F - 32) x .56

INDEX

Adapter Plate.....	22	Engine (Continued)	
Admiral Control Panel.....	67, 100	Reassembly.....	21, 22
Air Intake Silencer.....	23	Service.....	31
Alternator.....	23	Specifications.....	4
Alarm Light.....	68	Troubleshooting.....	7
Mando.....	78	Exhaust Manifold.....	22, 48
Prestolite.....	88	Flywheel.....	20, 22, 29
Alternator Bracket.....	23	Fuel Camshaft.....	20, 27
Anode, Zinc.....	55	Fuel System	
Back Plate.....	22	Description.....	58
Bearing Case Cover.....	30	Disassembly.....	63
Bellhousing.....	22	Filter.....	60
Belt Adjustment.....	46	Injection Nozzle.....	60, 63, 64
Camshaft.....	20, 25, 37, 38, 39	Injection Pump.....	58, 63, 65
Captain Control Panel.....	68, 100	Injectors.....	24, 58, 64
Compression Test.....	6, 45	Lift Pump.....	26, 58, 60
Connecting Rod.....	20, 27, 28, 29, 35, 36, 37	Reassembly.....	63
Control Panel – Admiral.....	67, 100	Return Lines.....	24, 58
Control Panel – Captain.....	68, 100	Service.....	64
Control Panel Troubleshooting.....	70	Gear Case.....	26
Coolant Pump.....	54, 57	Gears.....	27
Coolant Recovery Tank.....	55	Glow Plug.....	71
Cooling System		Governor.....	61
Description.....	54	Heat Exchanger.....	22, 55
Service.....	56	Hourmeter.....	67, 69
Crankcase Breather Hose.....	23	Hurth HBW Transmissions.....	104
Crankshaft.....	19, 29, 30, 39, 40	Idler Gear Bushing.....	39
Crankshaft Bearing No. 1.....	42	Idler Gear.....	27, 38
Crankshaft Gears.....	27	Idler Gear Shaft.....	39
Cylinder.....	43	Idle Speed Adjustment.....	47, 69
Cylinder Block.....	18	Injection Pump.....	25, 58, 63
Cylinder Head.....	18, 23, 24, 31	Intake Manifold.....	23
Cylinder Head Bolts.....	44	Key Switch.....	67, 68
Cylinder Head Cover.....	23	Lubrication System	
Cylinder Head Distortion.....	31	Description.....	49
Damper Plate.....	22	Service.....	52
DC Electrical System.....	100	Main Bearing Case Assembly.....	30
DC Voltmeter.....	67	Mando Alternator Service.....	78
Drive Belt Adjustment.....	46	Metric Conversions.....	112, 113
Drive Pulley.....	26	Nozzle Holder Assembly.....	23, 60, 64
Engine		Oil	
Adjustments.....	44	Filter.....	51
Description.....	18	Pan.....	27, 28
Disassembly.....	21, 22	Pan Filter.....	28
Overhaul.....	2	Pressure.....	45, 52
Parts Identification.....	3	Pressure Alarm.....	67, 68

(continued)

INDEX

Oil (Continued)	
Pressure Gauge.....	67, 70
Pressure Sender.....	52, 100
Pressure Switch.....	51, 52, 100
Pump.....	27, 50, 53
Strainer.....	27, 28
Oil Clearance	
Camshaft Journal.....	37
Crankpin – Crankpin Bearing.....	40
Crankshaft Journal – Crankshaft Bearing No. 1.....	41
Crankshaft Journal –	
Crankshaft Bearings No. 2 & No. 3.....	42
Idle Gear Shaft – Idle Gear Bushing.....	39
Piston Pin – Connecting Rod Small End Bushing.....	35
Rocker Arm Shaft – Bearing.....	35
Tappet – Tappet Guide Bore.....	35
Parts Identification.....	3
Piston and Piston Rings.....	19, 27, 28, 29, 35, 36
Preheat Button.....	67, 68
Prestolite Alternator Service.....	88
Pumps	
Coolant.....	25, 54, 57
Fuel Lift.....	26, 58, 60
Injection.....	58, 63, 65
Oil.....	27, 50, 53
Raw Water.....	54
Push Rod.....	24, 35
Raw Water Pump.....	54, 56
Relief Valve.....	50
Rocker Arm and Shaft.....	20, 24, 35
RPM Gauge.....	67, 68
Sealants and Lubricants.....	111
Service Standards.....	15
Special Tools.....	108
Specifications.....	4
Speed Control Plate.....	25
Standard Hardware.....	111
Start Button.....	67, 68
Starter Motor.....	22, 30, 72
Starter Service.....	72
Tachometer.....	47, 67, 68, 69
Tappets.....	25, 35
Test Button.....	68
Testing for Overhaul.....	6
Thermostat.....	23, 54, 56, 100
Timing Gears.....	25, 37
Top Clearance.....	44
Torques	
Standard Hardware.....	110, 111
Universal Engine.....	110
Transmission – Hurth HBW.....	22, 104
Damper Plate.....	22
Removal.....	22
Specifications.....	105
Troubleshooting.....	107
Troubleshooting	
Control Panel.....	70
Engine.....	7
Transmission.....	107
Valves.....	23, 25, 31
Clearance Adjustment.....	44
Guide.....	32
Lapping.....	33
Recession.....	31
Seating.....	33
Spring.....	34
Stem to Valve Guide Clearance.....	32
Timing.....	20
Water Temperature	
Alarm.....	67, 68
Gauge.....	67, 70
Sender.....	23, 54, 100
Switch.....	23, 54
Wiring Diagrams/Schematics	
Wiring Diagram #39144.....	100
Wiring Schematic #39144.....	101
Wiring Diagram #200360 – Catalina Yachts.....	102
Wiring Schematic #200360 – Catalina Yachts.....	103
Zinc Anode.....	55

